

THIS DRAWING IS UNPUBLISHED.

RELEASED FOR PUBLICATION

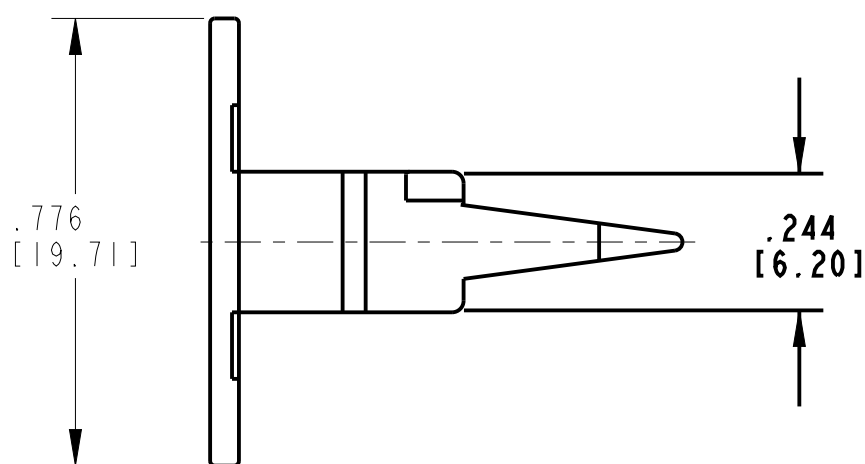
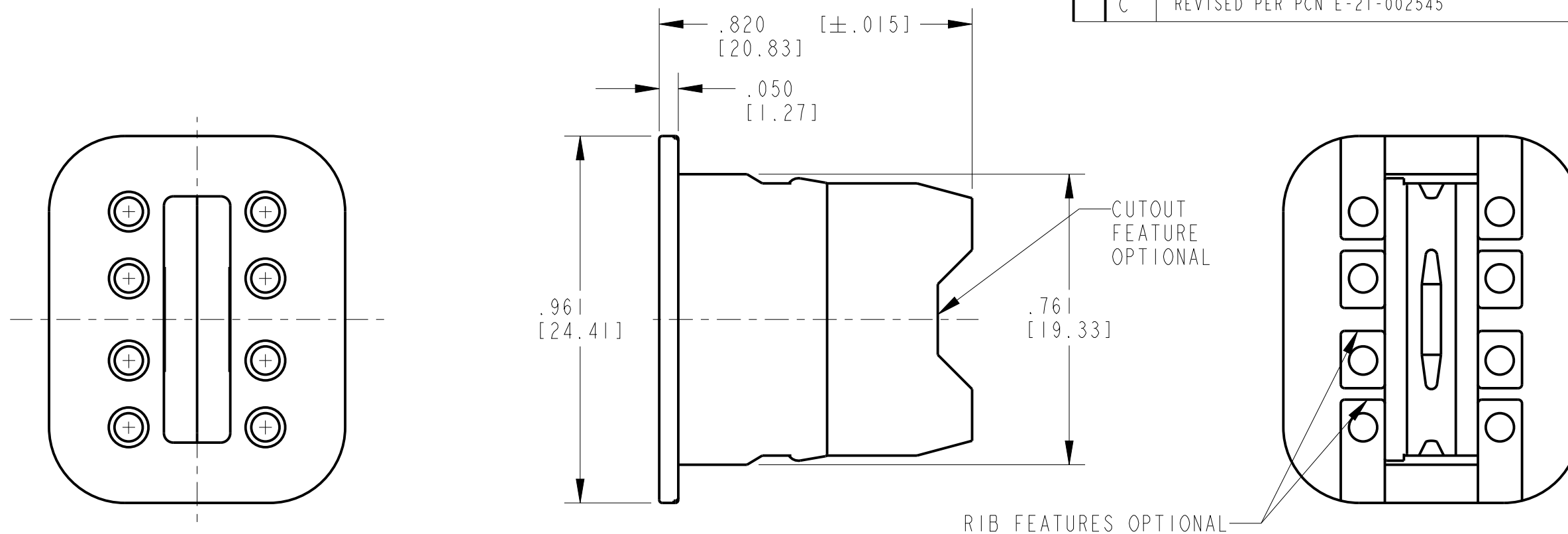
20

LOC - DIST -

REVISIONS

© COPYRIGHT 2021 TE Connectivity. All Rights Reserved. ALL RIGHTS RESERVED.

P	LTR	DESCRIPTION	DATE	DWN	APVD
	NC	NEW RELEASE PER E.O. A6889	10/9/87		JA
	A	REVISED PER E.O. A09299	2/12/90		JA
	B	REVISED PER E.O. P17509	11-28-01		RDR
	C	REVISED PER PCN E-21-002545	6/1/21	RLM	IG



1. USED WITH DT06-08SX-XXXX PLUG
 (X = A,B,C,D, KEY; XXXX = ALL MODIFICATIONS).
 CONSULT FACTORY FOR APPLICATION.

THIS DRAWING IS A CONTROLLED DOCUMENT.		DWN X. SANCHEZ 08NOV01	TE TE Connectivity	
DIMENSIONS: INCH [mm]		CHK A. ROLINSKI 11/26/01		
TOLERANCES UNLESS OTHERWISE SPECIFIED:		APVD S. BEARD 11-26-01	NAME WEDGE LOCK 8 WAY PLUG DT SERIES	
0 PLC ±-		PRODUCT SPEC 108-151009	RESTRICTED TO -	
1 PLC ±-		APPLICATION SPEC 114-151009	SIZE A3	CAGE CODE 4AFU8
2 PLC ±-		WEIGHT 1.8 G	DRAWING NO C=W8S	REV C
3 PLC ±.025[.064]		CUSTOMER DRAWING	SCALE 3:1	SHEET 1 OF 1
4 PLC ±-				
ANGLES ±-0°30'0"				
MATERIAL PBT GF30 ORANGE	FINISH			