

REVISIONS

P	LTR	DESCRIPTION	DATE	DWN	APVD
A		INITIAL RELEASE OF DWG PER ECO-19-005706	4/10/2019	J.B.	T.L.

RAYCHEM RP-4800 Tubing SCD

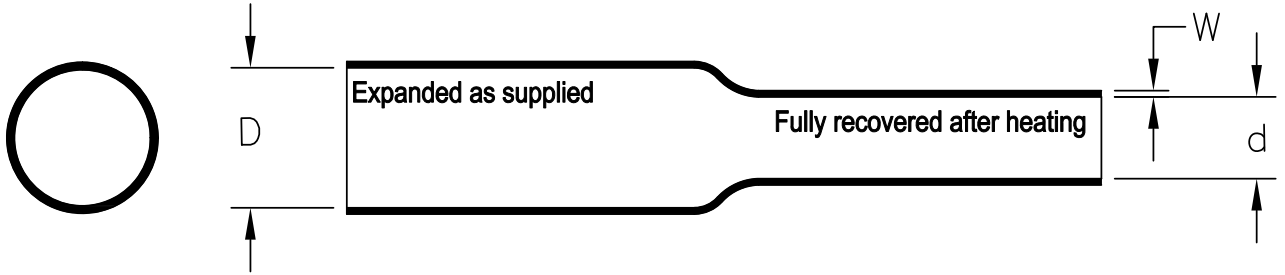



Table 1: Dimensions mm(*inches*)

Size	As Supplied		As Recovered							
	Inside Diameter		Inside Diameter		Wall Thickness					
	Minimum		Maximum		Minimum		Maximum		Nominal	
	mm.	<i>in.</i>	mm.	<i>in.</i>	mm.	<i>in.</i>	mm.	<i>in.</i>	mm.	<i>in.</i>
RP-4800-1	25.40	1.000	6.99	0.275	0.96	0.038	1.32	0.052	1.14	0.045
RP-4800-2	50.80	2.000	13.97	0.550	0.96	0.038	1.32	0.052	1.14	0.045
RP-4800-3	76.20	3.000	20.57	0.810	0.96	0.038	1.32	0.052	1.14	0.045
RP-4800-4	101.60	4.000	26.67	1.050	0.96	0.038	1.32	0.052	1.14	0.045
RP-4800-5	25.40	1.000	11.74	0.462	0.96	0.038	1.32	0.052	1.14	0.045
RP-4800-6	60.33	2.375	17.27	0.680	0.96	0.038	1.32	0.052	1.14	0.045
RP-4800-7	76.20	3.000	21.34	0.840	0.96	0.038	1.32	0.052	1.14	0.045
RP-4800-8	95.25	3.750	23.62	0.930	0.96	0.038	1.32	0.052	1.14	0.045
RP-4800-9	114.30	4.500	36.83	1.450	0.96	0.038	1.32	0.052	1.14	0.045
RP-4800-10	38.10	1.500	9.53	0.375	0.96	0.038	1.32	0.052	1.14	0.045
RP-4800-11	19.05	0.750	4.57	0.180	0.96	0.038	1.32	0.052	1.14	0.045

**Color:** Standard Black  
 Non-Standard White, Red, Blue, Yellow, Brown, Orange, Green, Violet and Gray

Reference Specification 108-120032

THIS DRAWING IS UNPUBLISHED. ALL RIGHTS RESERVED. © COPYRIGHT 2019 TE Connectivity Ltd.

DIMENSIONS: INCHES	DWN J. Bitter	12-Mar-2019	MATERIAL	-	FINISH	-		
	CHK T. Licko	-	 TE Connectivity Ltd.					
TOLERANCES UNLESS OTHERWISE SPECIFIED:  0 PLC ± - 1 PLC ± - 2 PLC ± - 3 PLC ± - 4 PLC ± - ANGLES ± -	APVD T. Licko	-					NAME RAYCHEM RP-4800 TUBING SCD	
	PRODUCT SPEC	TEC-108-120032	SIZE	A4	CAGE CODE	06090		
	APPLICATION SPEC	-	DRAWING NO	C= RP-4800		RESTRICTED TO	A	
	WEIGHT	-	CUSTOMER DRAWING				SCALE	1:1
					SHEET	1 OF 1	REV	A