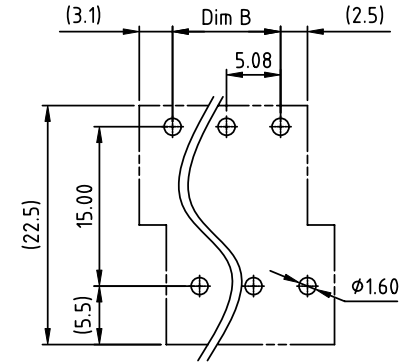
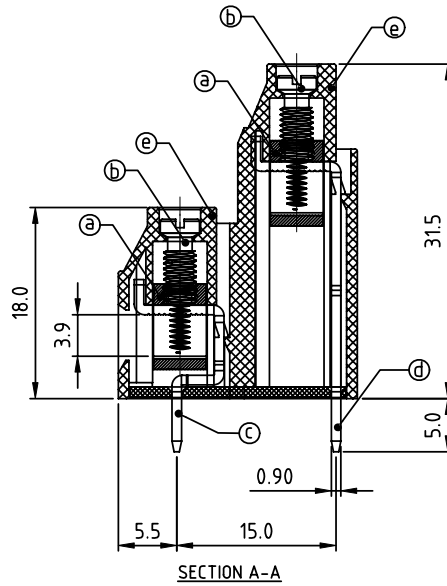
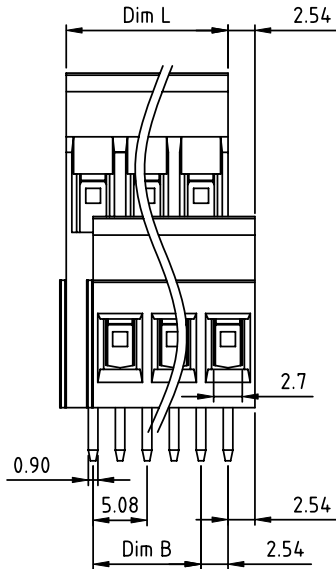
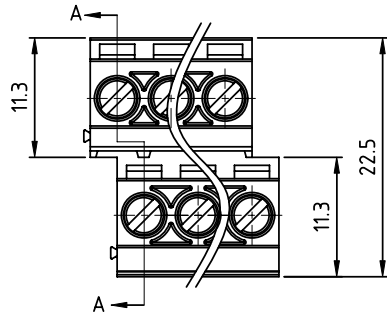


PRODUCT NUMBER	PITCH
EBxx21x000J0G	5.08 mm



RECOMMENDED P.C.B LAYOUT  
TOP VIEW

Material

- Item (a) Clamp: Brass, Ni plated
  - Item (b) Terminal screw: Steel Zinc plating "-" slot type
  - Item (c) Solder pin1: Brass, Tin plated
  - Item (d) Solder pin2: Brass, Tin plated
  - Item (e) Terminal housing: Thermoplastic (UL94V-0)
- Electrical cULus
- Voltage rating: 300VAC
  - Current rating: 20A
  - Wire range:
  - Solid wire(AWG): 12-22
  - Stranded wire(AWG): 12-22
  - Torque(Lb-In): 4.3
  - Screw: M3
  - Wire strip length: 6-7mm
  - Withstanding Voltage: 1.6KV
  - Operating temperature: -40°C to +115°C
  - Soldering temperature: 260°C±5°C/5 Sec
  - Safety Approval:

DIMENSION

Dim L	N/2x5.08
Dim B	(N/2-1)x5.08

N=Number of poles

Poles	Tolerance
2x2p~2x5p	±0.15
2x6p~2x10p	±0.20
2x11p~2x15p	±0.25
2x16p~2x20p	±0.30
2x21p~2x24p	±0.35

PART NO.: EB xx 2 1 x 0 00J0 G

	End stackable	No. of poles	Color	RoHS compliant
0	Black (RAL9005)			lead<4% In copper Alloy
2	Red (RAL3001/D)			
3	Orange(RAL2011/P)			
4	Yellow(RAL1018/A)			
5	Green(RAL6018/T)			
6	Blue (RAL5015/A)			
8	Grey(RAL7035/D)			
9	White(RAL1102)			
C	Green(RAL6018/U)			

mat'l. code		surface ASME Y14.5	tolerance ASME Y14.5	projection	product family TERMINAL BLOCK				
ltr	ecn no	dr	date	 MM scale	title TERMINAL BLOCK RISING CLAMP,180D WIRE INLET,END STACKABLE,INTERLACE sheet 1 of 1 size A4				
tolerances unless otherwise specified		angles	<table border="1"> <tr> <td>0</td> <td>X.±0.5</td> </tr> <tr> <td>1</td> <td>X.X±0.3</td> </tr> <tr> <td>2</td> <td>X.XX±0.1</td> </tr> </table>			0	X.±0.5	1	X.X±0.3
0	X.±0.5								
1	X.X±0.3								
2	X.XX±0.1								
dr	ENGR	chr	appd		dwg no EBxx21x000J0G type CUSTOMER Drawing				
EVIN ZHONG	041114	HANKE FENG	SHI JUN						
sheet index	revision sheet	A	1						