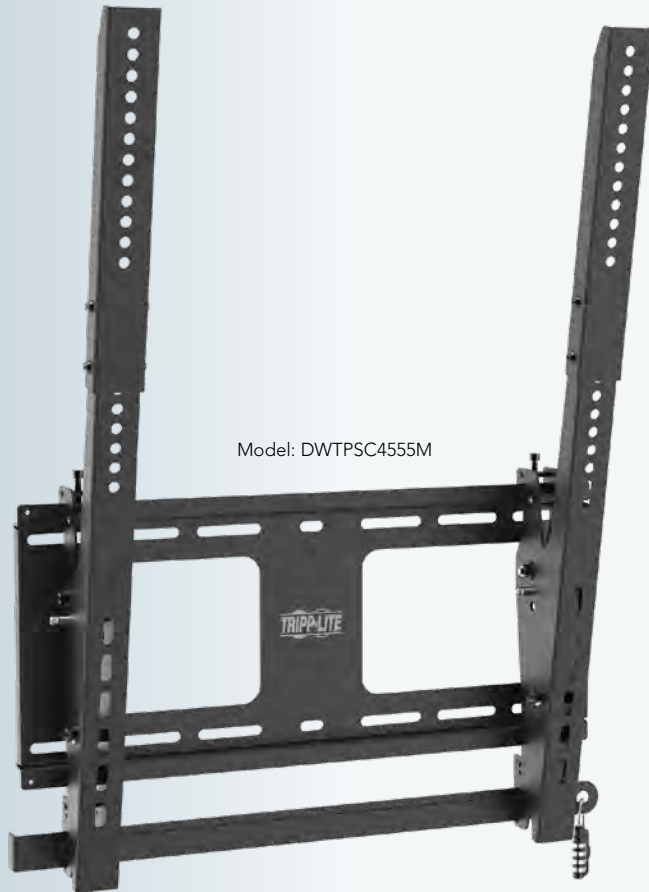




NEW PRODUCT ANNOUNCEMENT

Portrait Security Wall Mounts

Efficiently Use Wall Space and Deter Theft of Vertically Mounted Displays



Included combination lock secures the solid steel security bar.

Make efficient use of vertical space with Tripp Lite's new portrait security wall mounts. The mounts support flat-panel monitors and televisions in a portrait orientation, which takes advantage of vertical wall space on columns and in small areas. Mounting displays vertically also makes menus, directories, transportation schedules and similar types of lists easier to read.

Special security features help protect displays that are vulnerable to theft, especially in public areas. A solid steel security bar and the included combination lock work together to secure the vertical brackets to the wall plate. The security bar slides through the brackets, and the lock prevents easy removal of the bar and the display.

Key Benefits

SPACE OPTIMIZATION

- Portrait mounting efficiently uses vertical wall space, allowing installation in areas where horizontally mounted displays do not fit.

VIEW OPTIMIZATION

- Portrait-oriented displays clearly communicate menus, directories, schedules and other types of lists in digital signage applications.
- Mounts accommodate flat-panel displays up to 55 inches (DWTPSC4555M) or 70 inches (DWFPS4570M).
- DWTPSC4555M has three tilt settings to minimize glare and improve viewing angles.

THEFT DETERRENCE

- Heavy-duty steel construction with a powder-coated finish offers ruggedness and durability.
- Solid steel security bar and four-position combination lock deter theft of the display and consequential damage to the mount.

EASY INSTALLATION

- Brackets are compatible with VESA mounting hole patterns on displays.
- Open frame provides access to cables.
- DWFPS4570M has a bubble level for easy alignment.
- Mounting hardware is included.

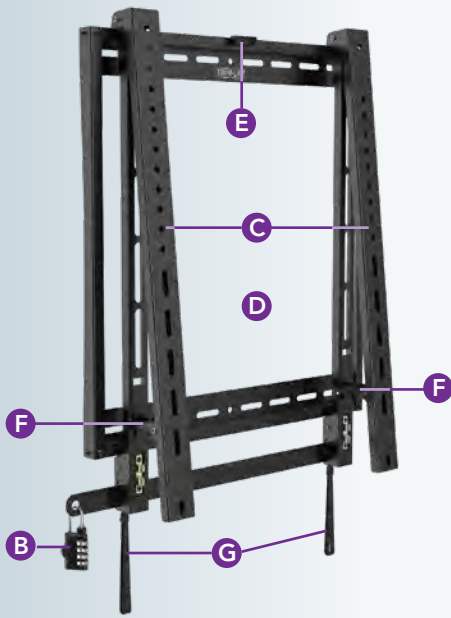
PROFESSIONAL APPEARANCE

- The security features are hidden behind the display, maintaining a polished look.

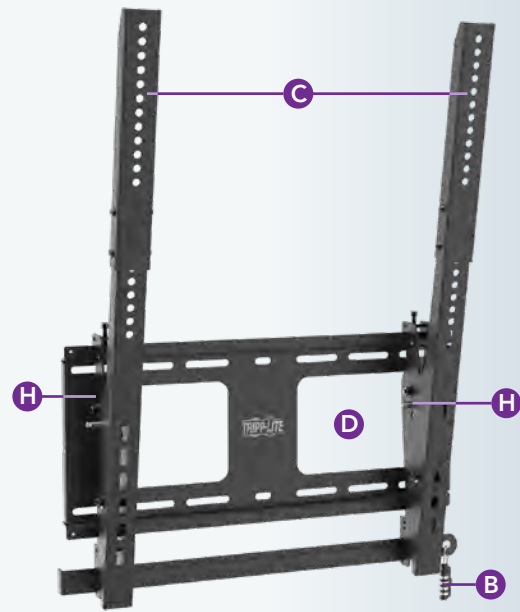
Perfect for:

Displaying menus, directories and schedules in bars, restaurants, hotels, shopping malls, libraries, schools, hospitals and airports.

Feature Focus



Model: DWFPSC4570M



Model: DWTPSC4555M

A Portrait Orientation

These wall mounts support displays in a vertical orientation.

B Security Bar and Combination Lock

The included combination lock helps prevent removal of the solid steel security bar.



C VESA-Compliant Brackets

The brackets are compatible with mounting hole patterns on VESA-compliant displays.

D Open Frame

An open frame design provides easy access to cables.

E Bubble Level (DWFPSC4570M)

The bubble level aids alignment during installation.



F Kickstands (DWFPSC4570M)

The kickstands angle the display during installation of the security bar.

G Safety Straps (DWFPSC4570M)

The straps provide easy release of the brackets from the wall plate when the security bar is removed.

H Tilt Adjustment (DWTPSC4555M)

Three-position tilt adjustment minimizes glare and improves viewing angles, especially where the audience is below the display.

SPECIFICATIONS



Model	DWFPSC4570M	DWTPSC4555M
Motion	Fixed	Tilt
Supported Screen Sizes	45 to 70 in. (114 to 178 cm)	45 to 55 in. (114 to 140 cm)
Weight Capacity	110 lb. (50 kg)	110 lb. (50 kg)
Mounting Profile (Surface to Display)	2.3 in. (58.4 mm)	3.1 in. (78.7 mm)
Supported VESA Patterns (mm)	200x200, 200x400, 300x300, 400x400, 400x600	200x200, 200x300, 200x400, 300x300, 300x400, 400x400, 400x600
Tilt Adjustment	—	0°, 5°, 10° (Forward)
Construction	Powder-Coated Steel	Powder-Coated Steel
Combination Lock (Included)	Four Position	Four Position
Bubble Level	Yes	—
Warranty	5-Year Limited	5-Year Limited

Learn more about Tripp Lite's full line of display mounts at www.triplite.com.



Manufacturing Excellence.



Tripp Lite Corporate Headquarters

1111 W. 35th Street, Chicago, IL 60609 USA
773.869.1773 • www.triplite.com