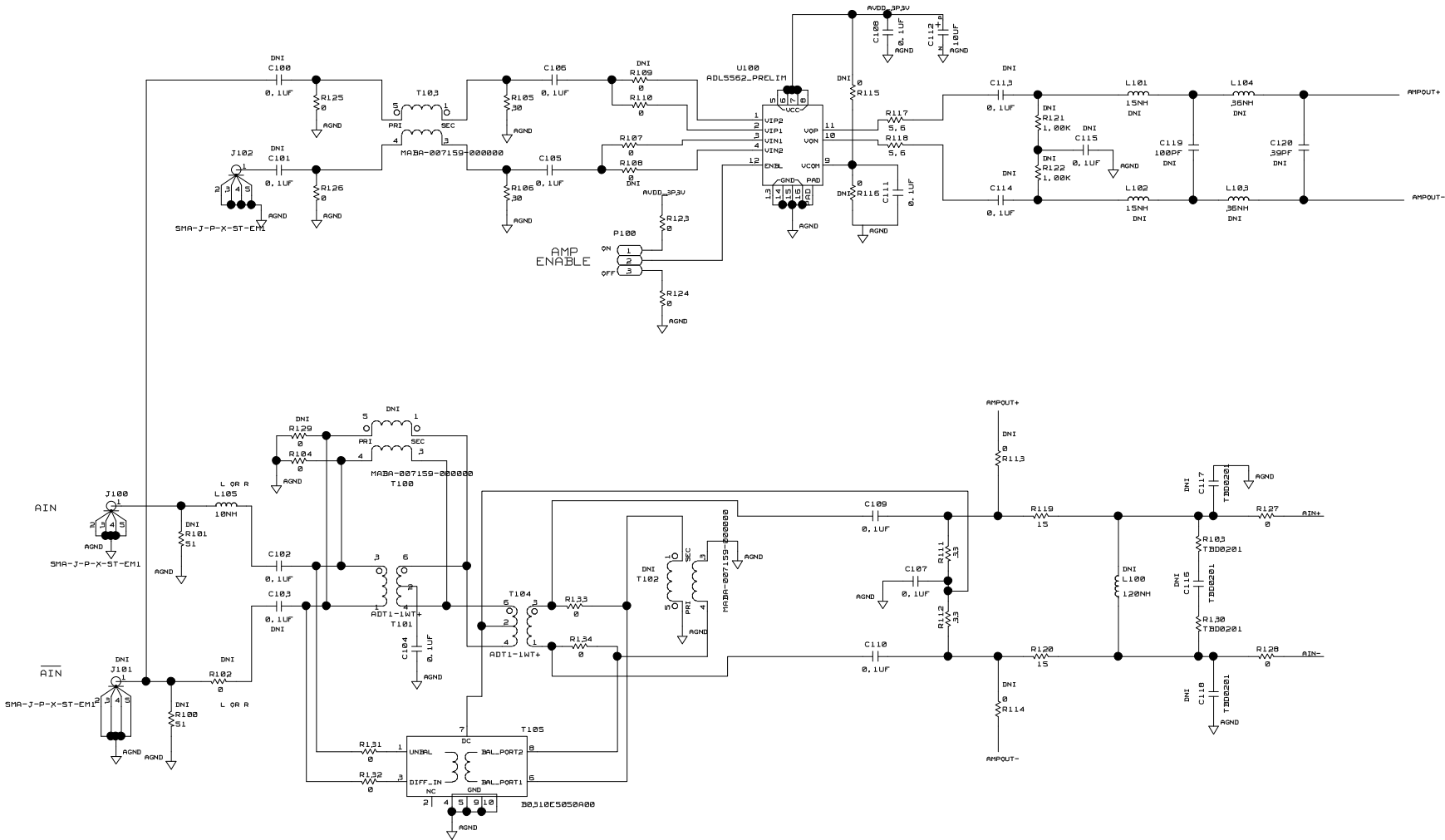


ANALOG INPUT CIRCUITRY

REVISIONS			
REV	DESCRIPTION	DATE	APPROVED

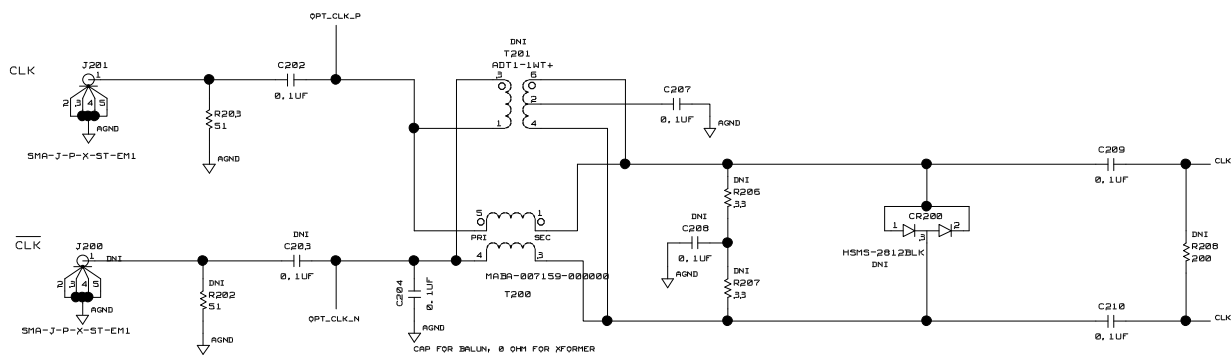


	SCHEMATIC		
	- ADD9457 CUSTOMER EVALUATION BD.		
	DESIGN VIEW	DRAWING NO.	REV
	-	9467CE01	A
PTD ENGINEER	SIZE	SCALE	SHEET 1 OF 7
-	D	NONE	

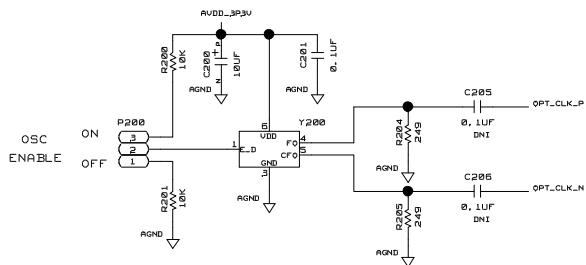
CLOCK CIRCUITRY

< DEFAULT >

REVISIONS			
REV	DESCRIPTION	DATE	APPROVED



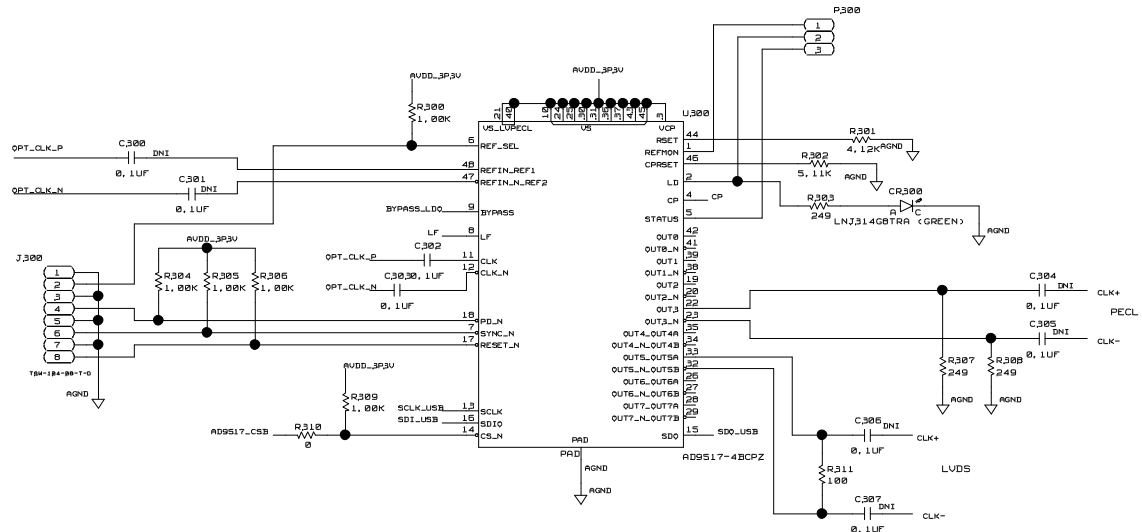
OPTIONAL OSCILLATOR



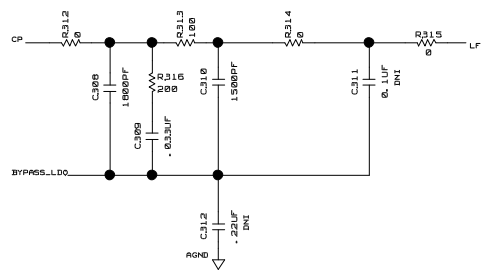
SCHEMATIC			
- ADD9457 CUSTOMER EVALUATION BD.			
DESIGN VIEW	DRAWING NO.	REV	
-	9467CE01	A	
PTD ENGINEER	SIZE	SCALE	SHEET 2 OF 7
-	D	NONE	

REVISIONS			
REV	DESCRIPTION	DATE	APPROVED

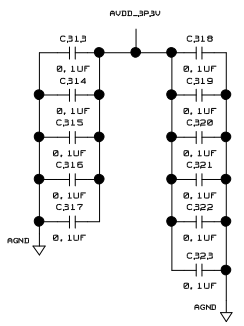
OPTIONAL CLOCK PATH CIRCUIT



CHARGE PUMP FILTER



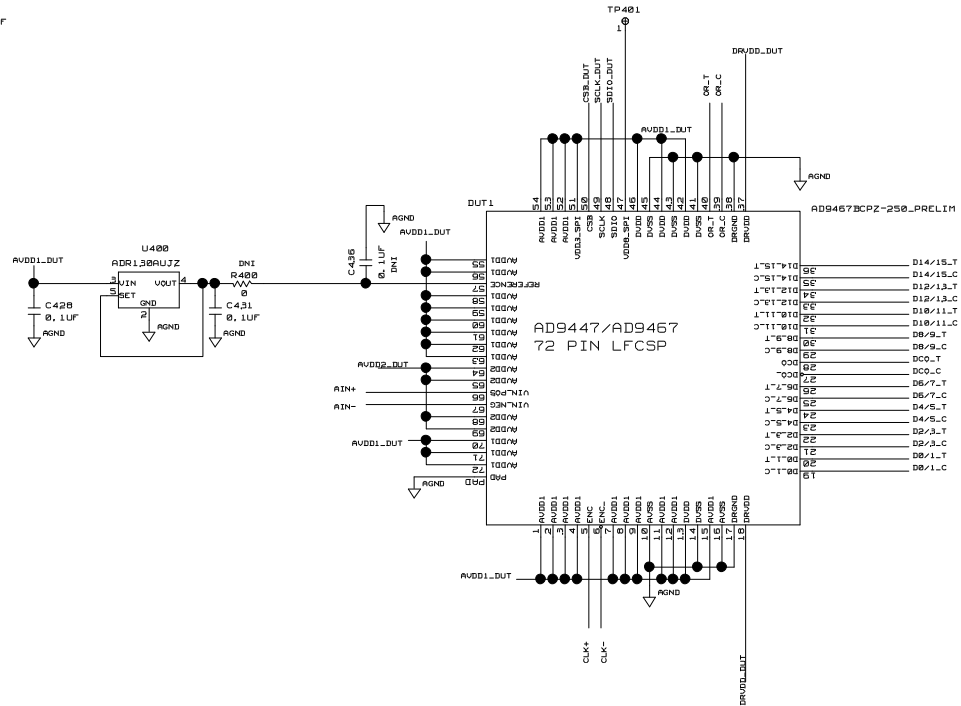
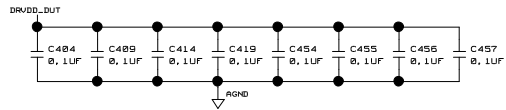
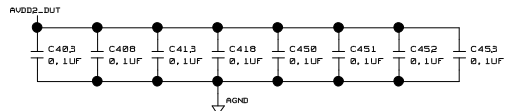
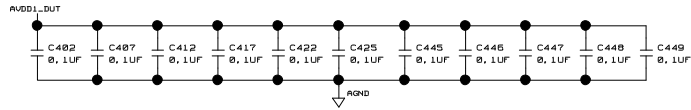
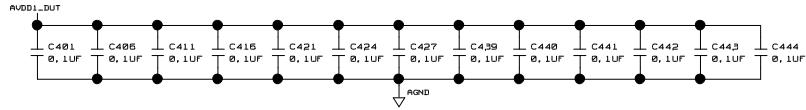
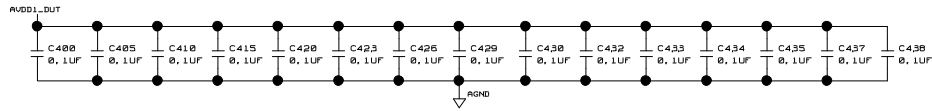
DECOUPLING



	SCHEMATIC		
	- AD9457 CUSTOMER EVALUATION BD.		
	DESIGN VIEW	DRAWING NO.	REV
	PTD ENGINEER	9467CE01	A
	SIZE	SCALE	SHEET 3 OF 7
	D	NONE	

REVISIONS			
REV	DESCRIPTION	DATE	APPROVED

DUT CIRCUITRY



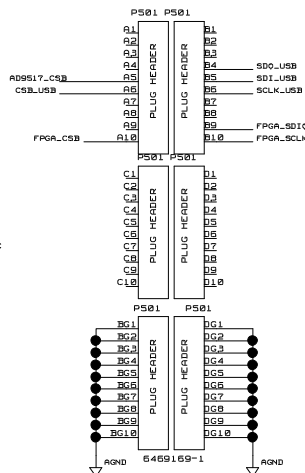
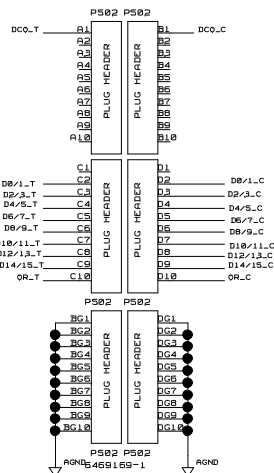
	SCHEMATIC		
	AD9467 CUSTOMER EVALUATION BD.		
	DESIGN VIEW	DRAWING NO.	REV
	PTD ENGINEER	9467CE01	A
	SIZE	SCALE	SHEET 4 OF 7
	D	NONE	

REVISIONS			
REV	DESCRIPTION	DATE	APPROVED

CONNECTORS

OPTIONAL TERMINATION

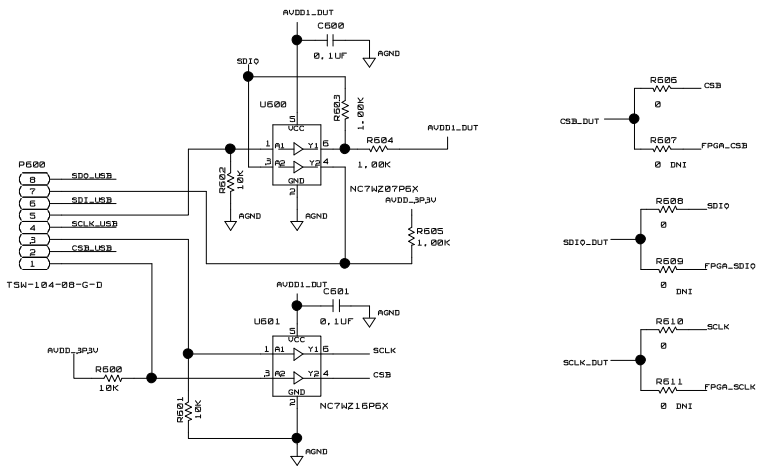
DC0_T	R500	DNI	DC0_C
	100		
DB/1_T	R501	DNI	DB/1_C
	100		
DB/3_T	R502	DNI	DB/3_C
	100		
D4/5_T	R503	DNI	D4/5_C
	100		
D6/7_T	R504	DNI	D6/7_C
	100		
D8/9_T	R505	DNI	D8/9_C
	100		
D10/11_T	R506	DNI	D10/11_C
	100		
D12/13_T	R507	DNI	D12/13_C
	100		
D14/15_T	R508	DNI	D14/15_C
	100		
OR_T	R509	DNI	OR_C
	100		



	SCHEMATIC		
	- ADDR457 CUSTOMER EVALUATION BD.		
	DESIGN VIEW	DRAWING NO.	REV
	-	9467CE01	A
PTD ENGINEER	SIZE	SCALE	SHEET 5 OF 7
-	D	NONE	

REVISIONS			
REV	DESCRIPTION	DATE	APPROVED

SPI CIRCUITRY

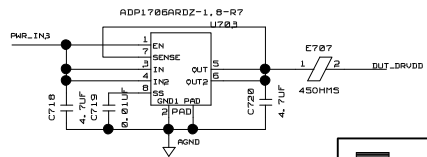
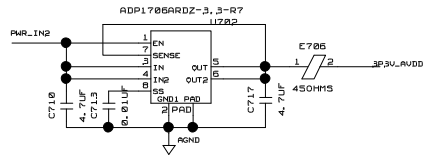
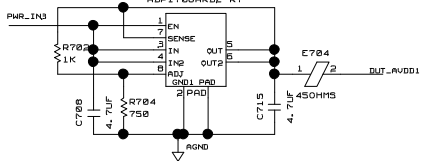
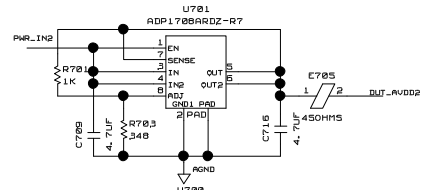
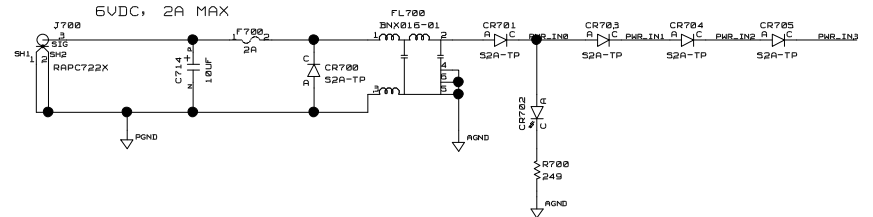
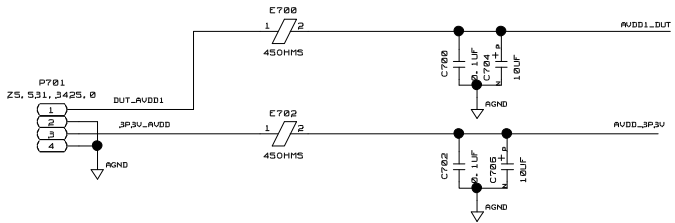
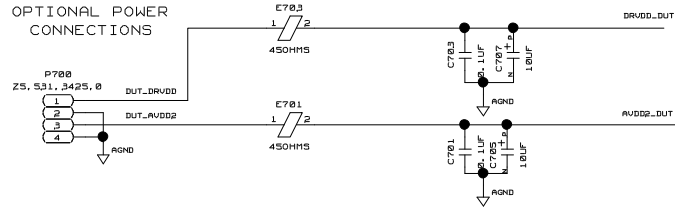


SCHEMATIC

- ADD9457 CUSTOMER EVALUATION BD.			DRAWING NO. 9467CE01	REV A
DESIGN VIEW -	PTD ENGINEER -	SIZE D	SCALE NONE	SHEET 6 OF 7

WALWART POWER SUPPLY CIRCUITRY

REVISIONS			
REV	DESCRIPTION	DATE	APPROVED



		SCHEMATIC	
- ADD9457 CUSTOMER EVALUATION BD.			
DESIGN VIEW	-	DRAWING NO.	9467CE01
PTD ENGINEER	-	REV	A
SIZE	D	SCALE	NONE
		SHEET ?	OF ?