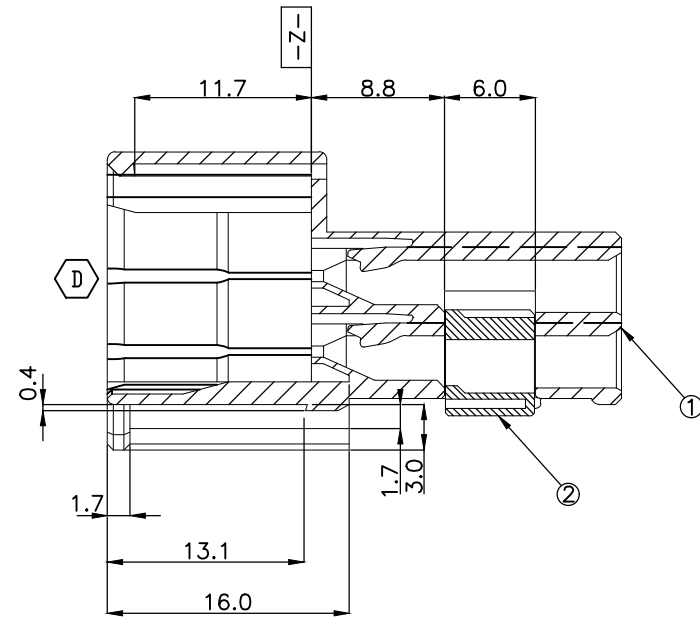
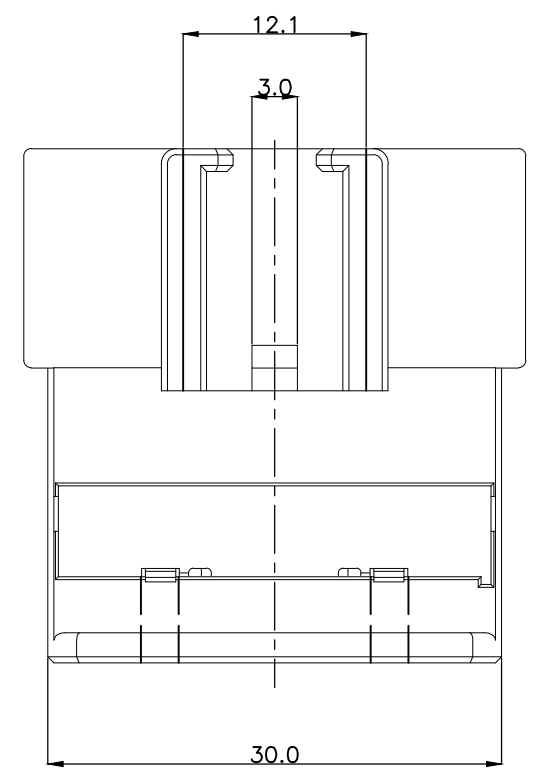
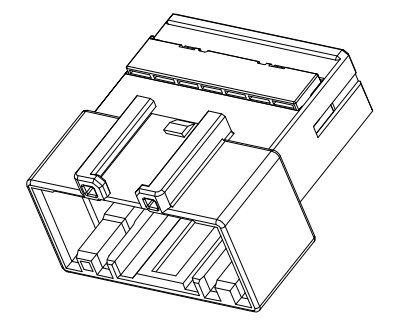
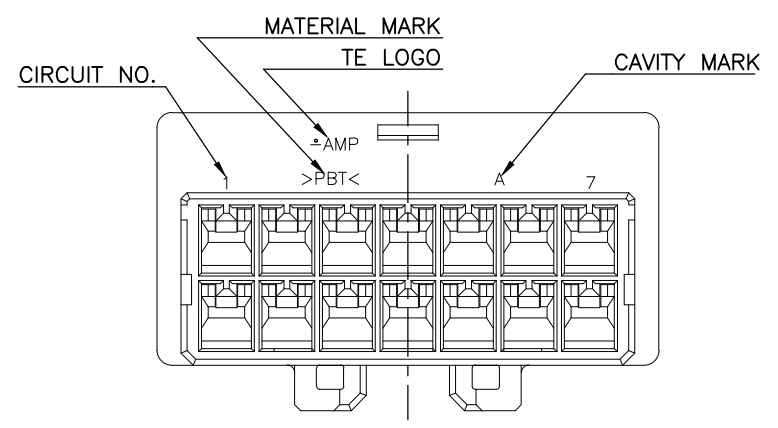
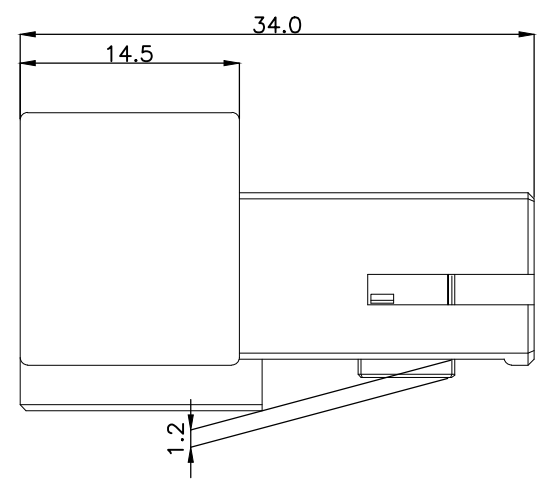
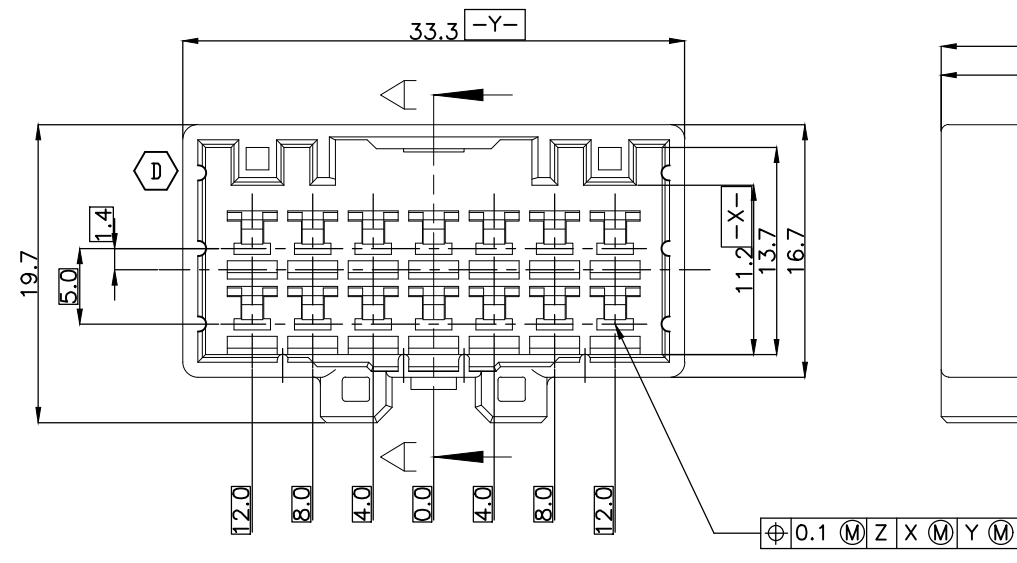


REVISIONS					
P	LTR	DESCRIPTION	DATE	DWN	APVD
D1		REVISED ECR-20-006447	16JUL2020	VI	SPB



- NOTES.
- THE MATING HSG. P/N ; 936199
 - APPLIED CONTACT P/N ; 090 II TAB. - 368086, 368087, 368088, 1897752

- 주 기-
- 상대 하우스 P/N. ; 936199
 - 적용단자 P/N. ; 090 II TAB. - 368086, 368087, 368088, 1897752

ASSY P/N	QTY	REMARKS
0-936209-8	1	
0-936209-7	1	
0-936209-6	1	
0-936209-5	1	
0-936209-4	1	
0-936209-3	1	
0-936209-2	1	
0-936209-1	1	

OBSOLETE

NO	COLOR	MATERIAL	DESCRIPTION	P/N	QTY
1	BLUE	PBT	CAP	0-936210-8	1
	GREEN	PBT	CAP	0-936210-7	1
	RED	PBT	CAP	0-936210-6	1
	YELLOW	PBT	CAP	0-936210-5	1
	BROWN	PBT	CAP	0-936210-4	1
	D/GRAY	PBT	CAP	0-936210-3	1
	BLACK	PBT	CAP	0-936210-2	1
	NATURAL	PBT	CAP	0-936210-1	1
2	NATURAL	PBT	DBL	0-936198-1	1 1 1 1 1 1 1 1

TOLERANCES UNLESS OTHERWISE SPECIFIED:

0 <XX<10	± 0.2
10<XX<30	± 0.25
30<XX	± 0.3
ANGLES	± 3°

THIS DRAWING IS A CONTROLLED DOCUMENT.

DIMENSIONS:	TOLERANCES UNLESS OTHERWISE SPECIFIED:
mm	
	0 PLC ± -
	1 PLC ± -
	2 PLC ± -
	3 PLC ± -
	4 PLC ± -
	ANGLES ± -
MATERIAL	FINISH
SEE TABLE	-

DWN	KT JUNG	
CHK	JW JUNG	
APVD	HG CHO	
PRODUCT SPEC		
APPLICATION SPEC		
WEIGHT	0	
CUSTOMER DRAWING		

STE TE Connectivity

090III 14P CAP ASS'Y

SIZE	CAGE CODE	DRAWING NO	RESTRICTED TO
A3	00779	C-936209	-

SCALE 1:1 SHEET 1 OF 1 REV D1