



LAYOUT SHOWN AS EXAMPLE

Keying Shown as example

CHARACTERISTICS

- Standard : Based on MIL-DTL-38999 Series III
- Shell Material : Composite
- Shell Plating : Olive drab Cadmium
- Insulator : Thermoplastic
- Contacts : Copper Alloy
- Seals & Grommet : Silicon Elastomer
- Contact Plating : Gold over copper Alloy 0.8µm minimum
- Durability : 500 Mating cycles
- Delivered with Souriau contacts and Accessories
- Temperature Range : -65°C to +175°C
- Salt Spray : 2000 hours
- Mass : 33.4 g ± 10%

Connector dimension	
Dim	Nominal
P	3.25±0.2
PP	4.93±0.2
R1	26.97
R2	24.61
S	33.3±0.3
V'	19.5+1.4/-0
W'	2.1/3.65
Z'	32 Max
VV THREAD	M25x1-6g

SOURIAU shall not be liable for any non-conformity or damage due to a use of the Products which does not comply with the Specifications issued by either of the Parties or by a third party (professional recommendation, technical notice.)

Country	Jurisdiction & Control List
FR	Not Listed

PN: 8D017J99SN

B	11-04-17	Drawing Update	
ISS	DATE	Latest modification - by	MOD N°
Designed By:		Date:	CUSTOMER DRAWING
TITLE		Composite Receptacle 8D series	
SCALE	NA	General linear Tolerances: ±--	NPRDS / PROJECT 859
SOURIAU		WWW.SOURIAU.COM	
This document is the property of SOURIAU it must not be reproduced or communicated without permission			
FORMAT	SOURIAU DRG N° 8D017J99SN-C		SHEET 1/2

BASIC SERIES:	8D	0	-	17	J	99	S	N	ORIENTATION : N
SHELL TYPE :	Square Flange Receptacle								CONTACT TYPE : SOCKET(500 Matings)
CONTACT TYPE :	Standard Crimp Contact								CONTACT LAYOUT : 17-99
SHELL SIZE :	17								
PLATING :	J = Olive drab Cadmium								

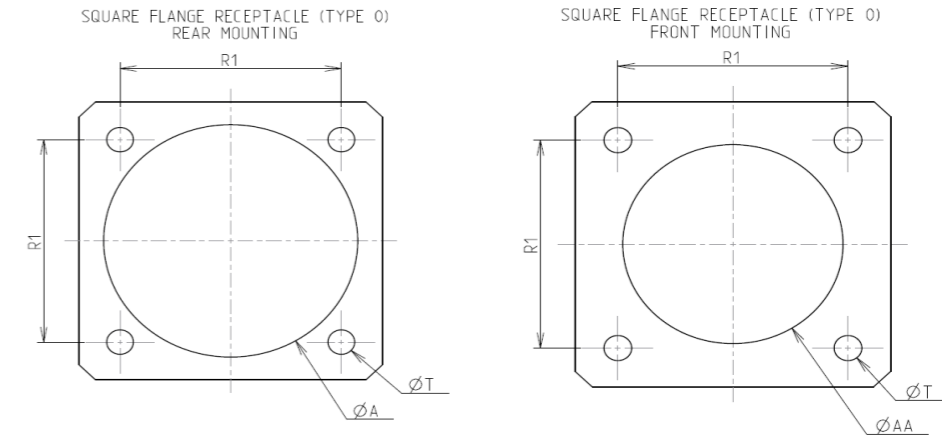
Contact Layout



Contacts (Insert arrangement 17-99)					
Contact position ID	Contact location		Contact position ID	Contact location	
	X-axis (mm)	Y-axis (mm)		X-axis (mm)	Y-axis (mm)
A	.000 (0.00)	+321 (8.15)	N	-.305 (7.75)	+.099 (2.51)
B	+.131 (3.33)	+.293 (7.44)	P	-.239 (6.07)	+.214 (5.44)
C	+.239 (6.07)	+.214 (5.44)	R	-.131 (3.33)	+.293 (7.44)
D	-.305 (7.75)	-.099 (2.51)	e	.070 (1.78)	-.177 (4.50)
E	+.319 (8.10)	-.034 (0.86)	T	+.070 (1.78)	+.177 (4.50)
F	+.278 (7.06)	-.161 (4.09)	U	+.175 (4.45)	+.094 (2.39)
G	+.189 (4.80)	-.260 (6.60)	V	+.150 (3.81)	-.075 (1.91)
H	+.067 (1.70)	-.314 (7.98)	W	+.000 (0.00)	-.161 (4.09)
J	-.067 (1.70)	-.314 (7.98)	X	-.150 (3.81)	-.075 (1.91)
K	-.189 (4.80)	-.260 (6.60)	Y	-.175 (4.45)	+.094 (2.39)
L	-.278 (7.06)	-.161 (4.09)	Z	+.000 (0.00)	+.025 (0.64)
M	-.319 (8.10)	-.034 (0.86)			

Shell size	Arrangement no.	Number of contacts	Size contacts	Service rating	Contact position ID	Supersedes
17	-99	2	16	I	W, Z	MS20053-99
		21	20		All others	

Panel Cutout



Max. thickness panel for receptacle: Type 0: front mounting = 3.2 mm, rear mounting = 2.5 mm

Dim	Nominal
ØA	30.96 min
ØAA	25.81 min
R1	26.97
ØT	3.25 ±0.13

SOURIAU shall not be liable for any non-conformity or damage due to a use of the Products which does not comply with the Specifications issued by either of the Parties or by a third party (professional recommendation, technical notice.)

Country	Jurisdiction & Control List
FR	Not Listed

PN: 8D017J99SN

B	11-04-17	Drawing Update	
ISS	DATE	Latest modification - by	MOD N°
Designed By:		Date:	CUSTOMER DRAWING
TITLE	Composite Receptacle 8D series		
SCALE		General linear Tolerances: ±--	NPRDS / PROJECT 859
NA			
SOURIAU	WWW.SOURIAU.COM		This document is the property of SOURIAU it must not be reproduced or communicated without permission
FORMAT	SOURIAU DRG N° 8D017J99SN-C		SHEET 2/2