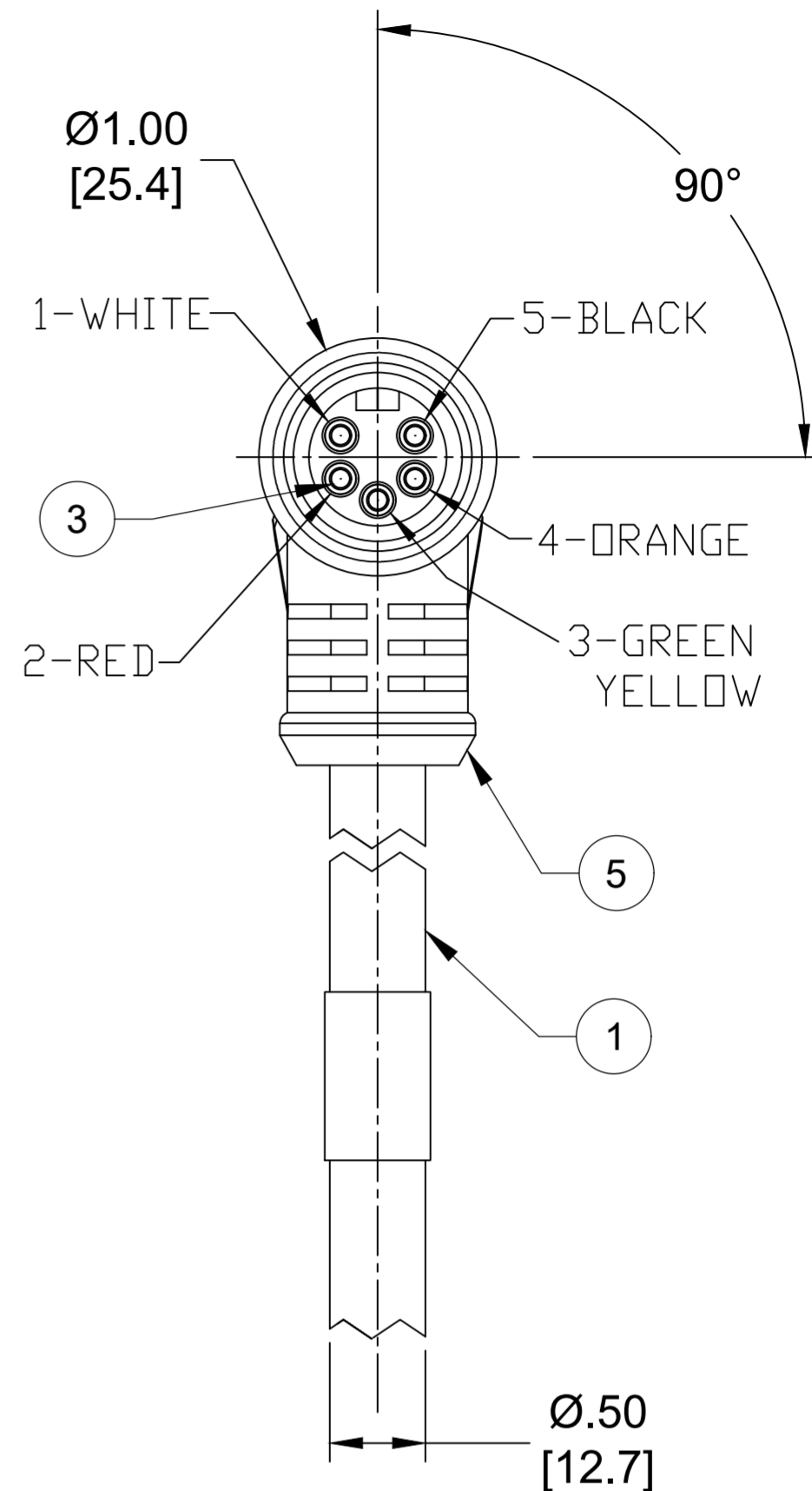
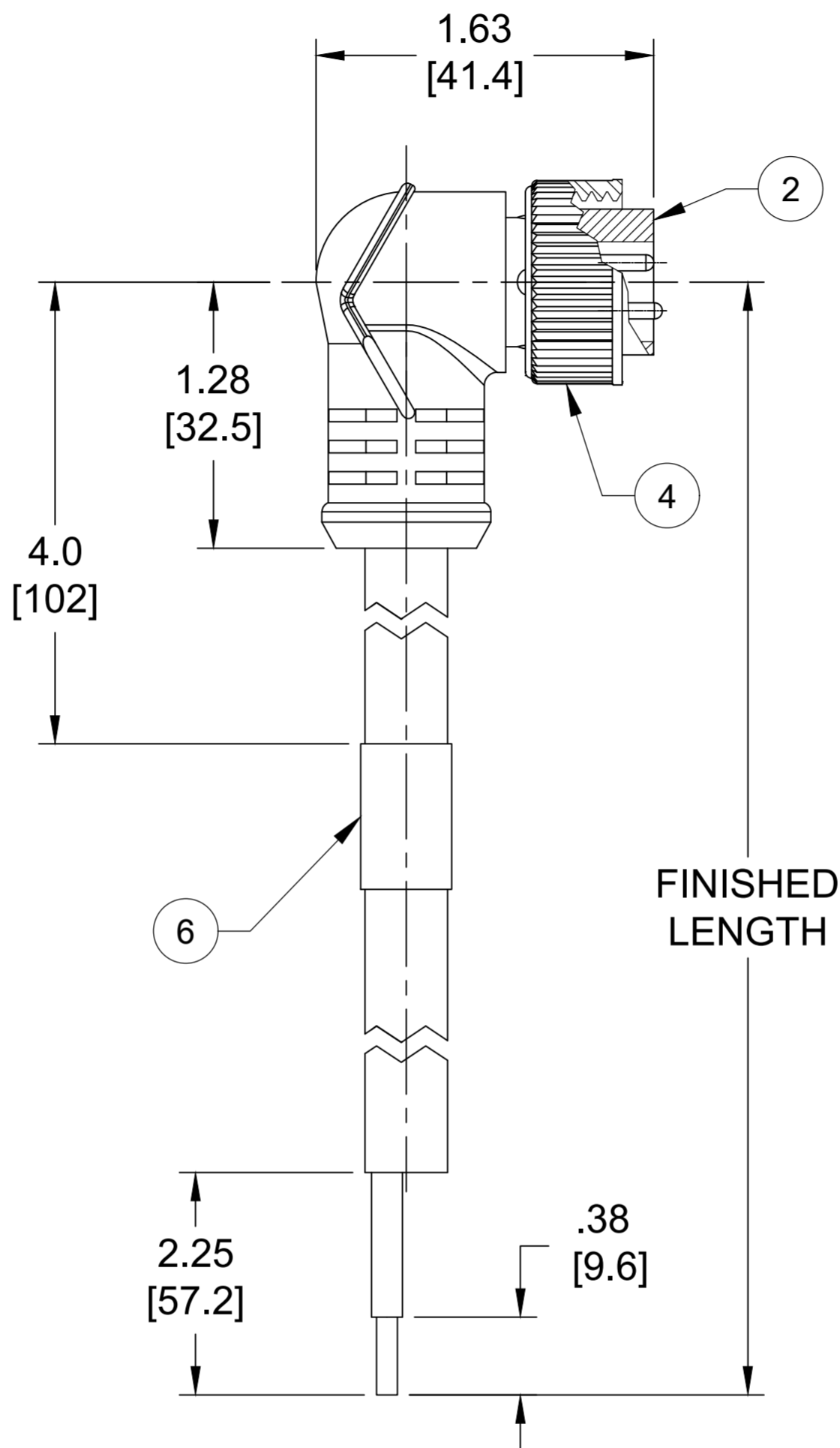
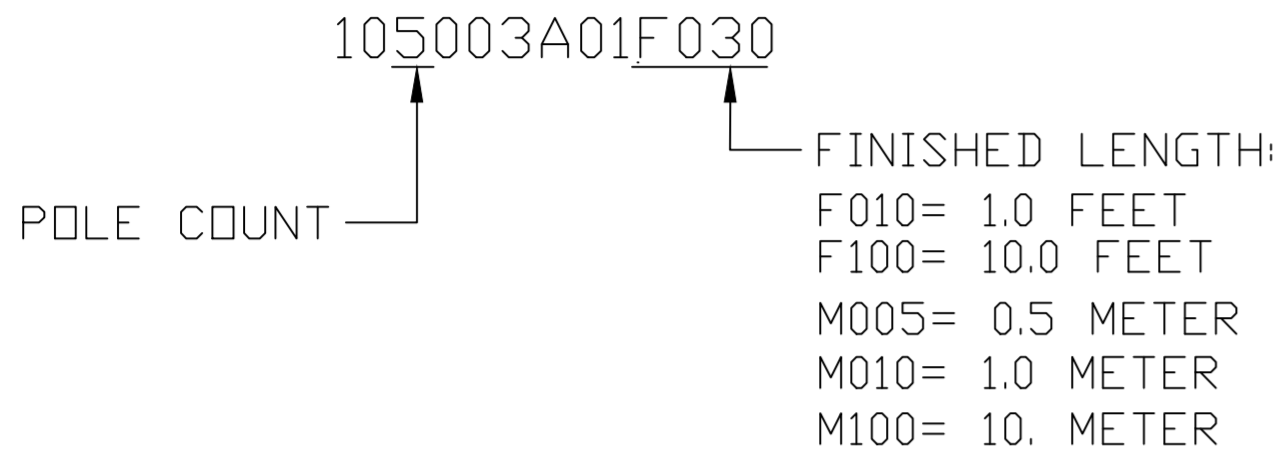


PART NO.	ENGINEERING NO.	FINISHED LENGTH
1300061516	105003A01F030	3.0FT [9.1M]
1300061518	105003A01F060	6.0FT [1.8M]
1300061524	105003A01F200	20.0FT [6.1M]

REF. THIS DRAWING SUPERSEDES SD-130006-035 REV-1 (A)

**PART NUMBER LEGEND**



- NOTES:**
1. MATERIAL: AS NOTED
  2. FINISH: AS NOTED
  3. ELECTRICAL:  
VOLTAGE: 400V PER IEC60664  
600V PER UL2238  
CURRENT: 8A
  4. TEMP RATING: -20°TO +80°C
  5. PROTECTION: IP67 (WHEN MATED)
  6. COUPLING THREAD: 7/8-16UN
  7. UL RECOGNIZED FILE: E152210  
CSA CERTIFIED FILE: LR6837
  8. ALL DIMS ARE FOR REFERENCE UNLESS TOLERANCED OR NOTED OTHERWISE

**CABLE LENGTH TOLERANCES**

>.3M [1FT]:	+19mm-0 [+ .75in-0]
.3 - .9M [1 - 3FT]:	+44.5mm-0 [+1.75in-0]
.9 - 1.8M [3 - 6FT]:	+55.6mm-0 [+2.19in-0]
1.8 - 3.7M [6 - 12FT]:	+88.9mm-0 [+3.50in-0]
3.7 - 7.3M [12 - 24FT]:	+165.1mm-0 [+6.50in-0]
7.3-14.6M [24 - 48FT]:	+317.5mm-0 [+12.50in-0]
14.6 - 30.5M [48-100FT]:	+622.3mm-0 [+24.50in-0]
OVER 30M [100FT]	+2% OF FINISHED LENGTH

ITEM	DESCRIPTION	MATERIAL	FINISH
6	WRAP LABEL	VINYL	BLACK/YELLOW
5	OVERMOLD	TPE	YELLOW
4	COUPLING NUT, INT. THD	ZINC DIE-CAST	NICKEL PLATED
3	CONTACT PIN	COPPER ALLOY	GOLD PLATED
2	MALE INSERT	TPE	YELLOW
1	CABLE, 16/5, STOOW	PVC JACKET	YELLOW

SYMBOLS		THIS DRAWING CONTAINS INFORMATION THAT IS PROPRIETARY TO MOLEX ELECTRONIC TECHNOLOGIES, LLC AND SHOULD NOT BE USED WITHOUT WRITTEN PERMISSION	
▽ = 0	4 PLACES	±----	±----
▽ = 0	3 PLACES	±----	±----
▽ = 0	2 PLACES	±----	±----
▽ = 0	1 PLACE	±----	±----
▽ = 0	0 PLACES	±----	±----
▽ = 0	ANGULAR TOL ±	----	°
▽ = 0	DRAFT WHERE APPLICABLE	MUST REMAIN WITHIN DIMENSIONS	
▽ = 0	THIRD ANGLE PROJECTION	DRAWING SERIES	
▽ = 0	C-SIZE	130006	

CURRENT REV DESC: REDRAWN, WAS SD-130006-035		EC NO: 624117	
DRWN: RSTONE		2019/09/10	
CHK'D: MZIELINSKI		2019/09/19	
APPR: BWOODMAN		2019/10/03	
INITIAL REVISION:		DRWN: RSTONE	
APPR: BWOODMAN		2019/09/10	
2019/10/03		2019/10/03	

<b>molex</b>		MINI CHANGE CABLE ASSY, 5P, MALE, 90 DEG	
		16AWG, STOOW, INTERNAL THREAD	
PRODUCT CUSTOMER DRAWING			
DOCUMENT NUMBER		DOC TYPE   DOC PART   REVISION	
1300061516		PSD 000 A	
MATERIAL NUMBER		CUSTOMER	
		SHEET NUMBER	
		1 OF 1	