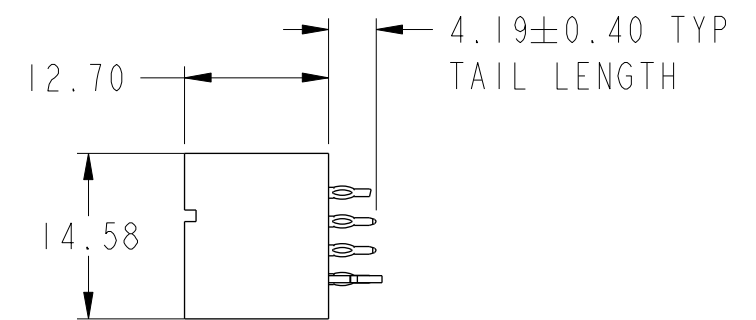
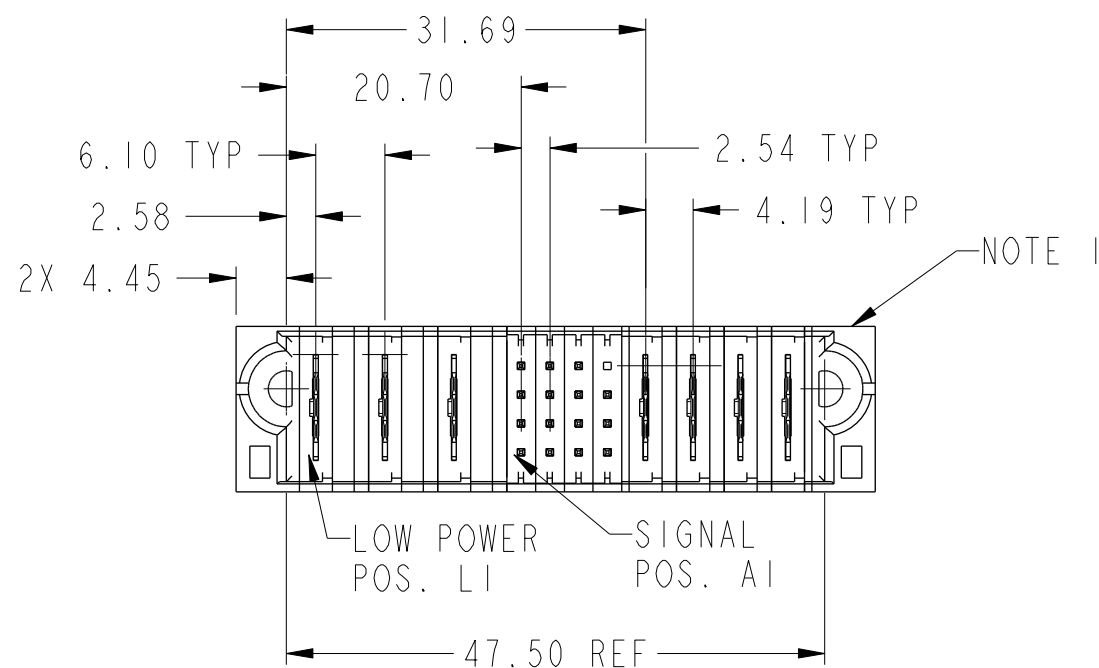
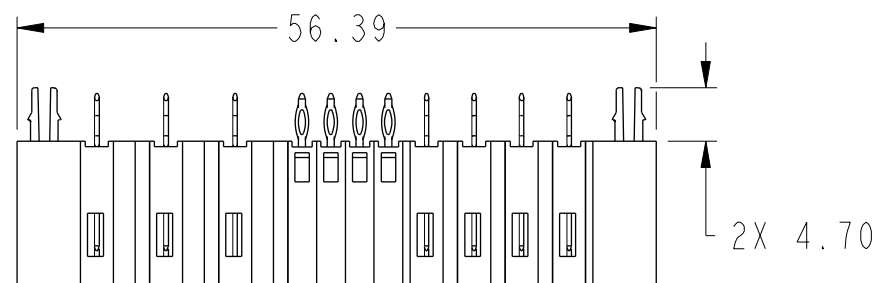
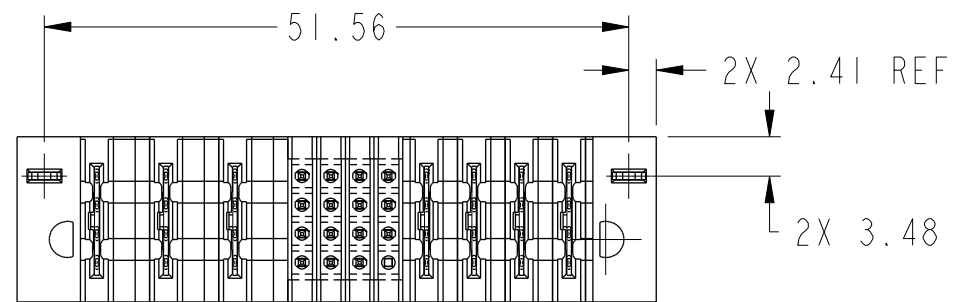


PART NUMBER SEE SHEET 2



Copyright FCI.

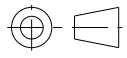


spec ref	*	dr	Rainbow Zhan	2014/05/19	projection	MM	size	A3	scale	3:2
tolerance std	ASME Y14.5	eng	Rainbow Zhan	2015/01/07			ecn no	-	rel level	Released
TOLERANCES UNLESS OTHERWISE SPECIFIED		chr	-	apppr						
surface	linear	0.X	±0.5		3LP + 16S + 4LP		dwg no	10106267-0704001		rev
		0.XX	±0.25		VERTICAL PF HEADER			A		
		0.XXX	±0.10		cat. no.	Product - Customer Drw			sheet 1 of 3	
ASME Y14.5	angular	0°	±2°	www.fci.com	PDS: Rev :A		STATUS:Released		Printed: Jan 08, 2015	

NOTES:

- 1) "FCI", PART NUMBER AND DATE CODE TO BE MARKED ON THIS SURFACE.
THE MARK CAN BE OMITTED IF THERE IS NOT ENOUGH SPACE ON THIS SURFACE.
- 2) MATERIALS:
-HOUSING - GLASS FILLED WITH HIGH TEMP THERMOPLASTIC, UL94V-0.
-SIGNAL CONTACT - COPPER ALLOY.
-POWER CONTACT - HIGH CONDUCTIVITY COPPER ALLOY.
- 3) PLATING SPECIFICATION REFER TO FCI 10116351
- 4) DENOTES CONNECTOR KEEP OUT ZONE.
- 5) DATUM AND BASIC DIMENIONS WERE ESTABLISHED BY CUSTOMER.
- 6) ALL HOLE DIAMETERS ARE FINISHED HOLE SIZES.
- 7) 1.15 ± 0.025 MM DRILLED HOLE PLATED WITH 0.00762MM MIN Sn
OVER 0.0254-0.0762MM Cu PLATING TO ACHIEVE A 1.02 ± 0.07 MM HOLE.
- 8) PRODUCT SPECIFICATION REFER TO FCI GS-12-658.
APPLICATION SPECIFICATION REFER TO FCI GS-20-141.
PRODUCT PACKAGED IN TRAYS, REFER TO FCI GS-14-1502.



Copyright FCI.

dr	Rainbow Zhan	2014/05/19	projection 	MM 	size	A3	scale	3:2
eng	Rainbow Zhan	2015/01/07			ecn no	-		
chr	-	-			rel level	Released		
appr	Pei-Ming Zheng	2015/01/07	product family	PwrBlade+				
		title 3LP + 16S + 4LP VERTICAL PF HEADER		dwg no 10106267-0704001	rev A			
www.fci.com		cat. no.	Product - Customer Drw		sheet 3 of 3			