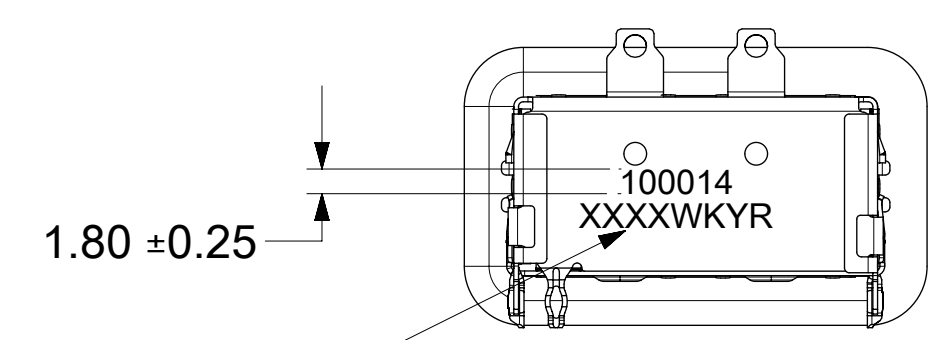
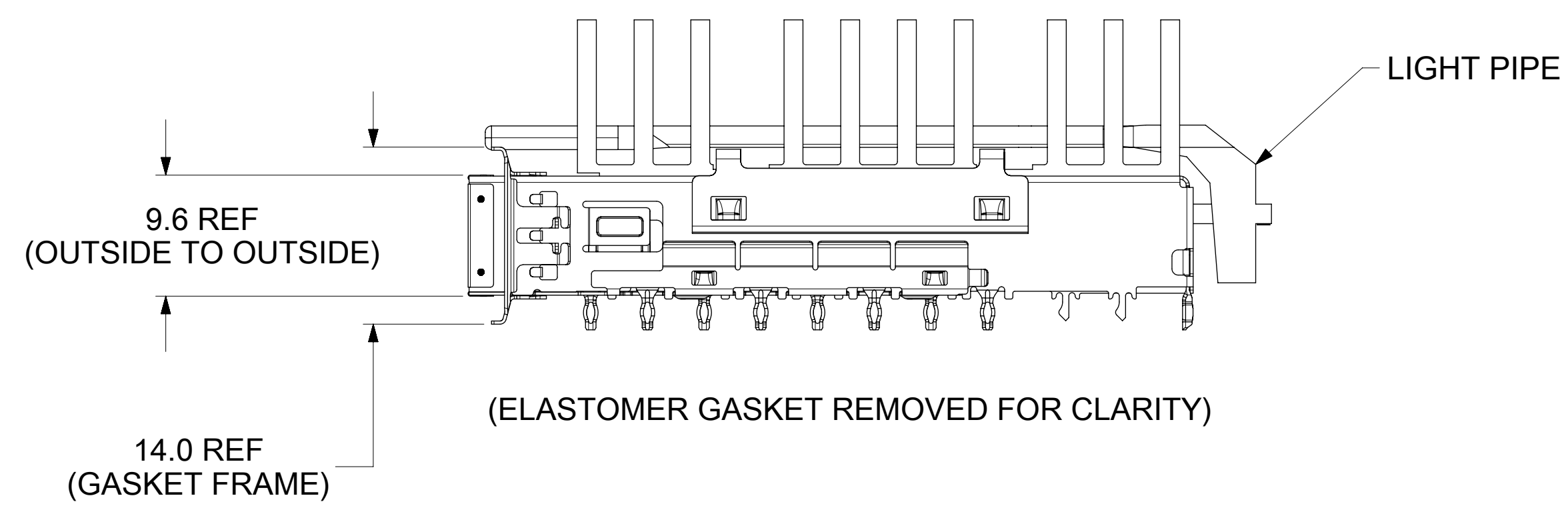
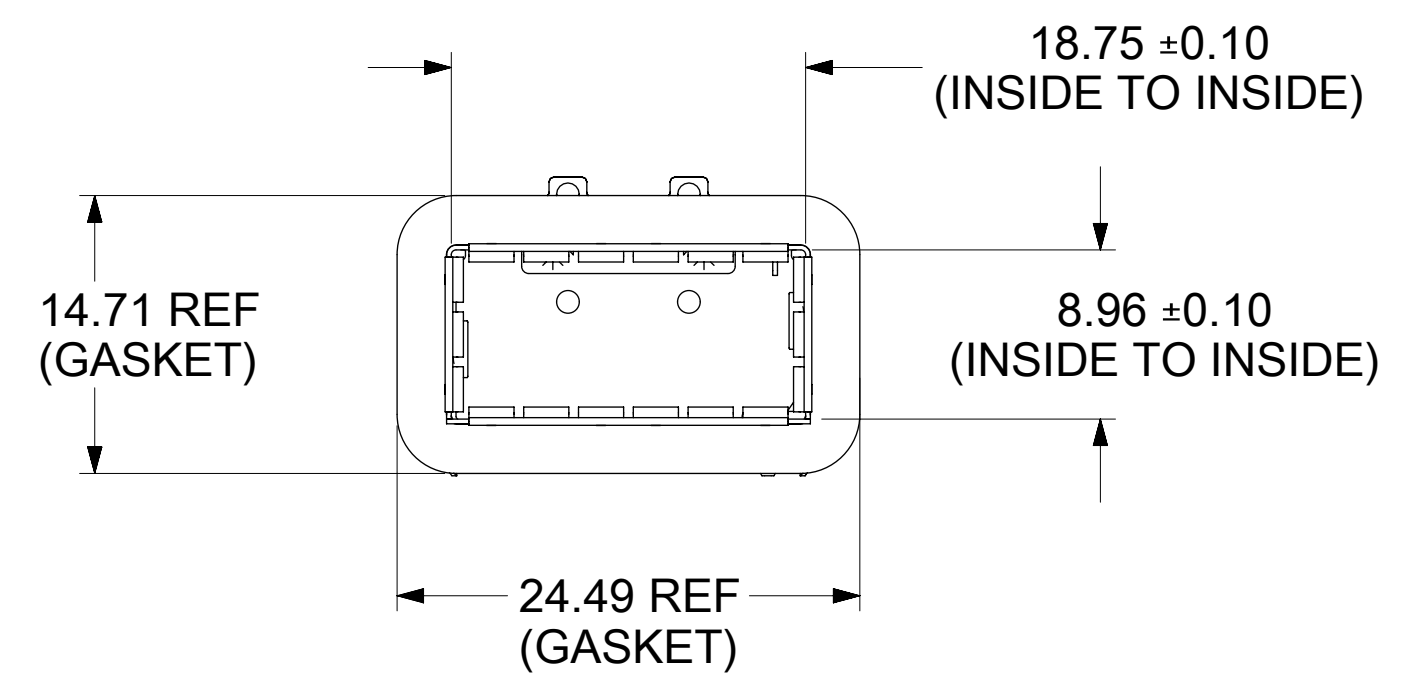
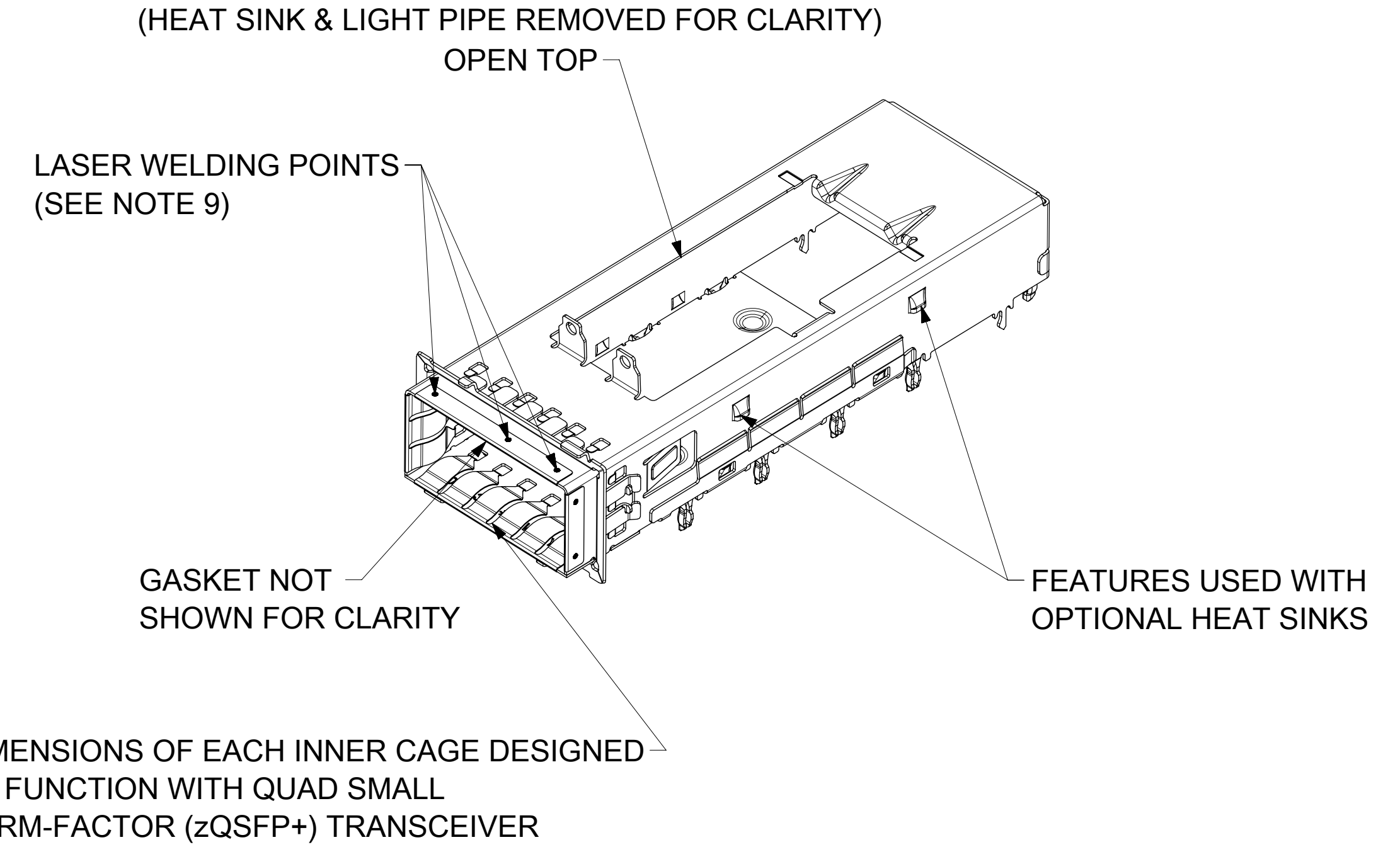
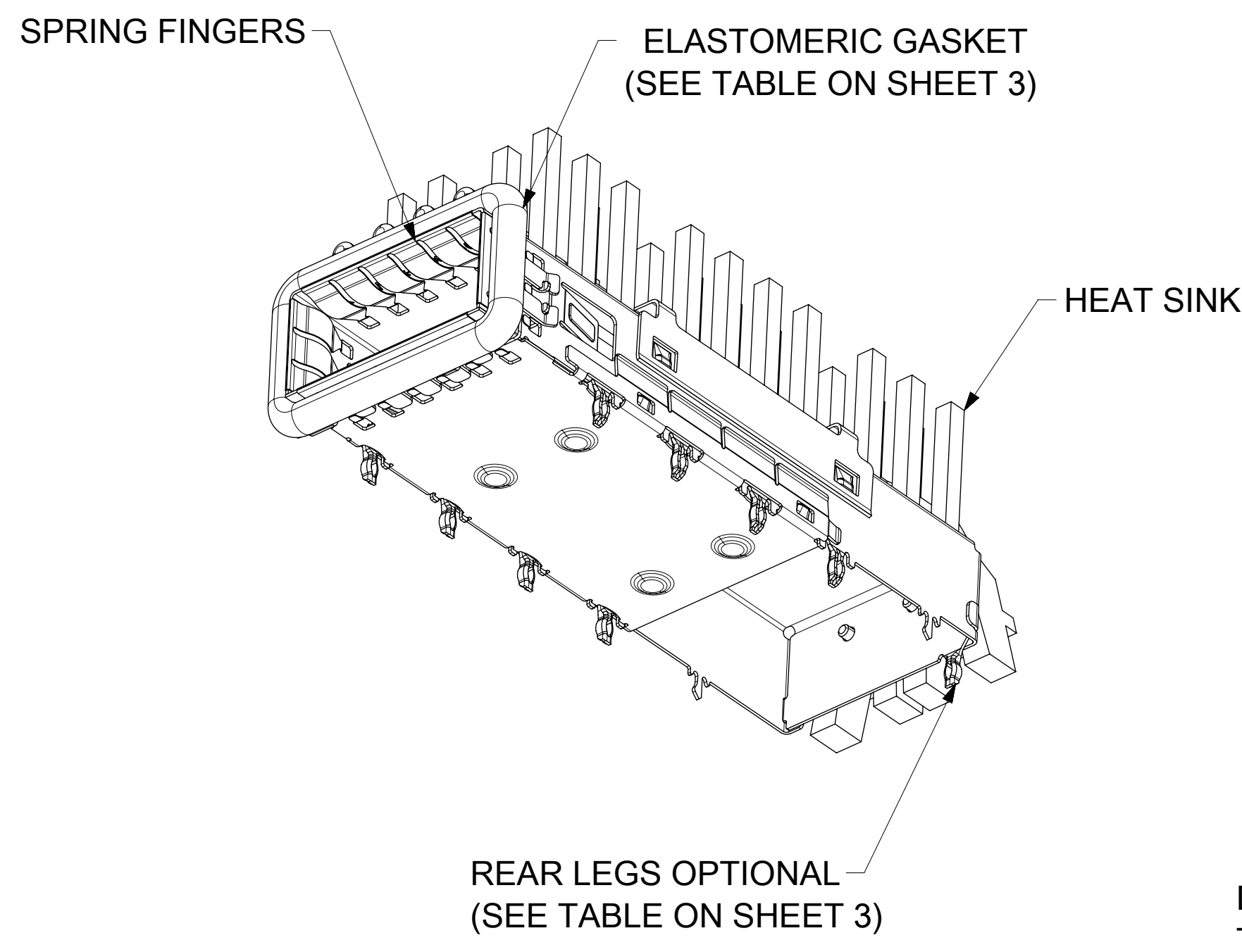
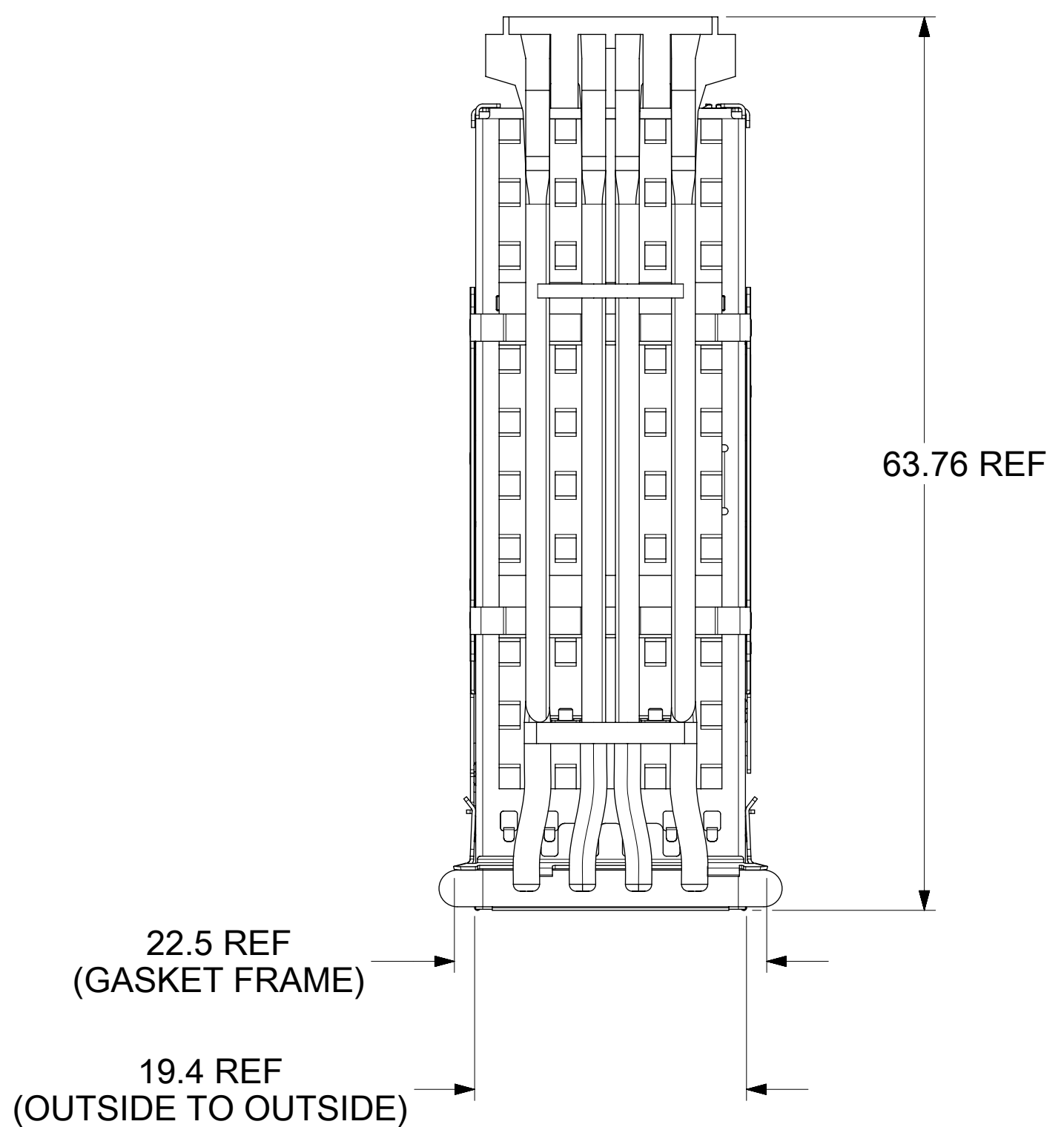


BASE CAGE DETAILS

1000143748

SHOWN



P/N AND WEEK/YEAR DATE CODE TO BE PRINTED ON BACK OF COMPLETED CAGE ASSEMBLY APPROXIMATELY AS SHOWN. SEE TABLE BELOW FOR DATE CODE INFORMATION.

- NOTES:**
- MATERIAL: CAGE: STAINLESS STEEL
 SPRING FINGERS: STAINLESS STEEL
 GASKET FLANGE: STAINLESS STEEL
 HEAT SINKS: NICKEL PLATED ALUMINUM
 HEAT SINK CLIP: STAINLESS STEEL
 LIGHT PIPES: POLYCARBONATE (UL 94-V-0)
 GASKET: ELASTOMERIC (UL 94-V-0)
 - DIMENSIONS MARKED ARE CRITICAL TO FUNCTION OF THE PART AND MUST BE INSPECTED
 - DRAWING APPLIES TO ALL P/N'S SHOWN ON PAGE 3
 - DURING INCOMING INSPECTION, CAGE LEG LOCATIONS AND STRAIGHTNESS MUST BE CHECKED USING APPROPRIATE GO - NO GO GAGE
 - DURING INCOMING INSPECTION, CAGE MUST BE INSPECTED TO MAKE SURE LEG CONFIGURATIONS AND PART NUMBERS ARE CORRECT, USE SHEET 3, 4, 5 & 6
 - PARTS TO BE INSPECTED PER MOLEX COSMETIC SPEC WI-HP-7-2774 (CLASS B UNLESS OTHERWISE SPECIFIED)
 - PRESS-FIT LEGS 2.44 [0.096] LONG -
 1.57 MINIMUM PCB THICKNESS FOR SINGLE SIDED USE.
 2.70 MINIMUM PCB THICKNESS FOR BELLY TO BELLY USE.
 - NO RoHS EXEMPTIONS
 - WELD SPOTS MAY SHOW SLIGHT MATERIAL DISCOLORATION.

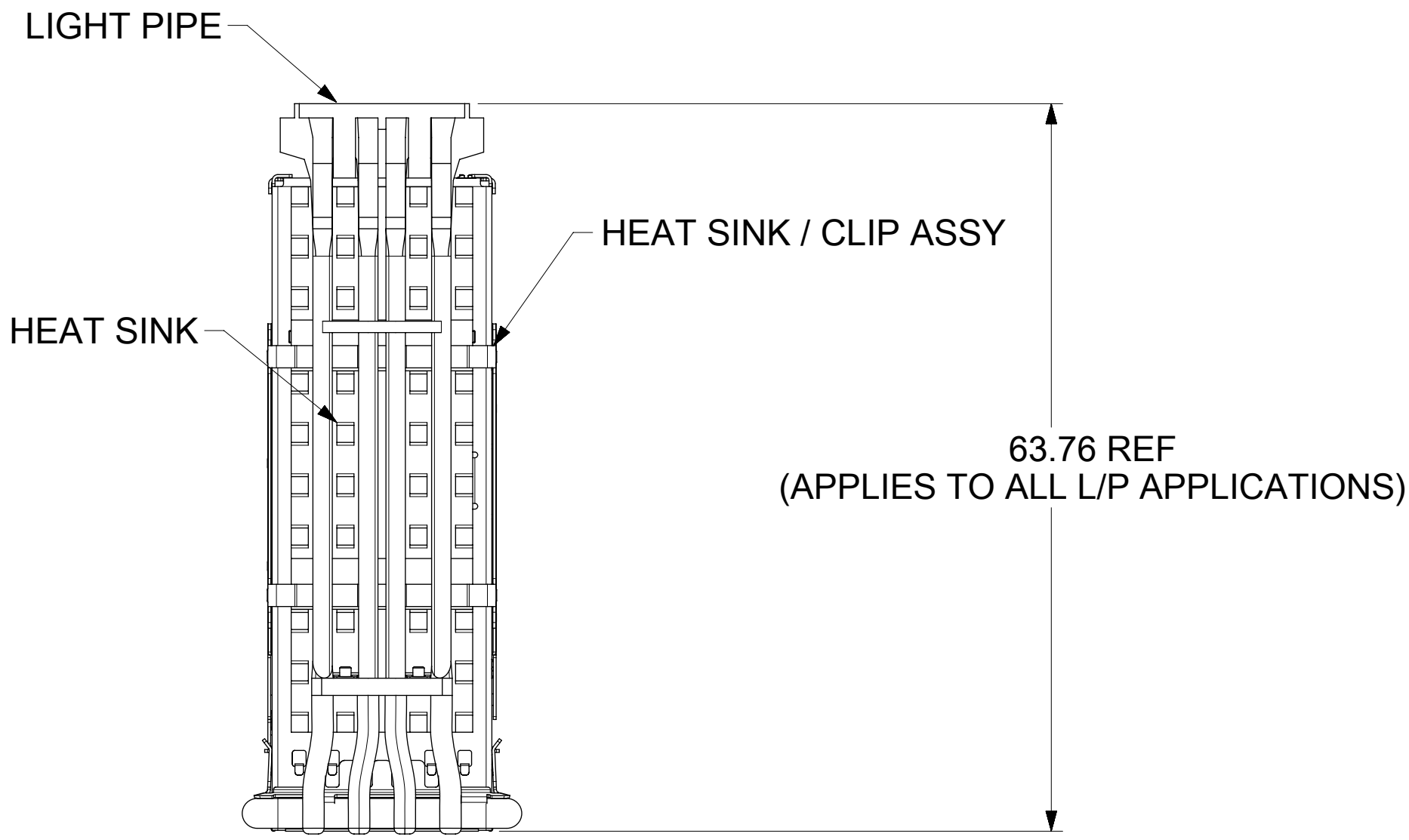
WEEK/YEAR DATE CODE TABLE	
WK	WEEK OF THE YEAR 01 THRU 52 OR 53 (EXAMPLE: 01= FIRST WEEK OF YEAR, 52 OR 53 = LAST WEEK OF YEAR)
YR	22, 23, 24 ETC.. (EXAMPLE: YEAR 2022= 22)

THIS DRAWING CONTAINS INFORMATION THAT IS PROPRIETARY TO MOLEX ELECTRONIC TECHNOLOGIES, LLC AND SHOULD NOT BE USED WITHOUT WRITTEN PERMISSION

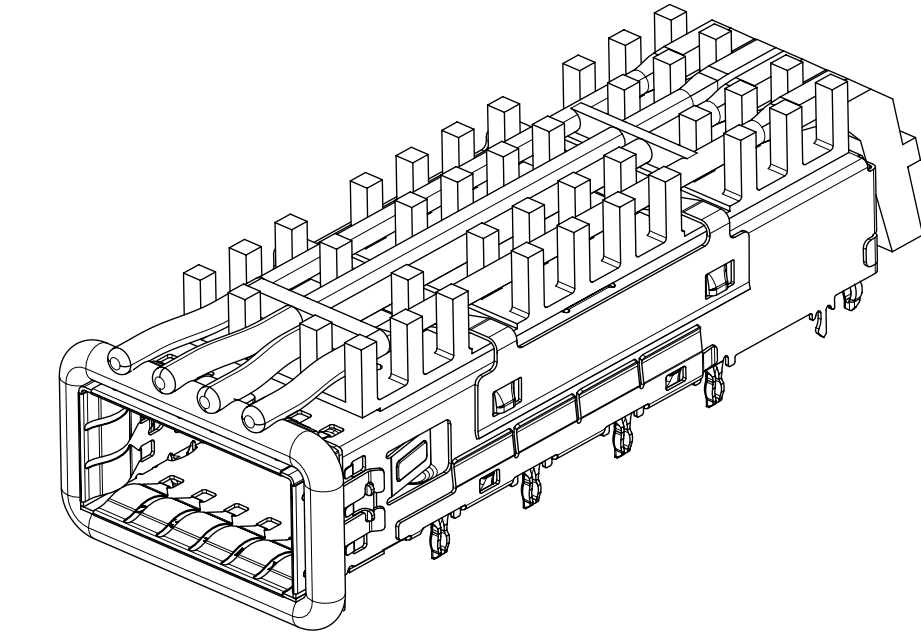
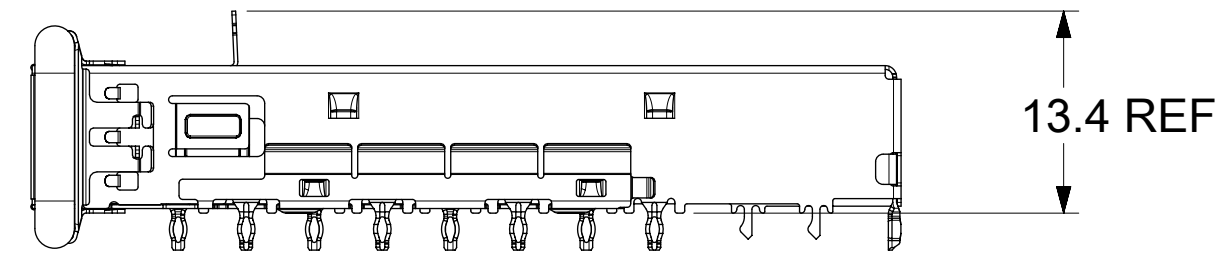
DIMENSION UNITS	SCALE	CURRENT REV DESC: SEE REVISION TABLE					
mm	2.5:1						
GENERAL TOLERANCES (UNLESS SPECIFIED)		EC NO: 712623		1X1 ZQSFP+ CAGE ASSY, GASKET TYPE W/ SUS INNER SPRING FINGER, HEATSINK AND QUAD LIGHT PIPE			
ANGULAR TOL	± 2.0°	DRWN: CHETHH2 2022/05/30					
4 PLACES	±	CHK'D: TKUMARKC 2022/06/25		PRODUCT CUSTOMER DRAWING			
3 PLACES	±	APPR: SCHIEN 2022/07/07					
2 PLACES	± 0.13	INITIAL REVISION:		DOCUMENT NUMBER: 1000143748 DOC TYPE: PSD DOC PART: ASY REVISION: A			
1 PLACE	± 0.25	DRWN: CHETHH2 2022/05/30					
0 PLACES	±	APPR: SCHIEN 2022/07/07		MATERIAL NUMBER: SEE P/N TABLE CUSTOMER: GENERAL MARKET SHEET NUMBER: 1 OF 7			
DRAFT WHERE APPLICABLE MUST REMAIN WITHIN DIMENSIONS		THIRD ANGLE PROJECTION	DRAWING				
			D-SIZE	100014			

DOCUMENT STATUS	P1	RELEASE DATE	2022/07/07	13:29:45
-----------------	----	--------------	------------	----------

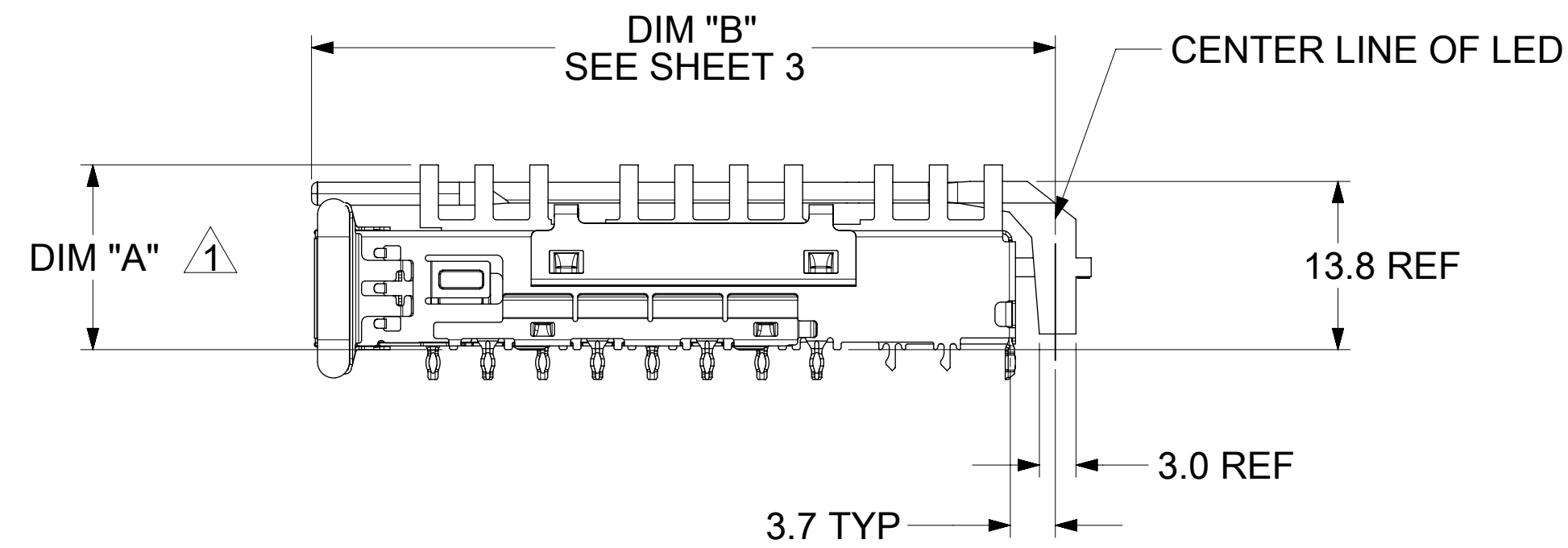
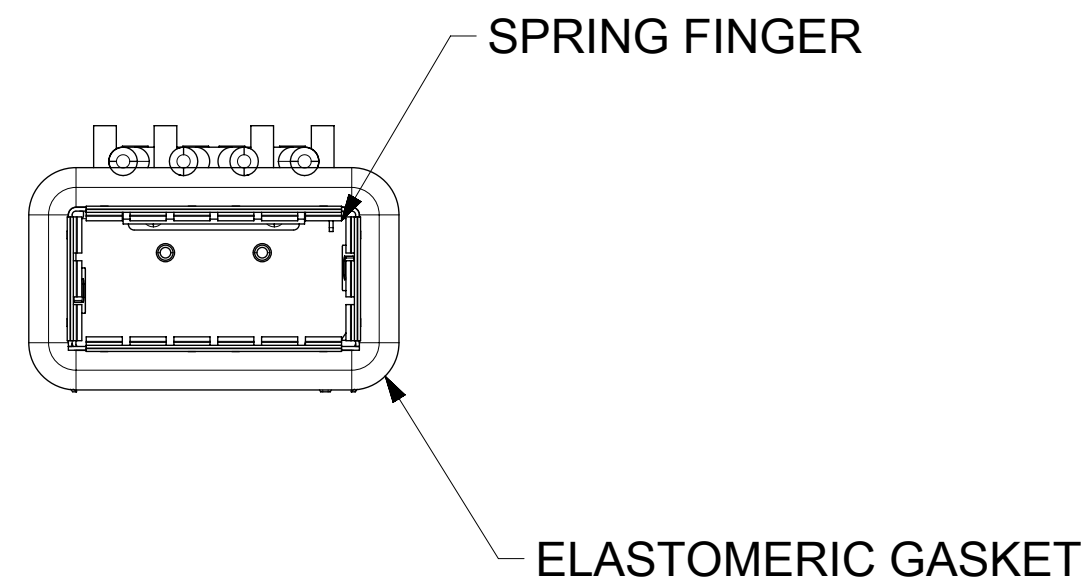
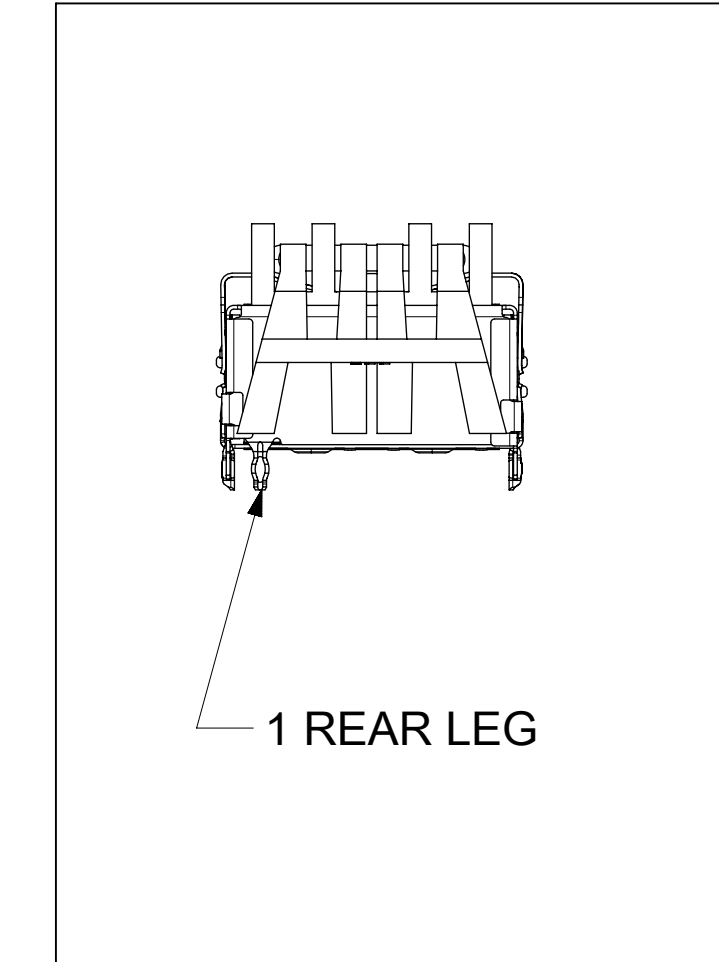
CAGE ASSEMBLY OPTIONS



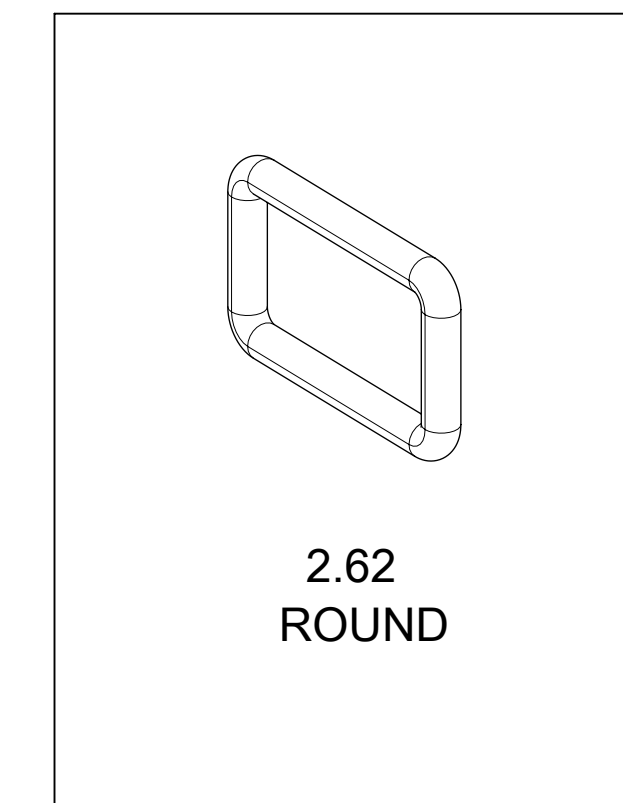
1000143748
SHOWN



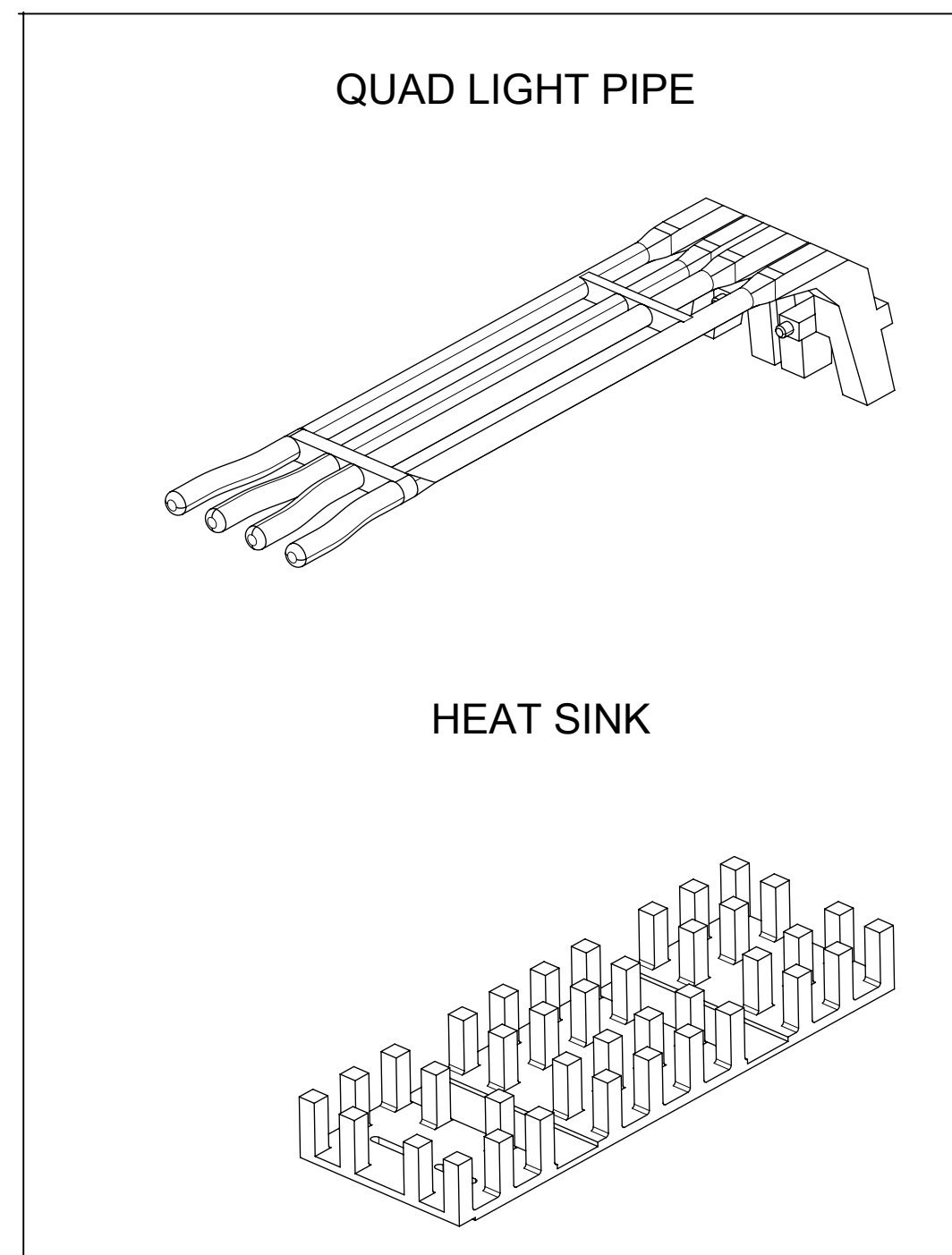
REAR LEG OPTIONS (GASKET AND FRAME REMOVED FOR CLARITY)



ELASTOMERIC GASKET OPTIONS



HEATSINK AND LIGHT PIPE COMBINATIONS



HEATSINK HEIGHT OPTIONS

OVERALL HEAT SINK HEIGHT	DIM "A"
SAN	16.0 REF
NET	23.0 REF

\triangle HEIGHT OF HEAT SINK WITH MODULE INSERTED.
DIMENSION MAY BE LESS DUE TO MODULE AND HEAT SINK VARIATIONS

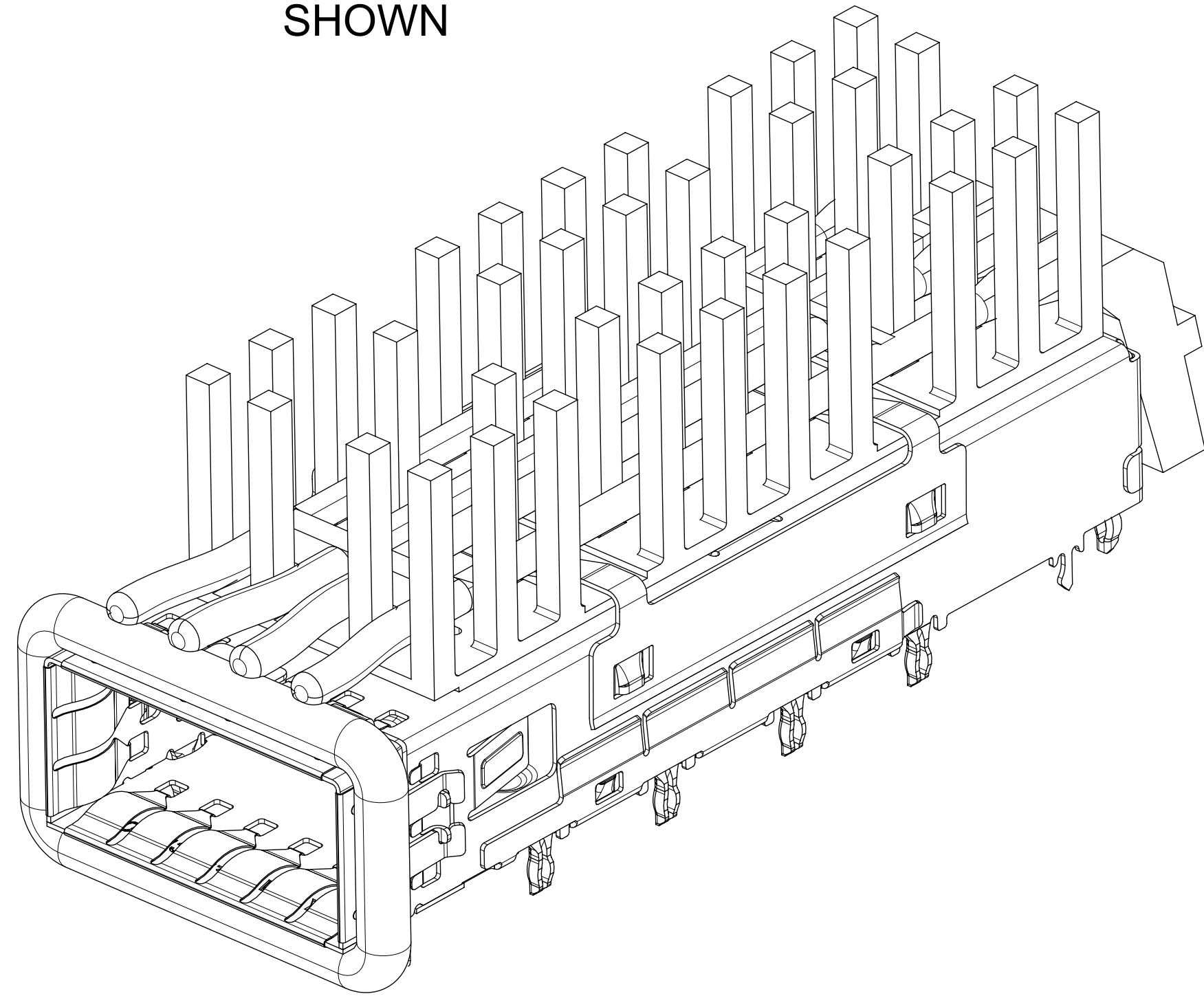
THIS DRAWING CONTAINS INFORMATION THAT IS PROPRIETARY TO MOLEX ELECTRONIC TECHNOLOGIES, LLC AND SHOULD NOT BE USED WITHOUT WRITTEN PERMISSION

DIMENSION UNITS mm	SCALE 2:1	CURRENT REV DESC: SEE REVISION TABLE					
GENERAL TOLERANCES (UNLESS SPECIFIED)						1X1 ZQSFP+ CAGE ASSY, GASKET TYPE W/ SUS INNER SPRING FINGER, HEATSINK AND QUAD LIGHT PIPE	
ANGULAR TOL \pm 2.0°	4 PLACES \pm	EC NO: 712623	PRODUCT CUSTOMER DRAWING				
3 PLACES \pm	2 PLACES \pm 0.13	DRWN: CHETHH2 2022/05/30	DOCUMENT NUMBER	DOC TYPE	DOC PART	REVISION	
1 PLACE \pm 0.25	0 PLACES \pm	CHK'D: TKUMARKC 2022/06/25	1000143748	PSD	ASY	A	
DRAFT WHERE APPLICABLE MUST REMAIN WITHIN DIMENSIONS		APPR: SCHIEN 2022/07/07					MATERIAL NUMBER
		THIRD ANGLE PROJECTION	DRAWING	SERIES	SEE P/N TABLE	GENERAL MARKET	2 OF 7

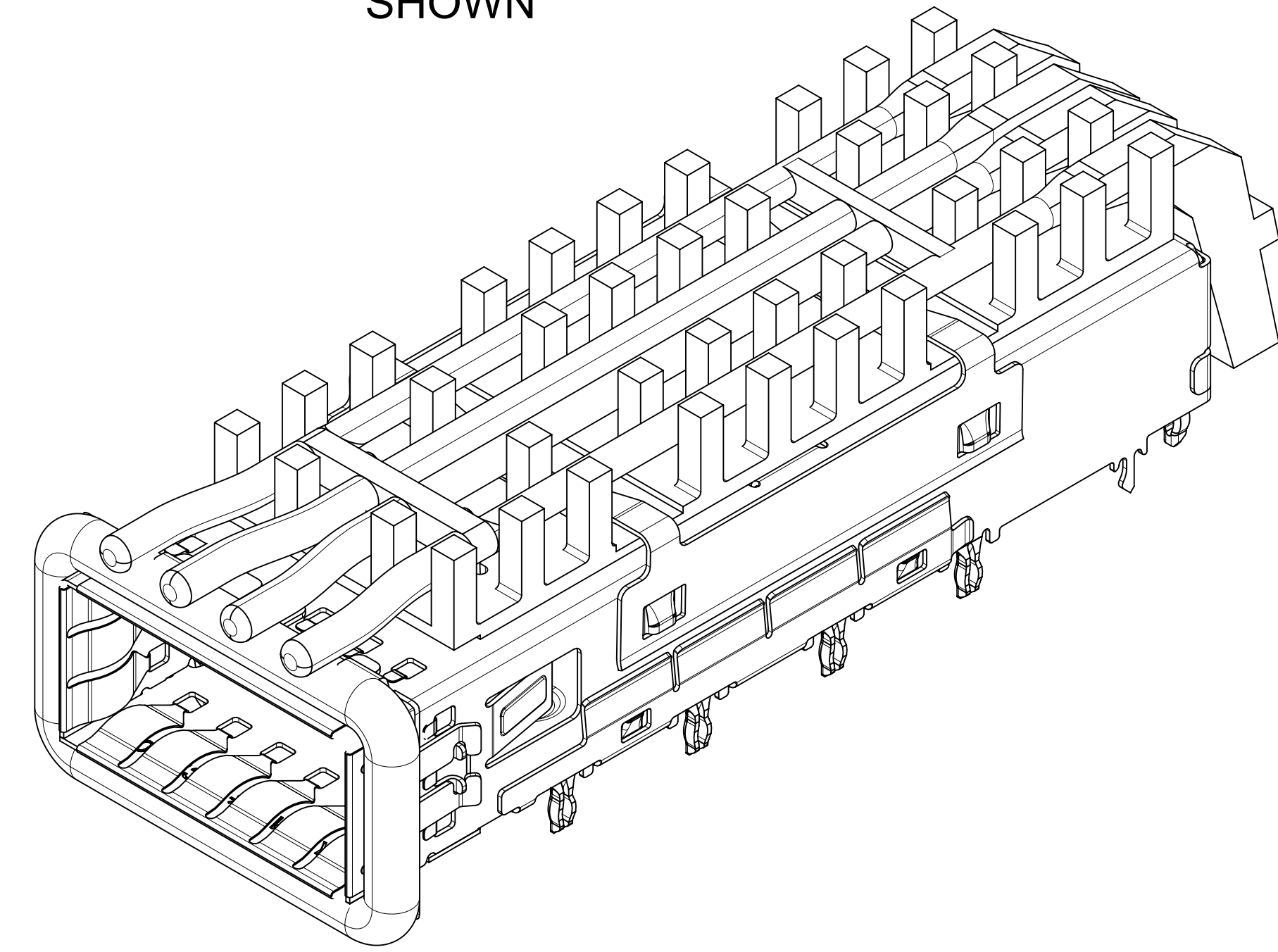
PART NUMBER SELECTION

(ROUND GASKET OPTION)

1000143748
SHOWN



1000144547
SHOWN



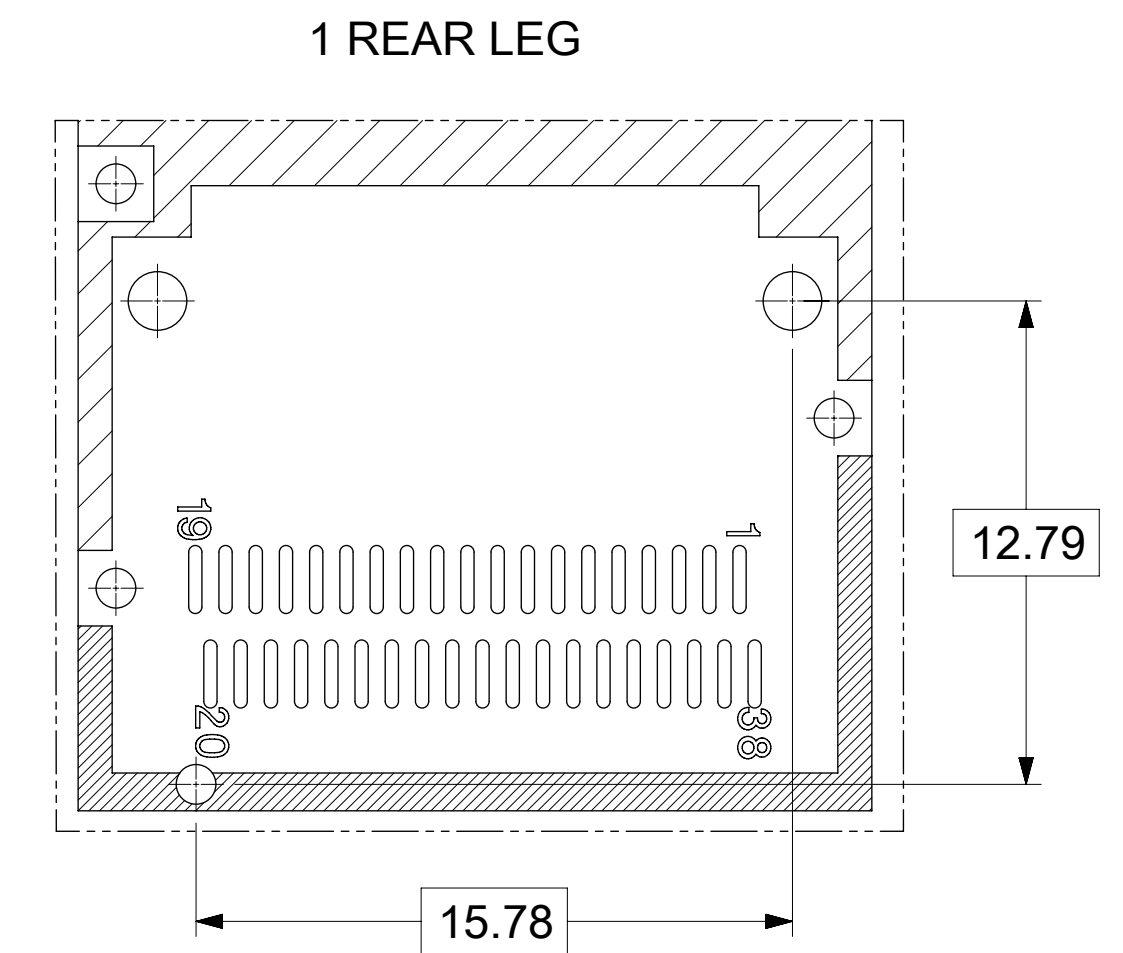
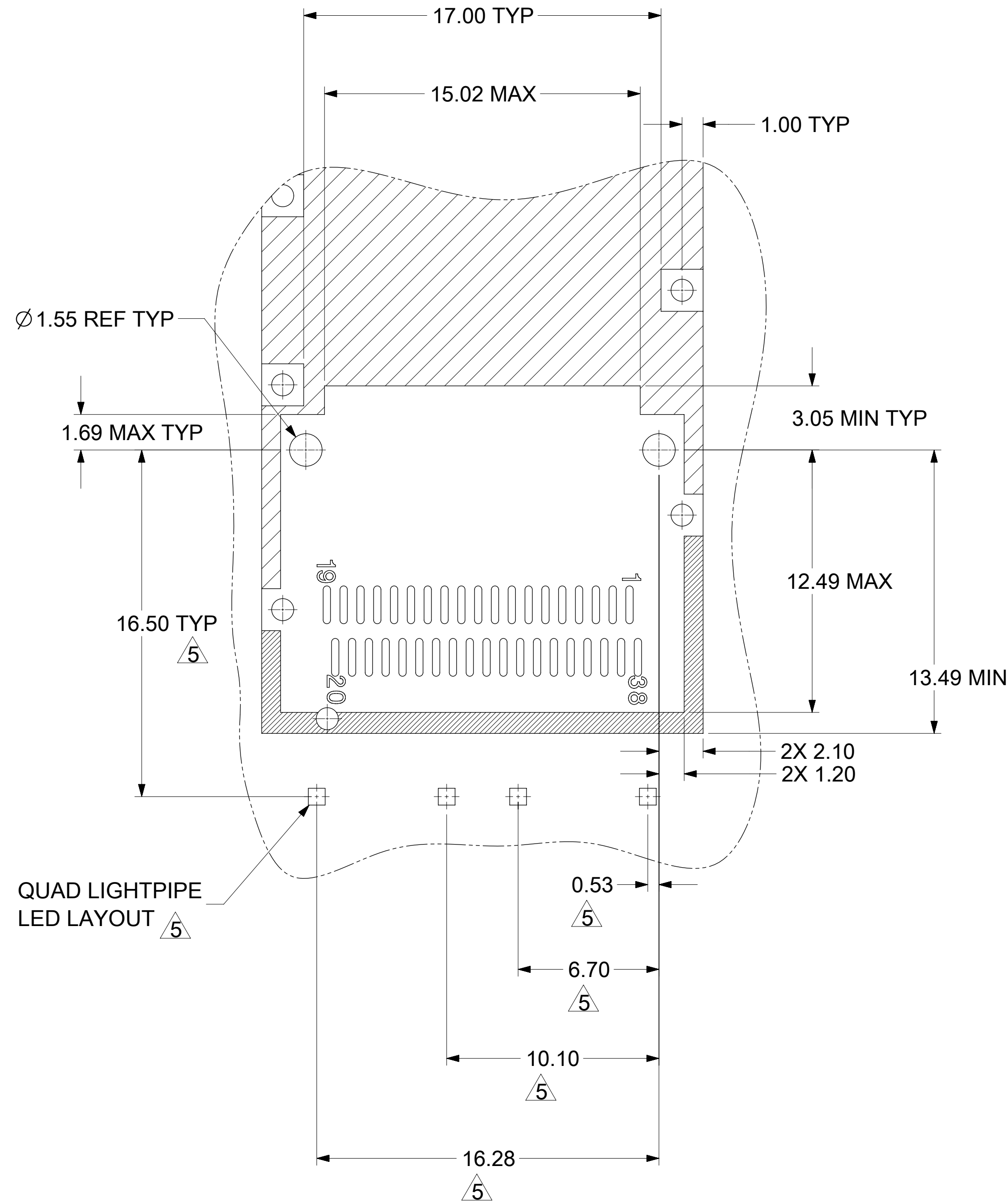
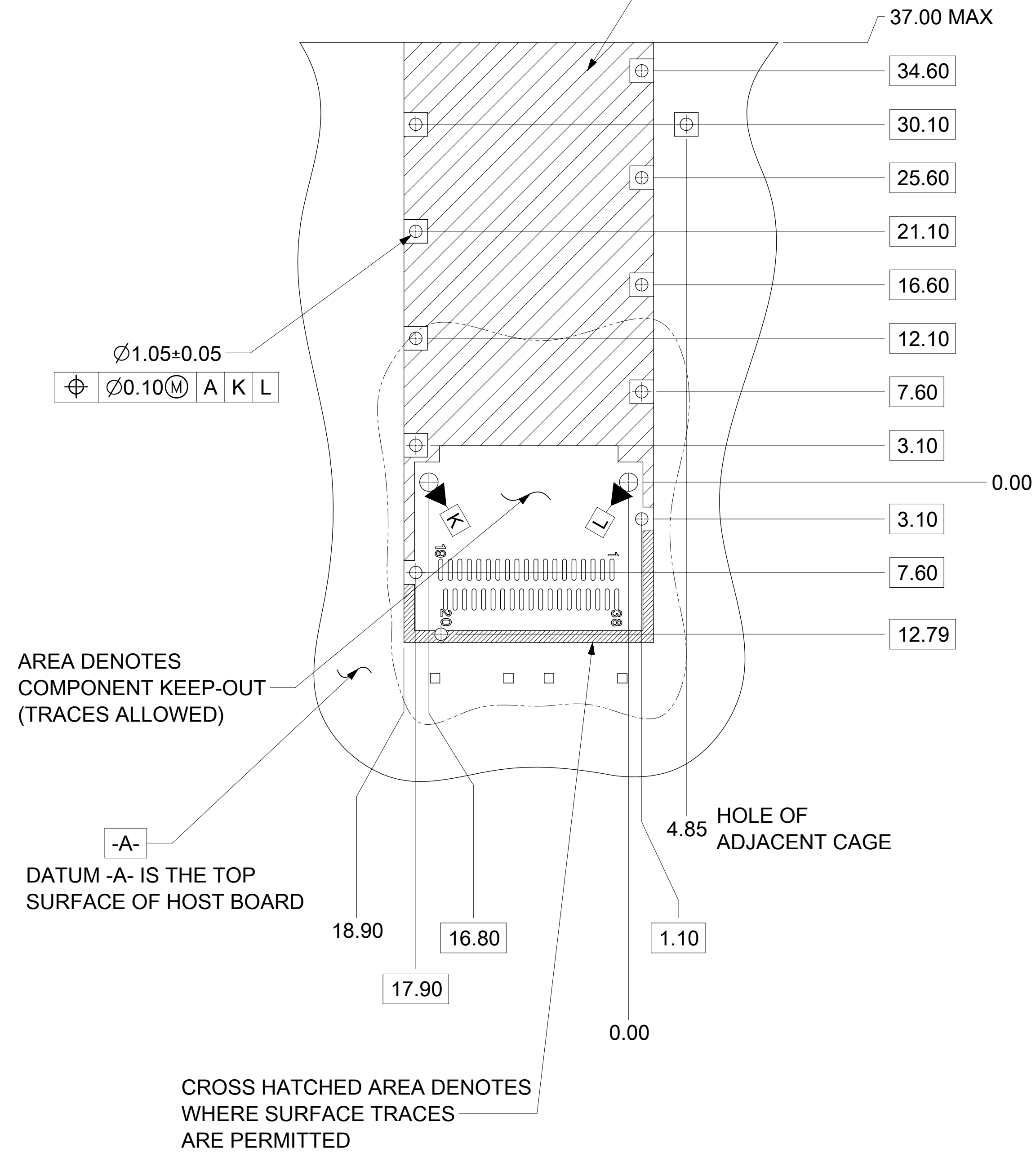
WITH HEATSINKS AND LIGHT PIPES

MOLEX P/N	LIGHTPIPES	HEATSINKS	#OF REAR LEGS PER PORT	DIM "B"
1000143748	QUAD	NET	1	59.50 REF
1000144547	QUAD	SAN	1	61.10 REF

THIS DRAWING CONTAINS INFORMATION THAT IS PROPRIETARY TO MOLEX ELECTRONIC TECHNOLOGIES, LLC AND SHOULD NOT BE USED WITHOUT WRITTEN PERMISSION											
DIMENSION UNITS	SCALE	CURRENT REV DESC: SEE REVISION TABLE									
mm	1.5:1	<div style="font-size: 24px; font-weight: bold; margin-bottom: 10px;">molex</div> <p style="font-size: 10px; margin: 0;">1X1 ZQSFP+ CAGE ASSY, GASKET TYPE W/ SUS INNER SPRING FINGER, HEATSINK AND QUAD LIGHT PIPE</p> <p style="font-size: 10px; margin: 0;">PRODUCT CUSTOMER DRAWING</p>									
GENERAL TOLERANCES (UNLESS SPECIFIED)											
ANGULAR TOL ± 2.0°											
4 PLACES ±	EC NO: 712623										
3 PLACES ±	DRWN: CHETHH2 2022/05/30										
2 PLACES ± 0.13	CHK'D: TKUMARKC 2022/06/25										
1 PLACE ± 0.25	APPR: SCHIEN 2022/07/07										
0 PLACES ±	INITIAL REVISION:										
DRAFT WHERE APPLICABLE MUST REMAIN WITHIN DIMENSIONS		DRWN: CHETHH2 2022/05/30	APPR: SCHIEN 2022/07/07	DOCUMENT NUMBER		DOC TYPE	DOC PART	REVISION			
		1000143748		PSD	ASY	A					
		THIRD ANGLE PROJECTION	DRAWING	SERIES	MATERIAL NUMBER	CUSTOMER		SHEET NUMBER			
			D-SIZE	100014	SEE P/N TABLE	GENERAL MARKET		3 OF 7			

PCB LAYOUT FOR SINGLE SIDED MOUNTING

HATCHED AREA DENOTES
COMPONENT AND TRACE KEEP-OUT
(EXCEPT CHASSIS GROUND)



- NOTES:
1. PADS AND VIAS GO TO CHASSIS GROUND. (RECOMMENDED PADS TO BE 2.00mm SQUARE.)
 2. RECOMMENDED THRU HOLE PLATING INCLUDES HASL, OSP, OR IMMERSION (GOLD, SILVER, OR TIN).
 3. CONNECTOR PAD LAYOUT PER SFF-8663 WILL ACCOMODATE MOLEX CONNECTOR SERIES 170432.
 4. HOLE PATTERN REPEATS FOR EACH PORT
- 5 NOTED DIMENSIONS ONLY APPLY TO CAGE ASSEMBLIES WITH LIGHT PIPES.

DETAIL 1
SCALE 6:1

THIS DRAWING CONTAINS INFORMATION THAT IS PROPRIETARY TO MOLEX ELECTRONIC TECHNOLOGIES, LLC AND SHOULD NOT BE USED WITHOUT WRITTEN PERMISSION											
DIMENSION UNITS		SCALE		CURRENT REV DESC: SEE REVISION TABLE							
mm		3.5:1									
GENERAL TOLERANCES (UNLESS SPECIFIED)											
ANGULAR TOL				± 2.0°							
4 PLACES		±		EC NO: 712623							
3 PLACES		±		DRWN: CHETHH2 2022/05/30							
2 PLACES		± 0.13		CHK'D: TKUMARKC 2022/06/25							
1 PLACE		± 0.25		APPR: SCHIEN 2022/07/07							
0 PLACES		±		INITIAL REVISION:							
DRAFT WHERE APPLICABLE MUST REMAIN WITHIN DIMENSIONS				THIRD ANGLE PROJECTION		DRAWING		SERIES		MATERIAL NUMBER	
						D-SIZE		100014		SEE P/N TABLE	
								CUSTOMER		SHEET NUMBER	
								GENERAL MARKET		4 OF 7	

molex

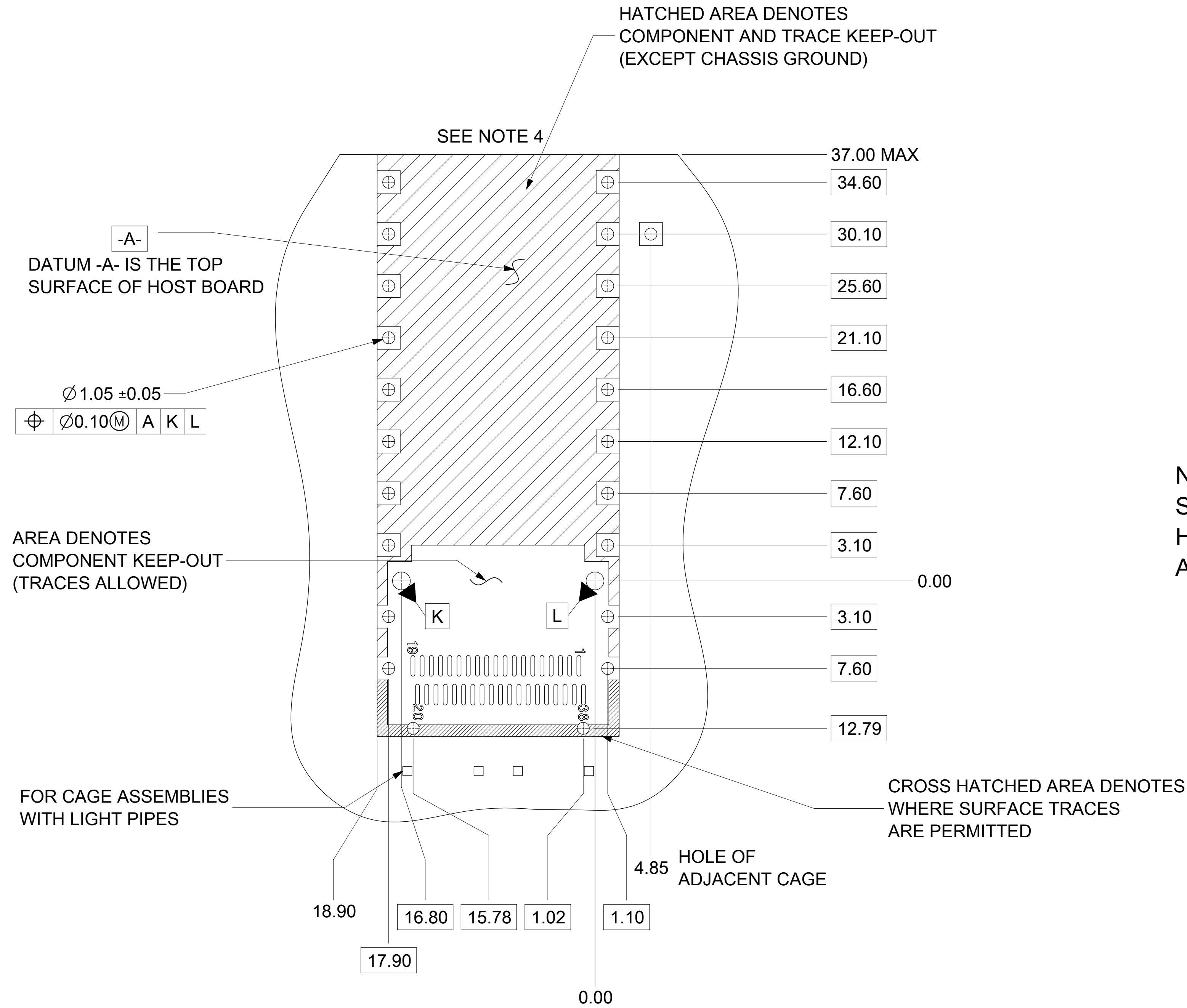
1X1 ZQSFP+ CAGE ASSY, GASKET TYPE
W/ SUS INNER SPRING FINGER, HEATSINK AND
QUAD LIGHT PIPE

PRODUCT CUSTOMER DRAWING

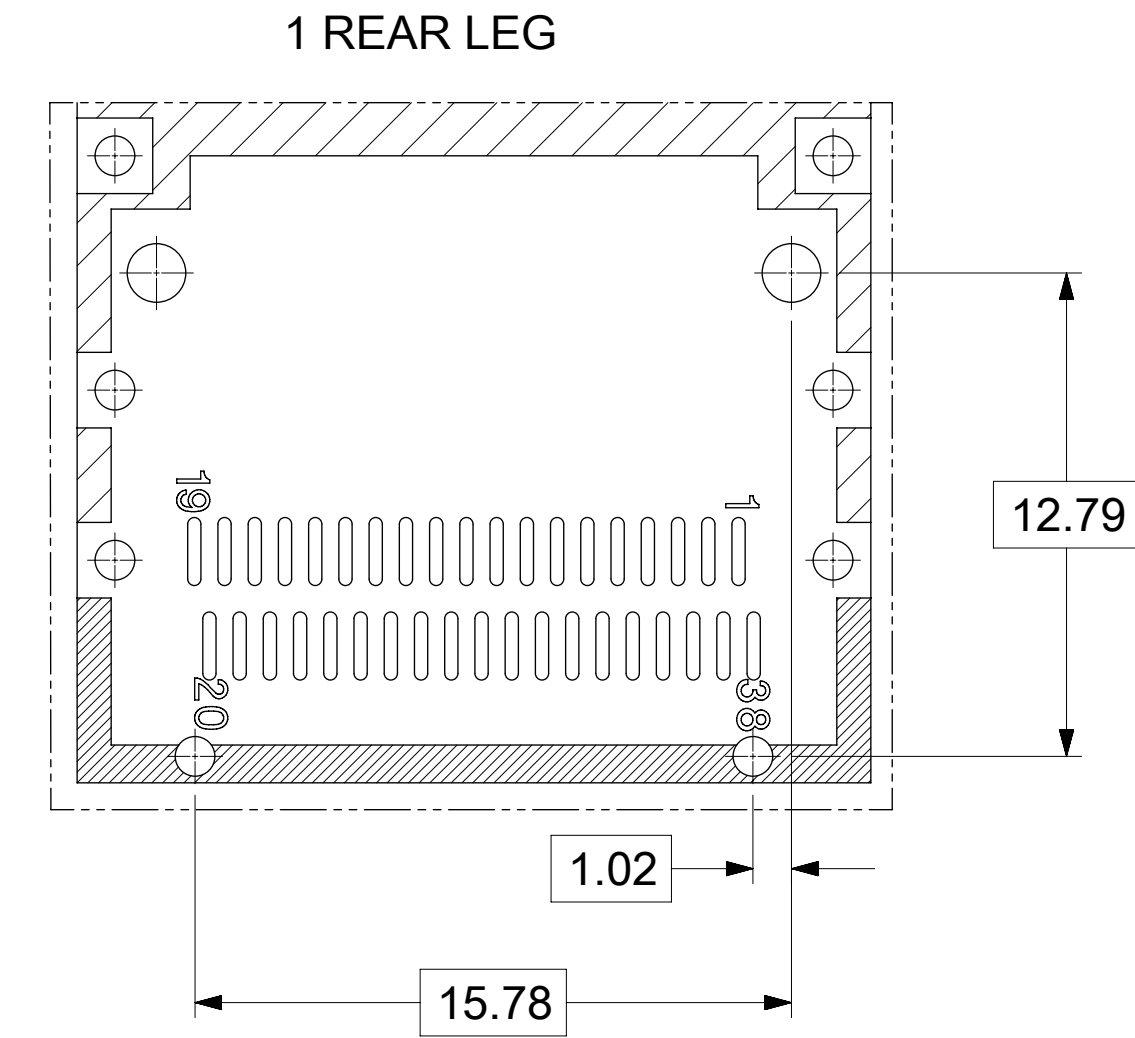
DOCUMENT NUMBER DOC TYPE DOC PART REVISION

1000143748 PSD ASY A

PCB LAYOUT FOR BELLY TO BELLY MOUNTING



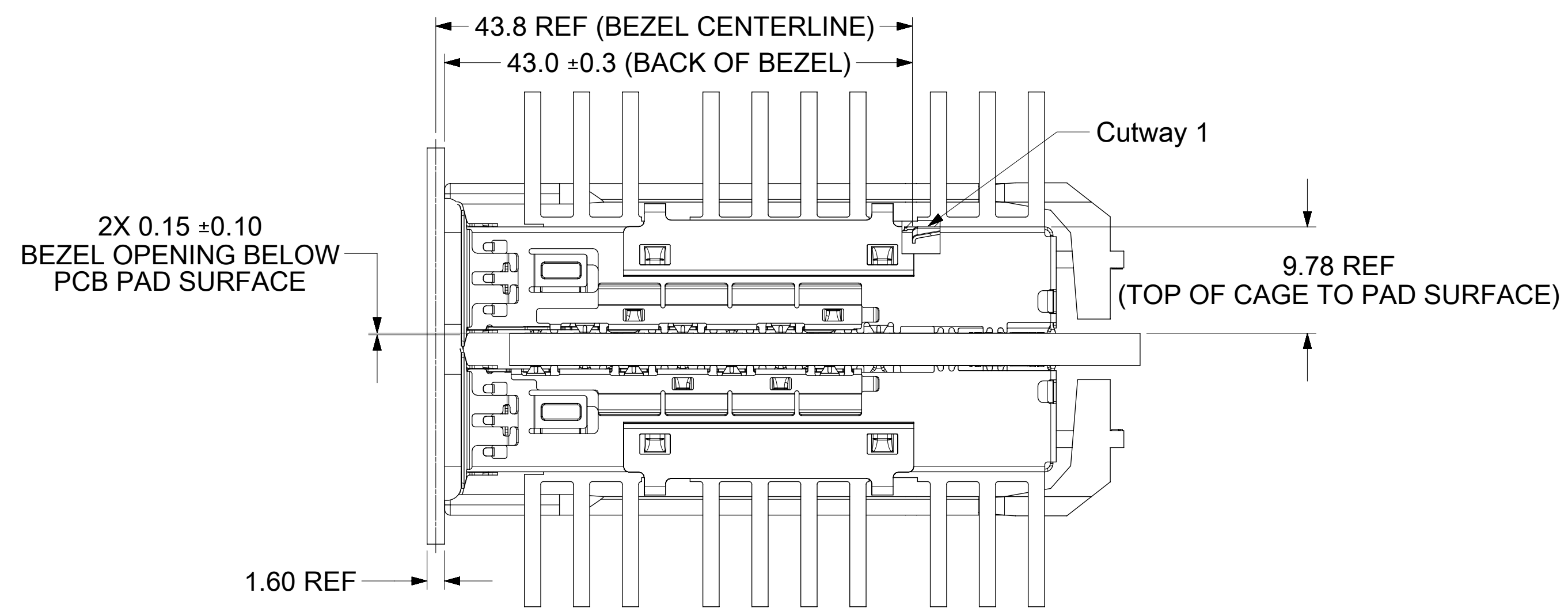
NOTE:
SEE SHEET 5 FOR
HOST CONNECTOR DETAIL
AND LED LOCATION DETAILS



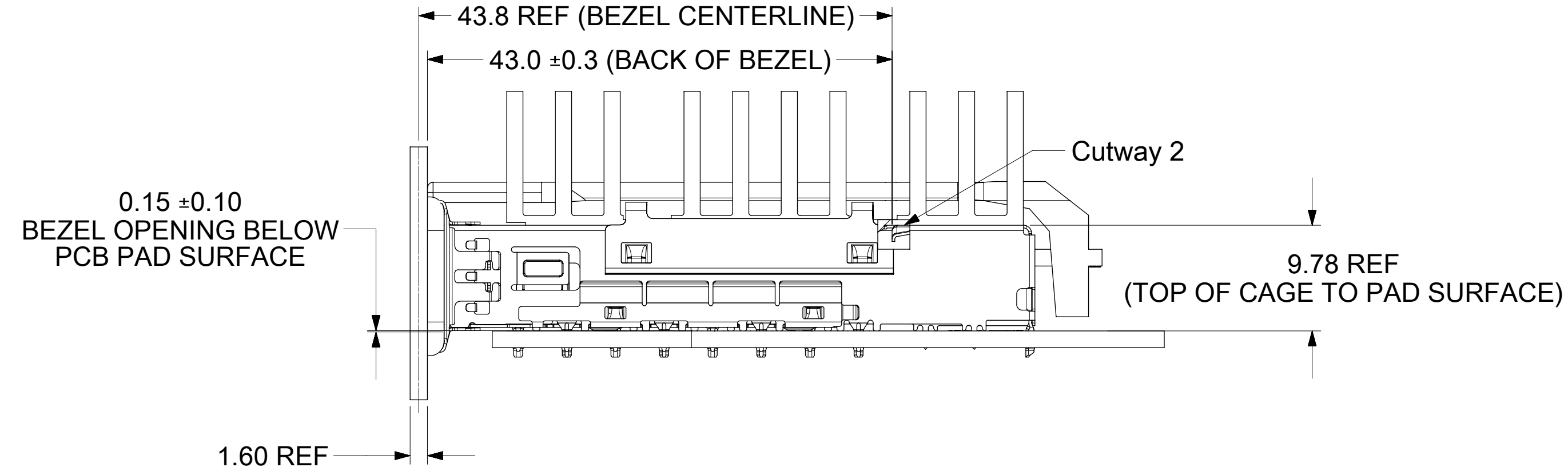
- NOTES:
1. PADS AND VIAS GO TO CHASSIS GROUND. (RECOMMENDED PADS TO BE 2.00mm SQUARE.)
 2. RECOMMENDED THRU HOLE PLATING INCLUDES HASL, OSP, OR IMMERSION (GOLD, SILVER, OR TIN).
 3. CONNECTOR PAD LAYOUT PER SFF-8663 WILL ACCOMODATE MOLEX CONNECTOR SERRIES 170432.
 4. HOLE PATTERN REPEATS FOR EACH PORT.

THIS DRAWING CONTAINS INFORMATION THAT IS PROPRIETARY TO MOLEX ELECTRONIC TECHNOLOGIES, LLC AND SHOULD NOT BE USED WITHOUT WRITTEN PERMISSION									
DIMENSION UNITS mm		SCALE 4:1		CURRENT REV DESC: SEE REVISION TABLE					
GENERAL TOLERANCES (UNLESS SPECIFIED)				molex 1X1 ZQSFP+ CAGE ASSY, GASKET TYPE W/ SUS INNER SPRING FINGER, HEATSINK AND QUAD LIGHT PIPE PRODUCT CUSTOMER DRAWING					
ANGULAR TOL ± 2.0°									
4 PLACES ±		EC NO: 712623							
3 PLACES ±		DRWN: CHETHH2 2022/05/30							
2 PLACES ± 0.13		CHK'D: TKUMARKC 2022/06/25							
1 PLACE ± 0.25		APPR: SCHIEN 2022/07/07		INITIAL REVISION:		DOCUMENT NUMBER		DOC TYPE DOC PART REVISION	
0 PLACES ±		DRWN: CHETHH2 2022/05/30		1000143748		PSD		ASY A	
APPR: SCHIEN 2022/07/07		THIRD ANGLE PROJECTION		DRAWING		SERIES		MATERIAL NUMBER CUSTOMER SHEET NUMBER	
DRAFT WHERE APPLICABLE MUST REMAIN WITHIN DIMENSIONS		D-SIZE		100014		SEE P/N TABLE		GENERAL MARKET 5 OF 7	

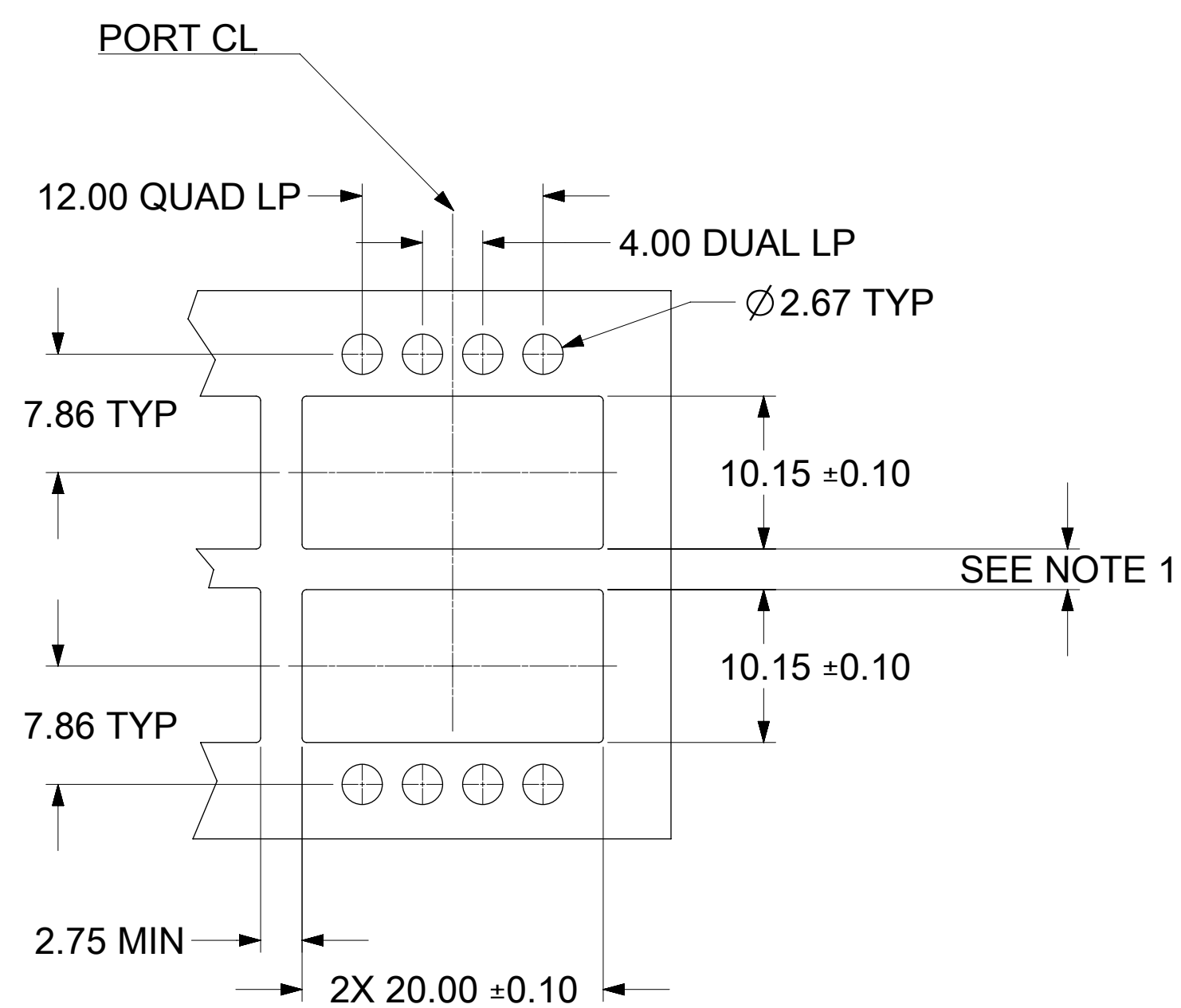
BEZEL AND BOARD POSITION DIMENSIONS FOR BELLY TO BELLY MOUNTING



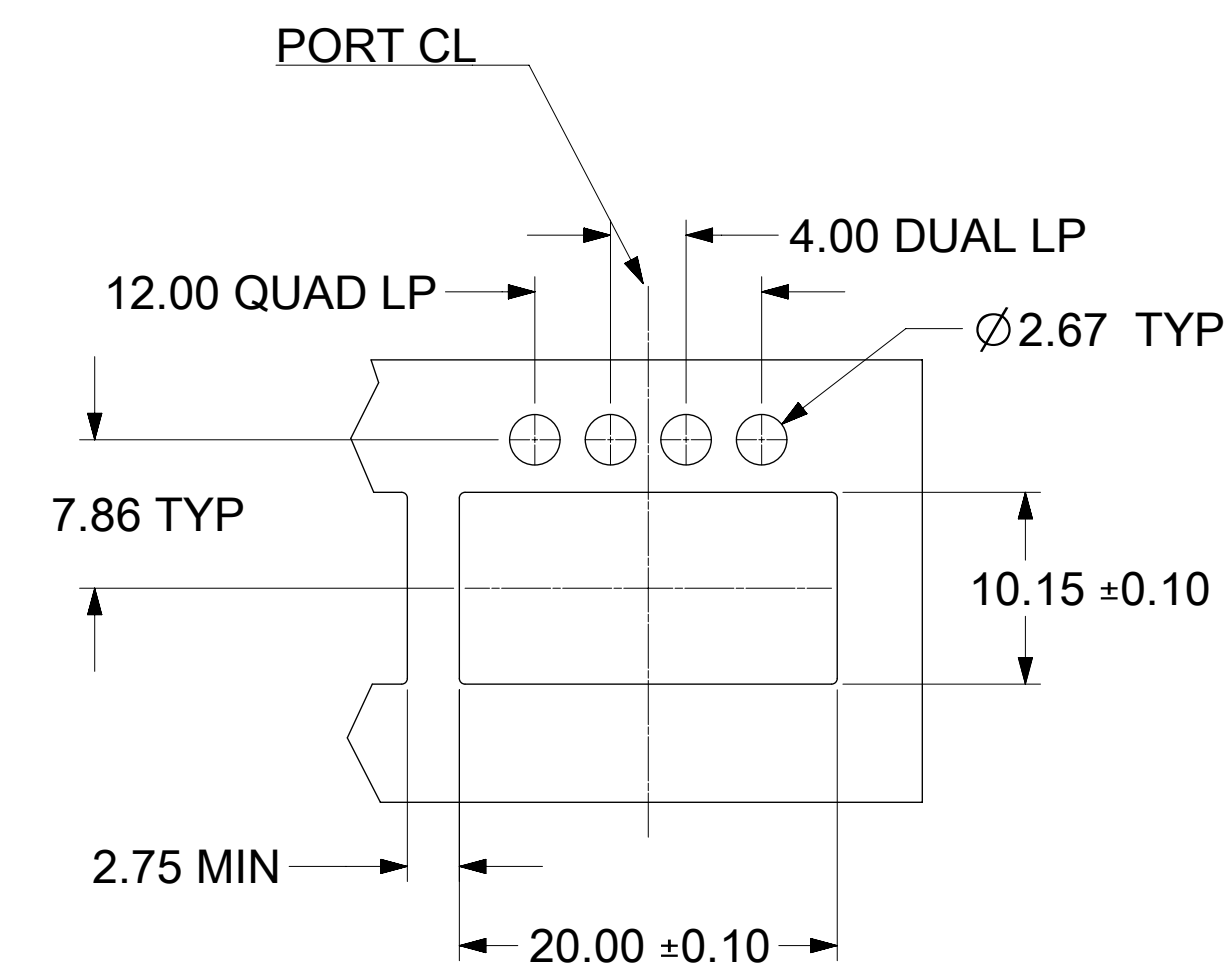
BEZEL AND BOARD POSITION DIMENSIONS FOR SINGLE SIDE MOUNTING



QUAD LIGHT PIPE ²



QUAD LIGHT PIPE ²



NOTE:

1. PCB THICKNESS VARIATION MUST BE CONSIDERED WHEN DETERMINING BEZEL OPENING LOCATION.

² NOTED DIMENSIONS ONLY APPLY TO CAGE ASSEMBLIES WITH LIGHT PIPES.

THIS DRAWING CONTAINS INFORMATION THAT IS PROPRIETARY TO MOLEX ELECTRONIC TECHNOLOGIES, LLC AND SHOULD NOT BE USED WITHOUT WRITTEN PERMISSION																					
DIMENSION UNITS	SCALE	CURRENT REV DESC: SEE REVISION TABLE																			
mm	2.5:1	<div style="text-align: center;">molex</div> <p>1X1 ZQSFP+ CAGE ASSY, GASKET TYPE W/ SUS INNER SPRING FINGER, HEATSINK AND QUAD LIGHT PIPE</p> <p>PRODUCT CUSTOMER DRAWING</p>																			
GENERAL TOLERANCES (UNLESS SPECIFIED)																					
ANGULAR TOL	± 2.0°																				
4 PLACES	±																				
3 PLACES	±																				
2 PLACES	± 0.13	EC NO: 712623	2022/05/30	<table border="1"> <tr> <td>DOCUMENT NUMBER</td> <td>DOC TYPE</td> <td>DOC PART</td> <td>REVISION</td> </tr> <tr> <td>1000143748</td> <td>PSD</td> <td>ASY</td> <td>A</td> </tr> </table>						DOCUMENT NUMBER	DOC TYPE	DOC PART	REVISION	1000143748	PSD	ASY	A				
DOCUMENT NUMBER	DOC TYPE	DOC PART	REVISION																		
1000143748	PSD	ASY	A																		
1 PLACE	± 0.25	DRWN: CHETHH2	2022/05/30																		
0 PLACES	±	CHK'D: TKUMARKC	2022/06/25																		
DRAFT WHERE APPLICABLE MUST REMAIN WITHIN DIMENSIONS		APPR: SCHIEN	2022/07/07	<table border="1"> <tr> <td>MATERIAL NUMBER</td> <td>CUSTOMER</td> <td colspan="2">SHEET NUMBER</td> </tr> <tr> <td>SEE P/N TABLE</td> <td>GENERAL MARKET</td> <td colspan="2">6 OF 7</td> </tr> </table>						MATERIAL NUMBER	CUSTOMER	SHEET NUMBER		SEE P/N TABLE	GENERAL MARKET	6 OF 7					
MATERIAL NUMBER	CUSTOMER	SHEET NUMBER																			
SEE P/N TABLE	GENERAL MARKET	6 OF 7																			
THIRD ANGLE PROJECTION		DRAWING		SERIES		<table border="1"> <tr> <td>INITIAL REVISION:</td> <td colspan="3">2022/07/07</td> </tr> <tr> <td>DRWN: CHETHH2</td> <td colspan="3">2022/05/30</td> </tr> <tr> <td>APPR: SCHIEN</td> <td colspan="3">2022/07/07</td> </tr> </table>				INITIAL REVISION:	2022/07/07			DRWN: CHETHH2	2022/05/30			APPR: SCHIEN	2022/07/07		
INITIAL REVISION:	2022/07/07																				
DRWN: CHETHH2	2022/05/30																				
APPR: SCHIEN	2022/07/07																				
D-DRAWING		D-SIZE		100014																	

