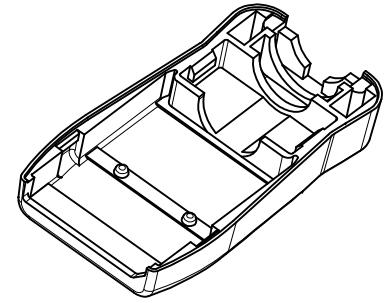
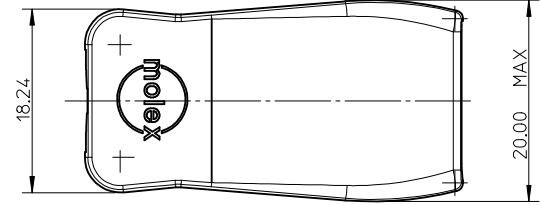
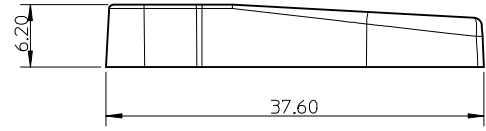
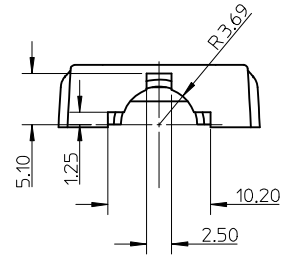


10 9 8 7 6 5 4 3 2 1

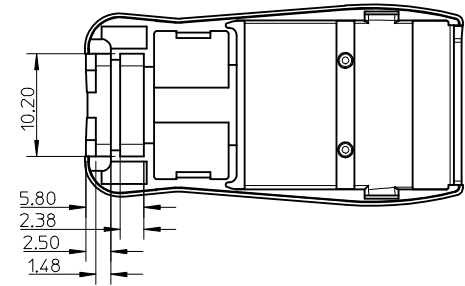
F



E



D



C

NOTES:
MATERIAL : HIGH TEMPERATURE THERMAL PLASTIC, UL94V-0, BLACK.

B

A

NEW RELEASE EC NO: SH2007-0705 DRWN: HHE CHKD: HWANG APPR: JNCHEN	2007/04/27 2007/04/30 2007/05/10	DESCRIPTION REV	QUALITY SYMBOLS ▽=0 Ⓢ=0	GENERAL TOLERANCES (UNLESS SPECIFIED)		DIMENSION STYLE MM ONLY		SCALE 3:1	DESIGN UNITS METRIC	THIRD ANGLE PROJECTION			
										COVER-DOWN FOR DISPLAYPORT			
				4 PLACES	± ---	± ---	DRAWN BY	DATE	TITLE				
				3 PLACES	± ---	± ---	QWFANG	2006/09/05					
2 PLACES	± 0.2	± ---	CHECKED BY	DATE									
1 PLACE	± 0.2	± ---	IWANG	2006/09/05									
ANGULAR ± 2 °				APPROVED BY	DATE	MOLEX INCORPORATED							
DRAFT WHERE APPLICABLE MUST REMAIN WITHIN DIMENSIONS				JNCHEN	2006/09/05								
				MATERIAL NO.	47271-0005	DOCUMENT NO.	SD-47271-005	SHEET NO.					
				SIZE	A3	THIS DRAWING CONTAINS INFORMATION THAT IS PROPRIETARY TO MOLEX INCORPORATED AND SHOULD NOT BE USED WITHOUT WRITTEN PERMISSION							

9 8 7 6 5 4 3 2 1