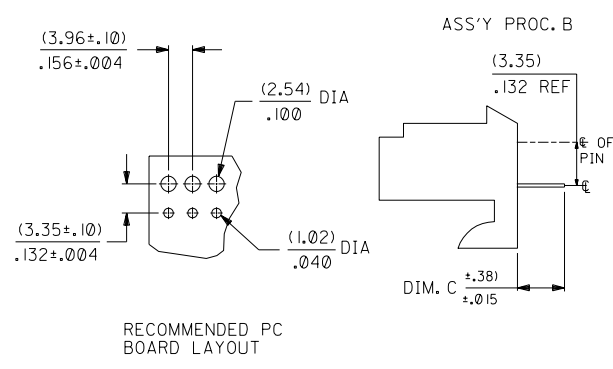


- NOTES:
1. TERMINALS MUST CONFORM TO SOLDERABILITY SPEC. ES-152.
 2. PARTS CONFORM TO PRODUCT SPEC 08-50.
 3. HOUSING MATERIAL: NYLON, UL LISTED
 4. "*" PRECEDING ENG. NO. IN CHARTS DESIGNATES STANDARD PRODUCT.
 5. TERMINAL TAIL CENTERLINES ARE TO BE WITHIN (.30)/.012 OF EACH OTHER.
 6. FOR KINKED PIN INFORMATION SEE SMES-42329-***.



A - 2145 - * * N * * * - *
 VOID LOCATION
 ASS'Y. PROCEDURE
 A=RIGHT ANGLE
 B=BOTTOM ENTRY
 C=TOP ENTRY
 D=TOP ENTRY WITH KINKED TAIL
 E=BOTTOM ENTRY WITH HOOKS CUT OFF
 F=TOP ENTRY WITH HOOKS CUT OFF
 PACKAGING CODE
 BLANK=BULK PACK
 A=TUBE PACK PER PK-40873-0026

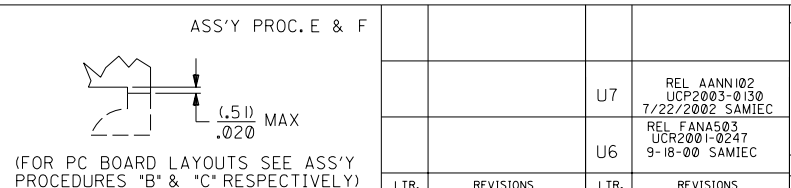
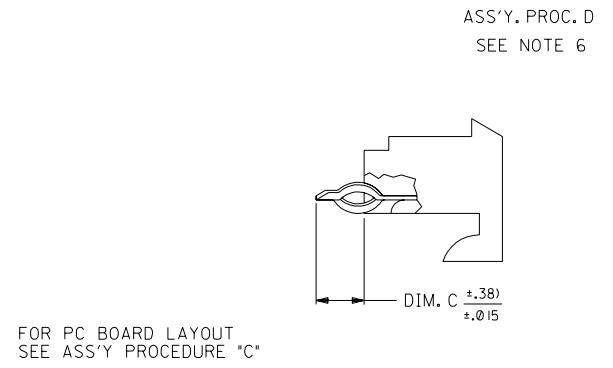
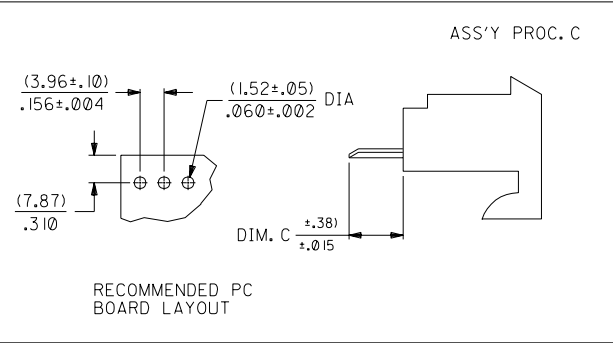
PLATING
 (102) 200 M.I. MIN TIN OVER 100 M.I. MIN COPPER
 (587) SELECT GOLD 15 M.I. MIN
 SELECT TIN-LEAD 75 M.I. MIN. OVER
 50 M.I. MIN NICKEL

- HOUSING NO.
- A=2145-N-AN 94V-2 NATURAL WITH RAMPES AND HOOKS
 - B=2145-NBK-AN 94V-2 DYED BLACK WITH RAMPES AND HOOKS
 - C=2145-A-AN 94V-0 NATURAL WITH RAMPES AND HOOKS
 - G=2145-N-CN 94V-2 NATURAL WITH HOOKS ONLY
 - H=2145-NGN-AN 94V-2 DYED GREEN WITH RAMPES AND HOOKS
 - J=2145-NYW-AN 94V-2 DYED YELLOW WITH RAMPES AND HOOKS
 - K=2145-NRD-AN 94V-2 DYED RED WITH RAMPES AND HOOKS
 - L=2145-N-AN-5 94V-2 NATURAL W/ RAMPES AND HOOKS MOLDED IN VOIDS

- TERMINAL NO.
- A=2144-AA-AIAA(+)B (BRASS)
 - B=2144-BA-AIAA(+)B (PHOS BRONZE)
 - C=2144-AA-A2AA(+)B (BRASS)
 - D=2144-BA-A2AA(+)B (PHOS BRONZE)
 - E=6298-A(+) (PHOS BRONZE) LOW FORCE
 - H=2188-(*) (BRASS)
 - J=2188-(*) (BRASS)
 - K=4244-(*) (BRASS)
 - L=6298-(*) (PHOS BRONZE)
 - M=2144-BA-BIAA(+)B (PHOS BRONZE) LOW FORCE
 - N=4244-A(+) (PHOS BRONZE)

NO. OF CKTS.	DIM. A	DIM. B	KINK PIN LOCATION (ASSY. PROC. D ONLY)
2	(3.96 ± .13) .156 ± .005	(7.82) .308	N/A
3	(7.92 ± .13) .312 ± .005	(11.79) .464	N/A
4	(11.89 ± .13) .468 ± .005	(15.75) .620	1, 2 3, 4
5	(15.85 ± .13) .624 ± .005	(19.71) .776	2, 3 4, 5
6	(19.81 ± .13) .780 ± .005	(23.67) .932	2, 3 4, 5
7	(23.77 ± .25) .936 ± .010	(27.64) 1.088	2, 3 5, 6
8	(27.74 ± .25) 1.092 ± .010	(31.60) 1.244	2, 3 6, 7
9	(31.70 ± .25) 1.248 ± .010	(35.56) 1.400	2, 3 7, 8
10	(35.66 ± .25) 1.404 ± .010	(39.52) 1.556	2, 3 8, 9
11	(39.62 ± .25) 1.560 ± .010	(43.48) 1.712	2, 3 9, 10
12	(43.59 ± .25) 1.716 ± .010	(47.45) 1.868	2, 3 10, 11
13	(47.55 ± .25) 1.872 ± .010	(51.41) 2.024	2, 3 11, 12
14	(51.51 ± .36) 2.028 ± .014	(55.37) 2.180	2, 3 12, 13
15	(55.47 ± .36) 2.184 ± .014	(59.33) 2.336	2, 3 13, 14
16	(59.44 ± .36) 2.340 ± .014	(63.30) 2.492	2, 3 14, 15

20	U
19	T
18	U7
17	M
16	T6
15	T
14	T2
13	U6
12	U5
11	R3
10	U
9	T
8	T
7	U3
6	U
5	U
4	U
3	U
2	U
1	U7



DIMENSIONS SHOWN (METRIC) INCH UNLESS OTHERWISE SPECIFIED TOLERANCES: ANGULAR ± 1/2°

INCH	METRIC
3 PLACE ± .010	---
2 PLACE ± .014	± 0.25
1 PLACE ---	± 0.36

DRAFT WHERE APPLICABLE MUST REMAIN WITHIN DIMENSIONS

DRWG. PEREZ-ARGUETA BY LENZ SCALE

CHK'D. PATEL

FILE NAME S2145X1

TITLE HOUSING ASS'Y, P.C. TAIL (3.96)/.156 C 2145 SERIES DRAWING

MOLEX INCORPORATED U.S.A. 1 OF 20 7 / 9 / 87

SEE CHART SDA-2145

THIS DRAWING CONTAINS INFORMATION THAT IS PROPRIETARY TO MOLEX INC. AND SHOULD NOT BE USED WITHOUT WRITTEN PERMISSION.

A-2145-AANA(587)-*			A-2145-AGNA(P913)-*			A-2145-BANH(102)-*			A-2145-BANH(122)-*		
PART NO.	ENG. NO(SUFFIX ONLY)	VOID CKT.	PART NO.	ENG. NO(SUFFIX ONLY)	VOID CKT.	PART NO.	ENG. NO(SUFFIX ONLY)	VOID CKT.	PART NO.	ENG. NO(SUFFIX ONLY)	VOID CKT.
09-62-302I	-AA2A(587)			-AG2A(P913)			-BA2H(102)			-BA2H(122)	
09-62-303I	-AA3A(587)			-AG3A(P913)			-BA3H(102)			-BA3H(122)	
09-62-304I	-AA4A(587)			-AG4A(P913)		09-52-1042	-BA4H(102)		09-86-3042	-BA4H(122)	
09-62-305I	-AA5A(587)			-AG5A(P913)			-BA5H(102)			-BA5H(122)	
09-62-306I	-AA6A(587)			-AG6A(P913)			-BA6H(102)			-BA6H(122)	
09-62-307I	-AA7A(587)			-AG7A(P913)			-BA7H(102)		09-86-3072	-BA7H(122)	
09-62-308I	-AA8A(587)			-AG8A(P913)			-BA8H(102)		09-86-3082	-BA8H(122)	
09-62-309I	-AA9A(587)		09-52-2097	-AG9A(P913)		09-52-1092	-BA9H(102)		09-86-3092	-BA9H(122)	
09-62-310I	-AA10A(587)			-AG10A(P913)			-BA10H(102)		09-86-3102	-BA10H(122)	
09-62-311I	-AA11A(587)			-AG11A(P913)			-BA11H(102)		09-86-3112	-BA11H(122)	
09-62-312I	-AA12A(587)			-AG12A(P913)			-BA12H(102)		09-86-3122	-BA12H(122)	
09-62-313I	-AA13A(587)			-AG13A(P913)			-BA13H(102)			-BA13H(122)	
09-62-314I	-AA14A(587)			-AG14A(P913)			-BA14H(102)			-BA14H(122)	
09-62-315I	-AA15A(587)			-AG15A(P913)		09-52-1152	-BA15H(102)		09-86-3152	-BA15H(122)	
	-AA16A(587)			-AG16A(P913)			-BA16H(102)			-BA16H(122)	

COLUMN NO. 1			CON'T. IN COLUMN NO. SHEET NO.			COLUMN NO. 2			CON'T. IN COLUMN NO. SHEET NO.			COLUMN NO. 3			CON'T. IN COLUMN NO. SHEET NO.			COLUMN NO. 4			CON'T. IN COLUMN NO. SHEET NO.		
SEE SHEET I			M7			SEE SHEET I			SEE SHEET I			SEE SHEET I			M1			SEE SHEET I			SEE SHEET I		
SEE SHEET I			M			SEE SHEET I			SEE SHEET I			SEE SHEET I			SEE SHEET I			SEE SHEET I			SEE SHEET I		
SEE SHEET I			D8			SEE SHEET I			SEE SHEET I			SEE SHEET I			SEE SHEET I			SEE SHEET I			SEE SHEET I		
SEE SHEET I			D1			SEE SHEET I			SEE SHEET I			SEE SHEET I			SEE SHEET I			SEE SHEET I			SEE SHEET I		
SEE SHEET I			D			SEE SHEET I			SEE SHEET I			SEE SHEET I			SEE SHEET I			SEE SHEET I			SEE SHEET I		
SEE SHEET I			A			SEE SHEET I			SEE SHEET I			SEE SHEET I			SEE SHEET I			SEE SHEET I			SEE SHEET I		
LTR.			REVISIONS			LTR.			REVISIONS			LTR.			REVISIONS			LTR.			REVISIONS		

DIMENSIONS SHOWN (METRIC) INCH
UNLESS OTHERWISE SPECIFIED
TOLERANCES ANGULAR ± 1/2°

INCH		METRIC	
3 PLACE	±		
2 PLACE	±		
1 PLACE	±		

DRAFT WHERE APPLICABLE MUST REMAIN WITHIN DIMENSIONS

DRWG. PEREZ; ENK'D. PATEL
BY: ARGUETA

APP'D. LENZ SCALE: 1:1

▽ = 0 ▽ = 0 **REVISE ONLY ON CAD SYSTEM**

TITLE: HOUSING ASS'Y, P.C. TAIL
(3,96)/.156 C
2145 SERIES DRAWING

MOLEX INCORPORATED U.S.A. SHEET NO. 9 DATE 7/9/87
LISLE, ILL. 60532

PART NO. **SEE CHART** DRWG. NO. **SDA-2145**

FILE NAME: S2145X9 THIS DRAWING CONTAINS INFORMATION THAT IS PROPRIETARY TO MOLEX INC. AND SHOULD NOT BE USED WITHOUT WRITTEN PERMISSION

DIN. SIZE C C

2145