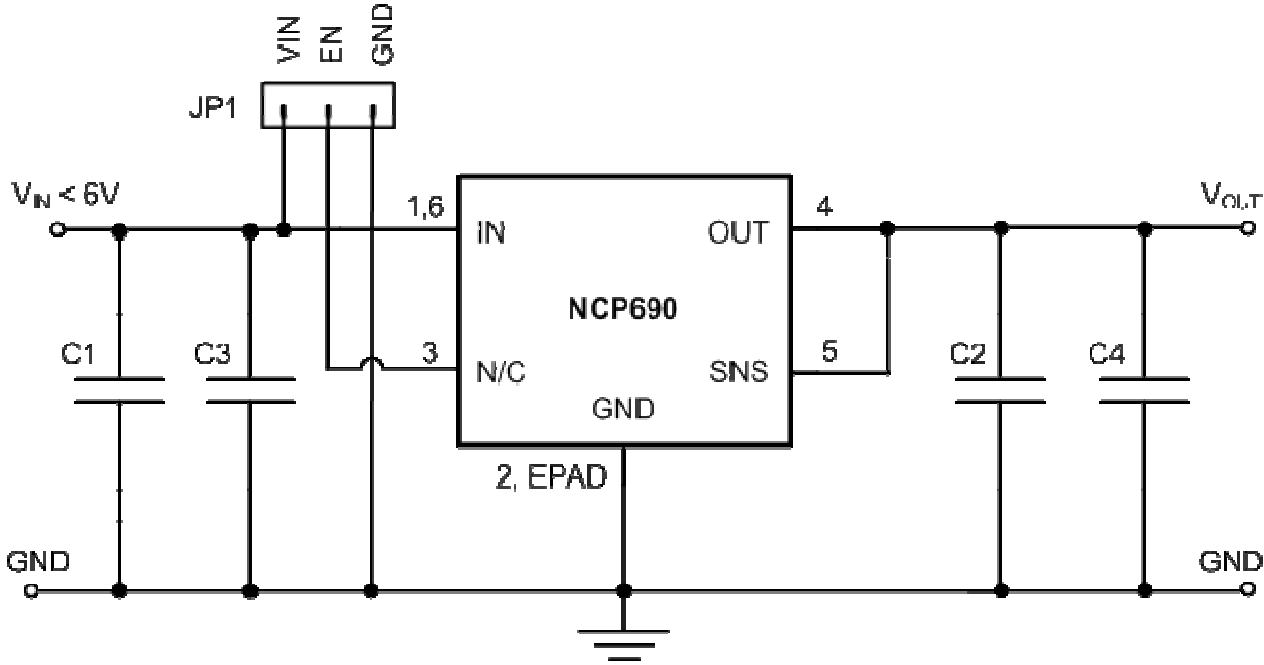


Schematic for the NCP690MN25T2GEVB LDO Demonstration Board



NCP692, 1A, Fixed Output Voltage LDO Schematic View