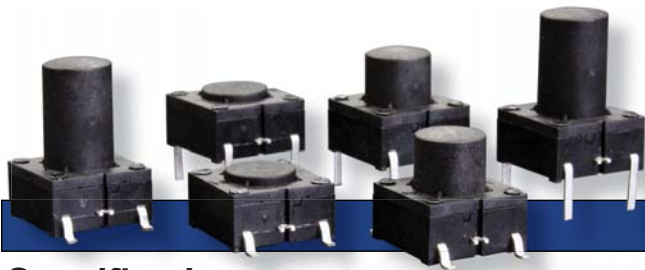


RoHS Compliant



Specifications

Electrical Ratings	50mA @ 24VDC
Electrical Life	10,000,000 cycles typical
Contact Resistance	<50mΩ initial
Actuation Force	350 ± 100gF
Actuation Travel	1.0 ± 0.3mm

Dielectric Strength	250Vrms min between contacts
Insulation Resistance	>100MΩ min @ 250VDC
Operating Temperature	-40°C to 85°C
Storage Temperature	-40°C to 85°C
Sealing Degree	IP67

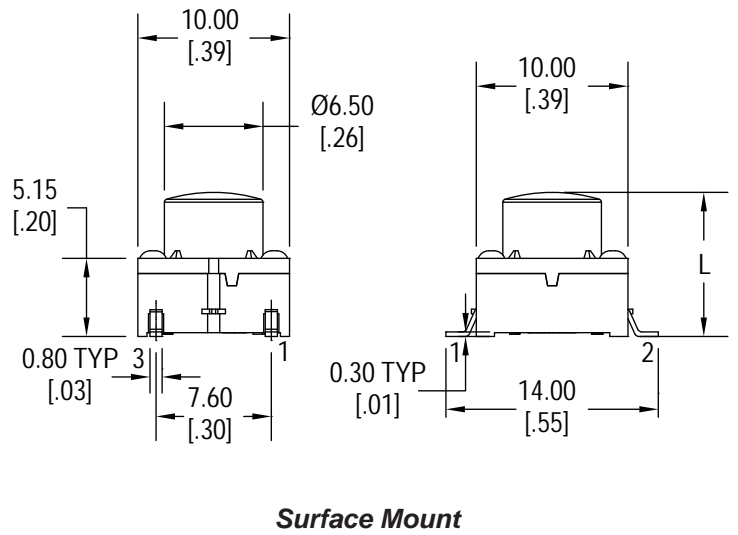
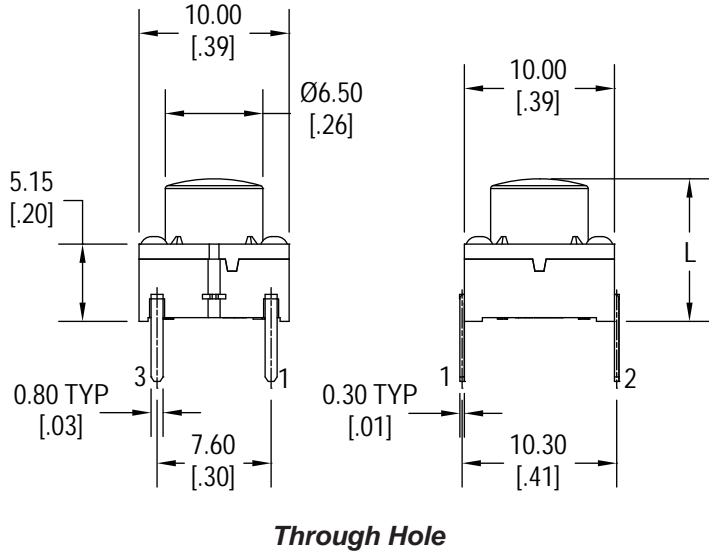
Materials

Actuator	PA6T Polyamide
Housing/Cover	PA6T Polyamide
Internal Seal	Silicon Rubber
Dome Contact	Stainless Steel, Silver Plated
Contacts/Terminals	Copper Alloy, Silver Plated

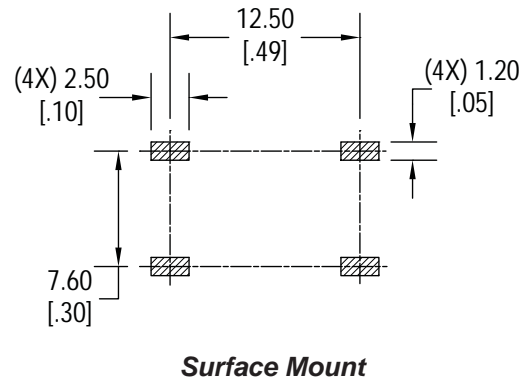
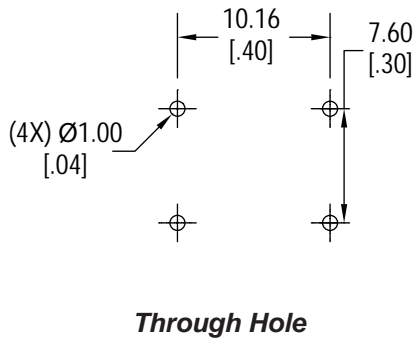
Ordering Information

1. Series	ME	01	12.0	F350	2
ME					
2. Mounting	01 = Through Hole 02 = Surface Mount (SMT)				
3. Actuator Height	6.0 = 6.0mm 6.4 = 6.4mm 8.0 = 8.0mm 9.5 = 9.5mm 10.4 = 10.4mm 11.0 = 11.0mm 12.0 = 12.0mm 15.0 = 15.0mm				
4. Actuation Force	F350 = 350gF				
5. Actuator Colors	2 = Black (standard) **Contact Factory for additional colors				

Dimensions



PC Layout



Schematic

