

6

5

4

3

2

1

D

D

C

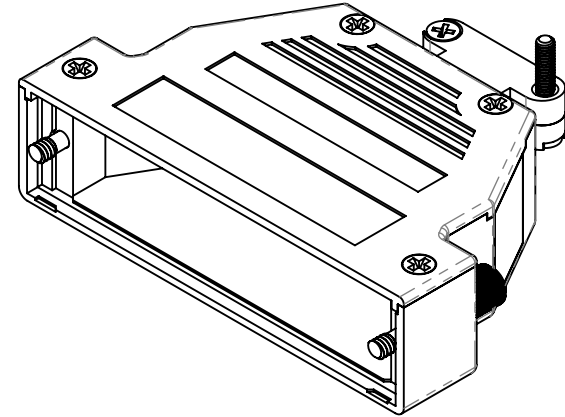
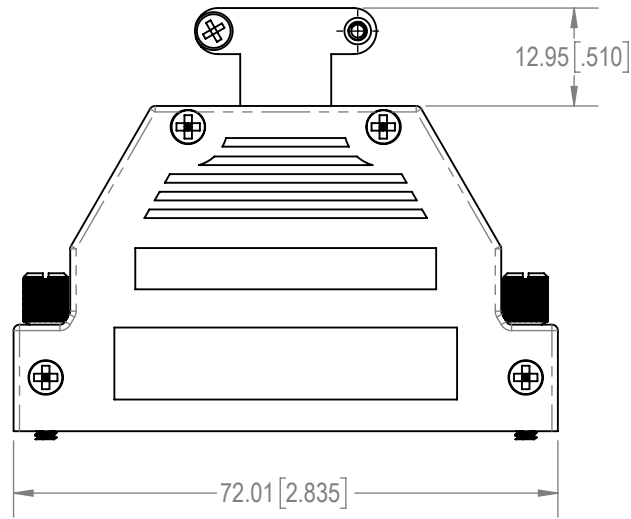
C

B

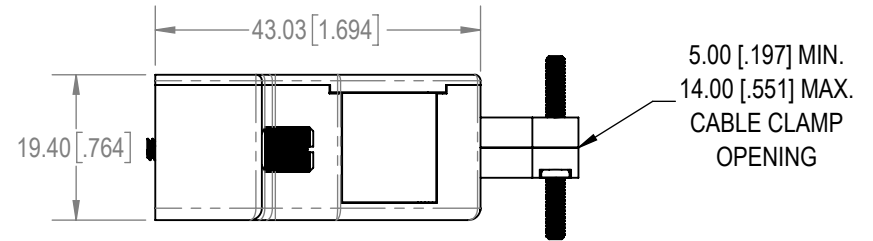
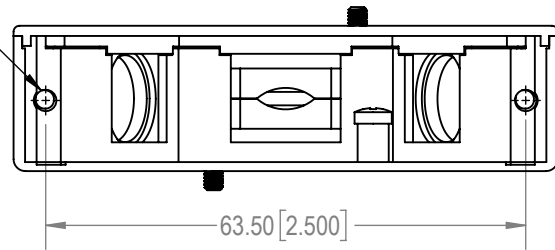
B

A

A



2X 4-40 UNC-2A  
THREADS



**NOTES:**

- MATERIALS AND FINISH:**  
HOOD, HOOD COVER AND CABLE CLAMPS: DIE CAST ZINC.  
JACKSCREWS: BRASS, NICKEL PLATE.  
SCREWS: STEEL, NICKEL PLATE.
- DETAILED PRODUCT, MECHANICAL AND ELECTRICAL INFORMATION IS AVAILABLE IN THE LATEST D-SUB ACCESSORIES PRODUCT PUBLICATION AT [CONNECTPOSITRONIC.COM](http://CONNECTPOSITRONIC.COM).
- CONNECTORS ARE COMPLIANT TO THE CURRENT RoHS DIRECTIVE.

BY APG	CHK AB	3RD ANGLE 	POSITRONIC BELIEVES THE DATA ON THE DRAWING TO BE RELIABLE. THE USER EMPLOYS SUCH INFORMATION AT HIS OWN DISCRETION AND RISK. POSITRONIC ASSUMES NO RESPONSIBILITY FOR RESULTS OBTAINED OR DAMAGES INCURRED FROM USE OF SUCH INFORMATION IN WHOLE OR IN PART.	 <b>Positronic</b> CONNECTPOSITRONIC.COM
APR PA	RELEASED DATE: 2021-11-12	SCALE NTS		
TOLERANCES ±0.03mm [.001 INCHES] FOR MALE CONTACT MATING DIAMETERS ±0.08mm [.003 INCHES] FOR CONTACT TERMINATION DIAMETERS ±0.13mm [.005 INCHES] FOR ALL OTHER DIAMETERS ±0.38mm [.015 INCHES] FOR ALL OTHER DIMENSIONS ±5° FOR ALL ANGLES DIMENSION ARE IN MILLIMETERS [INCHES]		PART NUMBER D104000GE0/AA	SERIES D	
CREATED ON: 2021-10-07		SHEET SHEET 1 OF 1	TITLE D104000GE0/AA	REV A

6

5

4

3

2

1