

ITEM	PART#	DESCRIPTION	QTY	UOM
A,B	436450500	MicroFit 3.0 Receptacle Sgl Row 5Ckt	2	PC
C	430300040	MicroFit 3.0 F Crp Term Chn 30Au 18	10	PC
D	--	PAPER PRINTED PAPER WHITE	1	PC

FROM	TO	DESCRIPTION	COLOR
A1	B5	1X18AWG DISC SR-PVC BK UL10002	BLACK
A2	B4	1X18AWG DISC SR-PVC BK UL10002	BLACK
A3	B3	1X18AWG DISC SR-PVC BK UL10002	BLACK
A4	B2	1X18AWG DISC SR-PVC BK UL10002	BLACK
A5	B1	1X18AWG DISC SR-PVC BK UL10002	BLACK

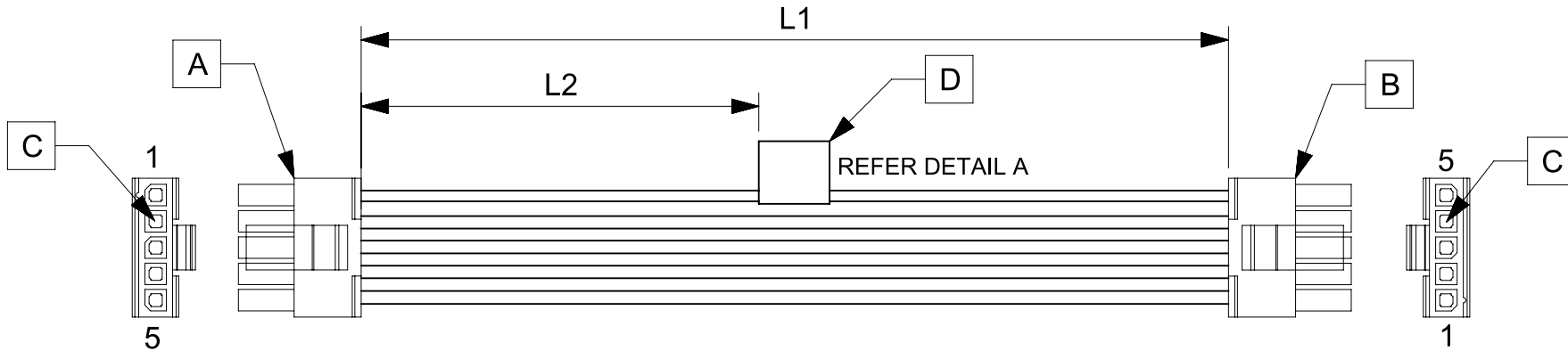


TABLE			
PART NUMBER	L1	L2	TITLE
2147502051	150±8	63 REF	MICROFIT 3.0 SR R-R 5CKT 150 MM Au
2147502052	300±10	138 REF	MICROFIT 3.0 SR R-R 5CKT 300 MM Au
2147502053	600±10	288 REF	MICROFIT 3.0 SR R-R 5CKT 600 MM Au

**NOTES**

1. Cable assembly must pass 100% continuity and polarity test.
2. Connector view shown is from mating side.
3. Label text must be 2mm max. in height with Arial font.
4. Label must be wrapped in Flag type on a single cable.

PRE-RELEASE  
 REFERENCE  
 USE ONLY

MOLEX P/N  
 MOLEX  
 BATCH WK/YR  
 DETAIL A

REVISION			
DATE	REV	DESCRIPTION	CHANGER
2020/02/29	A	INITIAL RELEASE	ARAJU

THIS DRAWING CONTAINS INFORMATION THAT IS PROPRIETARY TO MOLEX ELECTRONIC TECHNOLOGIES, LLC AND SHOULD NOT BE USED WITHOUT WRITTEN PERMISSION										
SYMBOLS ∇ = 0 ∇ = 0 ∇ = 0 ∇ = 0 ∇ = 0 ∇ = 0 ∇ = 0 ∇ = 0 ∇ = 0 ∇ = 0 ∇ = 0	DIMENSION UNITS <b>mm</b>	SCALE <b>NTS</b>	CURRENT REV DESC:							
	GENERAL TOLERANCES (UNLESS SPECIFIED)		EC NO: 637489							
ANGULAR TOL ± °		DRWN: ARAJU 2020/02/29								
4 PLACES ±		CHK'D: RDESAI01 2020/05/14								
3 PLACES ±		APPR: RDESAI01 2020/05/14								
2 PLACES ±		INITIAL REVISION:								
1 PLACE ±		DRWN: ARAJU 2020/02/29								
0 PLACES ±		APPR: RDESAI01 2020/05/14								
DRAFT WHERE APPLICABLE MUST REMAIN WITHIN DIMENSIONS		THIRD ANGLE PROJECTION	DRAWING	SERIES	MATERIAL NUMBER	CUSTOMER	DOCUMENT NUMBER	DOC TYPE	DOC PART	REVISION
			A4-SIZE	214750	SEE TABLE	GENERAL MARKET	2147502051	PSD	000	A
										SHEET NUMBER 1 OF 1

RELEASE STATUS	P1	RELEASE DATE	2020/05/14	03:37:02
----------------	----	--------------	------------	----------