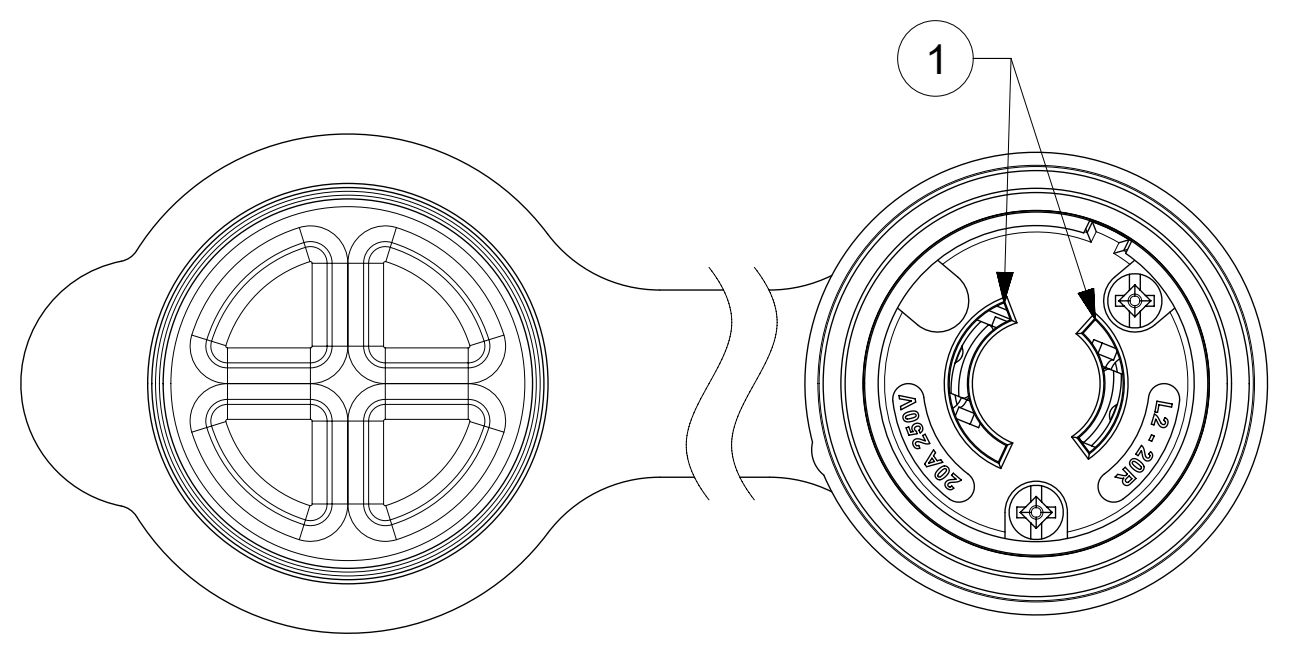
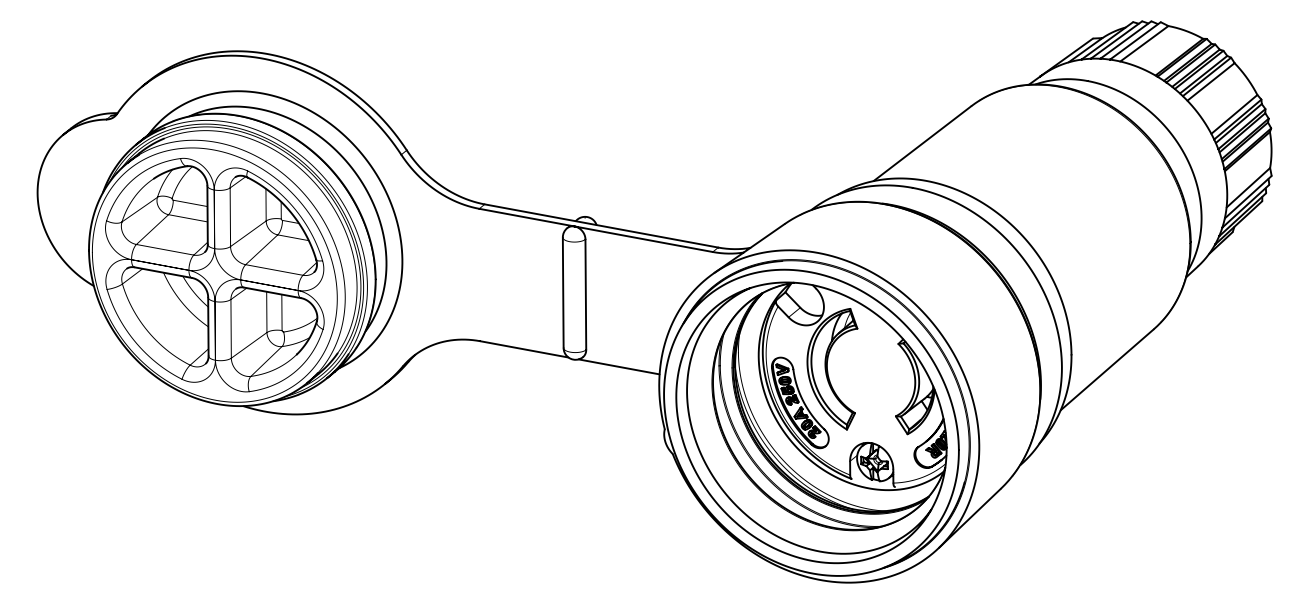
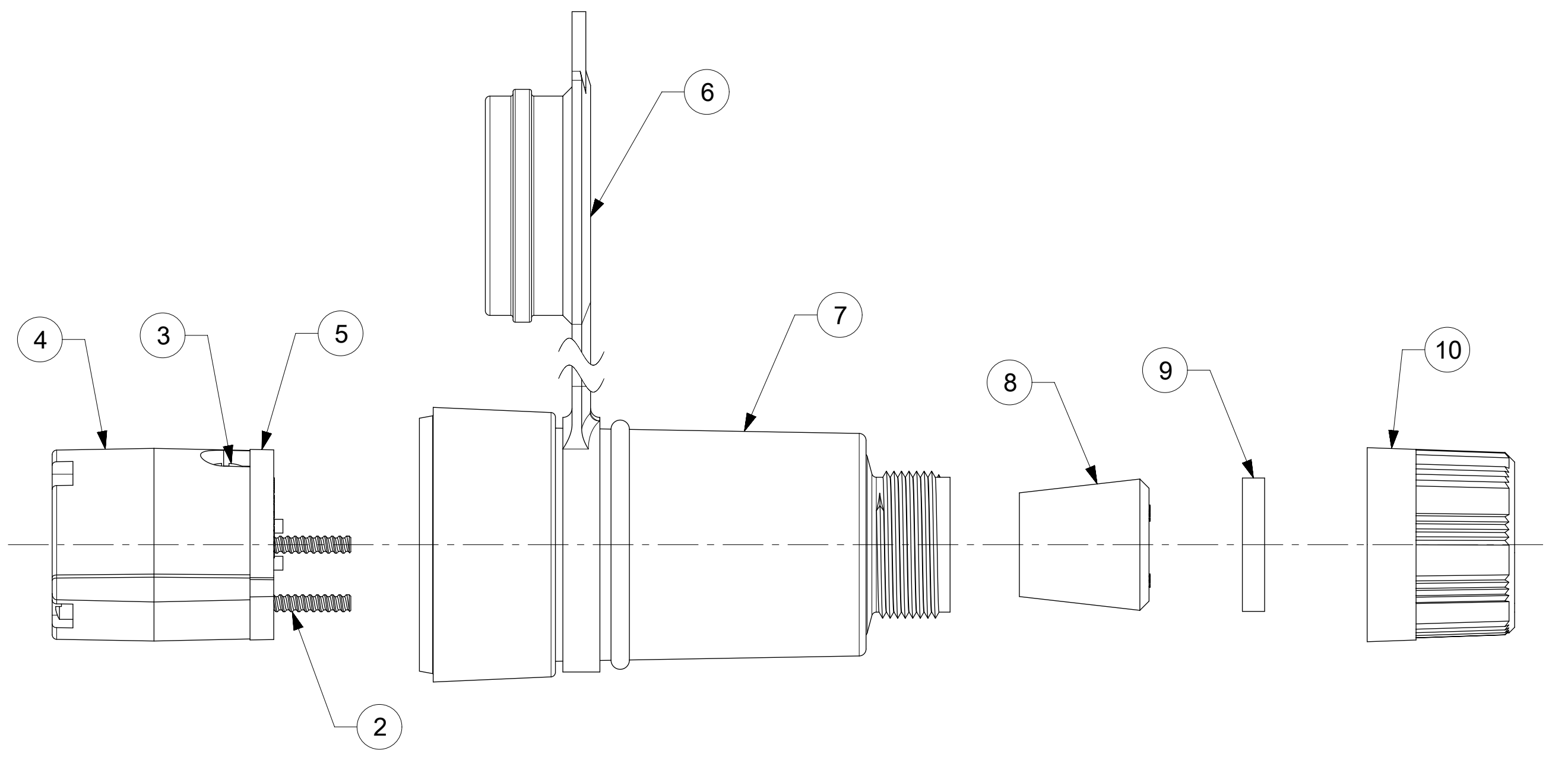
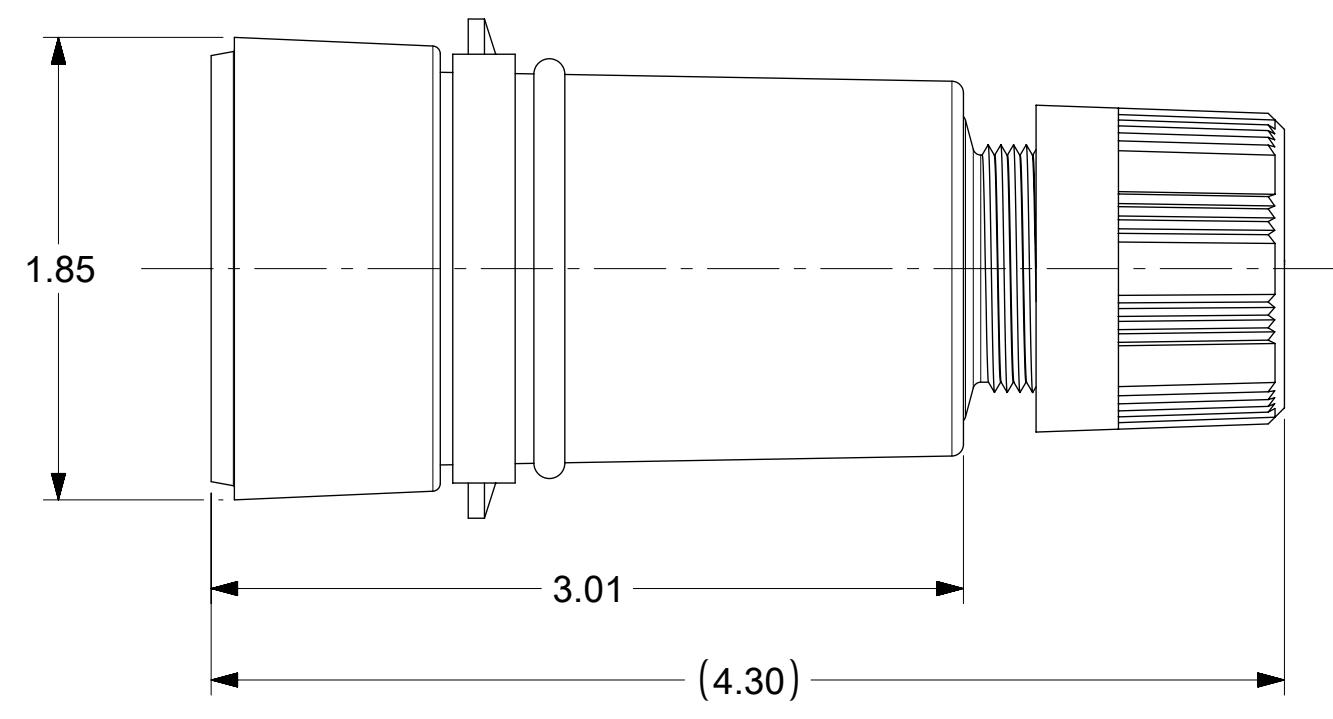


ORDER NO.	WOODHEAD NO.	COLOR
130146-0225	27W07-P	YELLOW



FACE VIEW



ITEM NO.	DESCRIPTIONS	MATERIAL	QTY.
1	BLADES	BRASS	2
2	RETAINING SCREWS	STAINLESS STEEL	2
3	TERMINAL SCREWS	BRASS, ZINC PLATED	2
4	INSERT	NYLON	1
5	TERMINAL COVER	POLYCARBONATE	1
6	FLIP COVER	SILICON	1
7	HOUSING	RUBBER WITH NYLON THREAD	1
8	GROMMETS	RUBBER	5
9	FRICTION RING	NYLON	1
10	COMPRESSION NUT	NYLON	1

NOTES:
 1. SEE INSTRUCTION SHEET NUMBER 1301414770 FOR PRODUCT SPECIFICATION.
 2. CABLE RANGE FROM 0.375" TO 0.625"

SYMBOLS		THIS DRAWING CONTAINS INFORMATION THAT IS PROPRIETARY TO MOLEX ELECTRONIC TECHNOLOGIES, LLC AND SHOULD NOT BE USED WITHOUT WRITTEN PERMISSION		CURRENT REV DESC: RELEASED		molex			
▽ = 0	INCH	SCALE	NTS	EC NO: 613684				WATERTITE CONNECTOR, L2-20R	
▽ = 0	GENERAL TOLERANCES (UNLESS SPECIFIED)		DRWN: ABABU01		2018/11/27		PRODUCT CUSTOMER DRAWING		
▽ = 0	ANGULAR TOL ± 0.5°		CHK'D: DNGUYEN62		2019/03/15		DOCUMENT NUMBER		
▽ = 0	4 PLACES ±		APPR: HKNEELAND		2019/03/21		DOC TYPE		
▽ = 0	3 PLACES ± 0.005		INITIAL REVISION:		DRWN: ABABU01		DOC PART		
▽ = 0	2 PLACES ± 0.01		DRWN: ABABU01		2018/11/27		REVISION		
▽ = 0	1 PLACE ± 0.02		APPR: HKNEELAND		2019/03/21		1301460225		
▽ = 0	0 PLACES ±		DRAFT WHERE APPLICABLE MUST REMAIN WITHIN DIMENSIONS		THIRD ANGLE PROJECTION		MATERIAL NUMBER		
▽ = 0			DRAWING		SERIES		CUSTOMER		
		C-SIZE		130146		SEE TABLE		GENERAL MARKET	
						SHEET NUMBER		1 OF 1	