

PART No. MATRIX

E 6 6 A 0 6 0 1 2 M X X X X

E=ETHERNET

HEADS:
6 = RJ45 PLUG
6 = RJ45 PLUG

HEADS STYLE:
060 = MALE STR / MALE STR

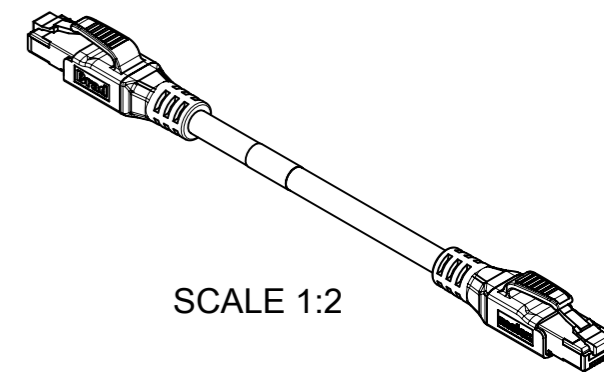
CABLE TYPE:
CABLE 12

UNITS:
M= METER
T= 10xMETER

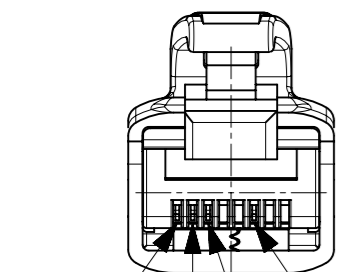
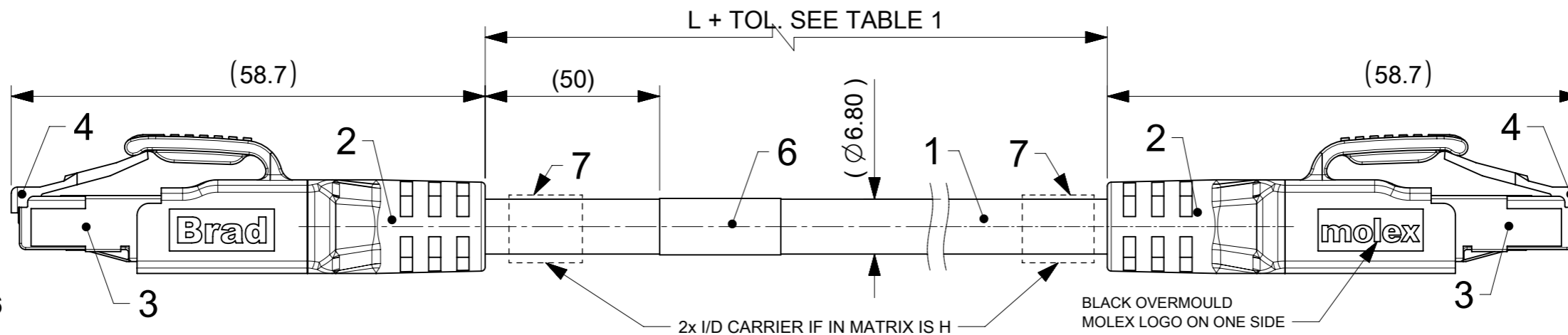
LENGTH EXAMPLES:
005=0.5 m
010=1 m
150=15 m
T100=100 m

H= 2 PCS. OF I/D Carrier

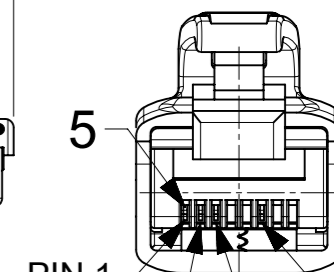
WIRING TYPE:
A=4 Pole (STRAIGHT WIRED)



SCALE 1:2



PIN 1
PIN 2
PIN 3
PIN 6
CONNECTOR PIN ASSIGNMENT
VIEW FROM THE FRONT SIDE
SCALE 2:1



PIN 1
PIN 2
PIN 3
PIN 6
CONNECTOR PIN ASSIGNMENT
VIEW FROM THE FRONT SIDE
SCALE 2:1

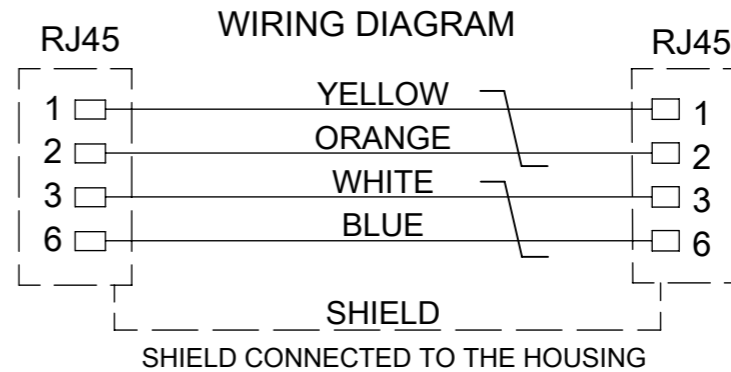


TABLE 2
CABLE LENGTH TOLERANCES

LENGTH	TOLERANCE
0m-1m	+40 mm
>1m-5m	+60 mm
>5m-10m	+80 mm
>10m-20m	+140 mm
>20m-30m	+160 mm
>30m	+1% length

TECHNICAL DATA :
RJ45 to RJ45 CAT5e Cordset AWG22
straight green inline 360° shielded.

Poles : 4
Max. Voltage : 30V A.C. or 42V D.C.
Max. Current : 1.5A
Contact resistance : ≤10 mΩ
Insulation Withstand : >100MΩ
Protection RJ45 / RJ45 : IP20 / IP20
Temperature range : -25°C to 85°C

Transmission characteristics
TRANSMISSION CHARACTERISTICS ACCORDING TO ISO/IEC 11801 CATEGORY 5e
PATCH CORD PROFINET TYPE C
Packaging :
The cordsets are packed in a polybag.

BOM

* NOTE : ID CARRIER APPLICABLE, IF ENGINEERING No. HAS "H" (SEE TABLE1)

ITEM	QTY	DESCRIPTION	MATERIAL	FINISH/COLOR
7	2	ID CARRIER	PVC	TRANSPARENT
6	1	LABEL 2.0X1.75	VINYL	YELLOW
5	8	CONTACT RJ45	PHOSPHOR BRONZE	SELECTIVE GOLD
4	1	PLUG RJ45 TRANSPARENT	PC	-
3	1	SHIELD	BRASS	TIN
2	-	MOULDING MATERIAL	TPU	BLACK
1	-	CABLE 2x2x22AWG SHIELD	TPU	GREEN

FUNCTIONAL SYMBOLS ∇/A = 0 ∇/E = 0 ∇/V = 0	THIS DRAWING CONTAINS INFORMATION THAT IS PROPRIETARY TO MOLEX ELECTRONIC TECHNOLOGIES, LLC AND SHOULD NOT BE USED WITHOUT WRITTEN PERMISSION	SCALE 3:2		CURRENT REV DESC: ADD CABLE12; REMOVE CABLE11 AND CABLE16 ADD NEW P/N'S	
	DIMENSION UNITS mm	GENERAL TOLERANCES (UNLESS SPECIFIED)			
	ANGULAR TOL ± °	EC NO: 703089			
	4 PLACES ±	DRWN: MBLOESER 2022/03/10			
DIVISIONAL SYMBOLS	3 PLACES ±	CHK'D: RSILLER 2022/05/16		2022/05/16	
2 PLACES ±	APPR: RSILLER 2022/05/16		PRODUCT CUSTOMER DRAWING		
1 PLACE ±	INITIAL REVISION:		DOCUMENT NUMBER		
0 PLACES ±	DRWN: MDHARMANTI 2020/01/30		1201088293		
DRAFT WHERE APPLICABLE MUST REMAIN WITHIN DIMENSIONS	THIRD ANGLE PROJECTION	DRAWING	SERIES	MATERIAL NUMBER	CUSTOMER
		A3-SIZE	120108	SEE TABLE 1	GENERAL MARKET
					PSD 000 A1
					SHEET NUMBER 1 OF 2

NUMERICAL CODE (Available parts see PART LIST table. Other parts available upon request)

OPTIONS

E 6 6 A 0 6 0 X X M X X X X

- E=Ethernet
- Heads: 66=Double ended RJ45
- Wiring type
- Heads style: 060=RJ45 Plug STR / RJ45 Plug STR
- Cable type: See cable table
- Units: M=Meter C=Centimeter
- Length Examples: 005=0.5 units 010=1 units 150=15 units
- H= 2 pcs. of I/D Carrier


CABLE INFORMATION (for more information see Cable Data Sheet).

CABLE TYPE	CABLE O.D.	APPLICATION	CROSS SECTION	CABLE JACKET	UL	TEMP. RANGE STATIC BENDING RADIUS STATIC	TEMP. RANGE DYNAMIC BENDING RADIUS DYNAMIC	CYCLES	ADDITIONAL INFORMATION
12	6.7mm	PROFINET TYPE C	22AWG	TPU BASED GREEN	STYLE 21215	-40°C to +80°C / min.5xO.D.	-25°C to +80°C / min.15xO.D.	about 2M, min.15xO.D., -5°C to +60°C	WSOR

TABLE 1

MOLEX PN	ENGINEERING NO	L [m]	MOLEX PN	ENGINEERING NO	L [m]
1201088554	E66A06012M003	0.3m	1201088393	E66A06012M002H	0.2m
1201088555	E66A06012M006	0.6m	1201088394	E66A06012M005H	0.5m
1201088353	E66A06012M010	1m	1201088293	E66A06012M010H	1m
1201088354	E66A06012M020	2m	1201088294	E66A06012M020H	2m
1201088355	E66A06012M030	3m	1201088300	E66A06012M030H	3m
1201088356	E66A06012M040	4m	1201088295	E66A06012M050H	5m
1201088357	E66A06012M050	5m	1201088817	E66A06012M060H	6m
1201088358	E66A06012M060	6m	1201088815	E66A06012M090H	9m
1201088359	E66A06012M080	8m	1201088296	E66A06012M100H	10m
1201088360	E66A06012M090	9m	1201088822	E66A06012M120H	12m
1201088361	E66A06012M100	10m	1201088297	E66A06012M150H	15m
1201088362	E66A06012M120	12m	1201088831	E66A06012M180H	18m
1201088363	E66A06012M150	15m	1201088298	E66A06012M200H	20m
1201088364	E66A06012M200	20m	1201088827	E66A06012M260H	26m
1201088365	E66A06012M250	25m	1201088301	E66A06012M300H	30m
1201088366	E66A06012M300	30m	1201088829	E66A06012M350H	35m
1201088367	E66A06012M350	35m	1201088302	E66A06012M500H	50m
1201088368	E66A06012M400	40m	1201088386	E66A06012M700H	70m
1201088369	E66A06012M450	45m	1201088387	E66A06012M900H	90m
1201088370	E66A06012M500	50m	1201088395	E66A06012M250H	25m
1201088371	E66A06012M550	55m	1201088396	E66A06012M400H	40m
1201088372	E66A06012M600	60m	1201088397	E66A06012M600H	60m
1201088373	E66A06012M650	65m	1201088818	E66A06012M800H	80m
1201088374	E66A06012M700	70m	1201088398	E66A06012M1K0H	100m
1201088375	E66A06012M750	75m			
1201088376	E66A06012M800	80m			

A1
A1
A1
A1
A1
A1
A1
A1

FUNCTIONAL SYMBOLS	THIS DRAWING CONTAINS INFORMATION THAT IS PROPRIETARY TO MOLEX ELECTRONIC TECHNOLOGIES, LLC AND SHOULD NOT BE USED WITHOUT WRITTEN PERMISSION		
	DIMENSION UNITS: mm SCALE: 1:1	CURRENT REV DESC: ADD CABLE12; REMOVE CABLE11 AND CABLE16 ADD NEW PN'S	
DIVISIONAL SYMBOLS	GENERAL TOLERANCES (UNLESS SPECIFIED)		EC NO: 703089 DRWN: MBLOESER 2022/03/10 CHK'D: RSILLER 2022/05/16 APPR: RSILLER 2022/05/16
	ANGULAR TOL ± ° 4 PLACES ± 3 PLACES ± 2 PLACES ± 1 PLACE ± 0 PLACES ±		
DRAFT WHERE APPLICABLE MUST REMAIN WITHIN DIMENSIONS		THIRD ANGLE PROJECTION	DOCUMENT NUMBER: 1201088293 DOC TYPE: PSD DOC PART: 000 REVISION: A1
DRAWING: A3-SIZE SERIES: 120108		MATERIAL NUMBER:	CUSTOMER: GENERAL MARKET SHEET NUMBER: 2 OF 2