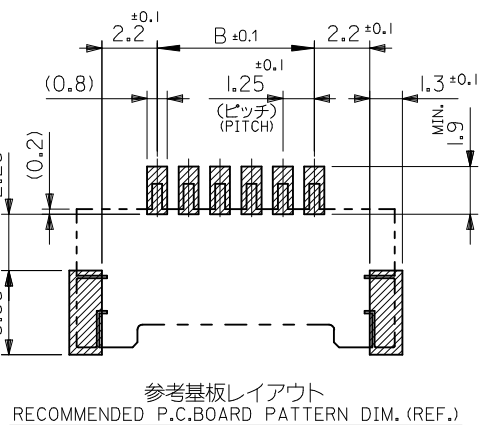
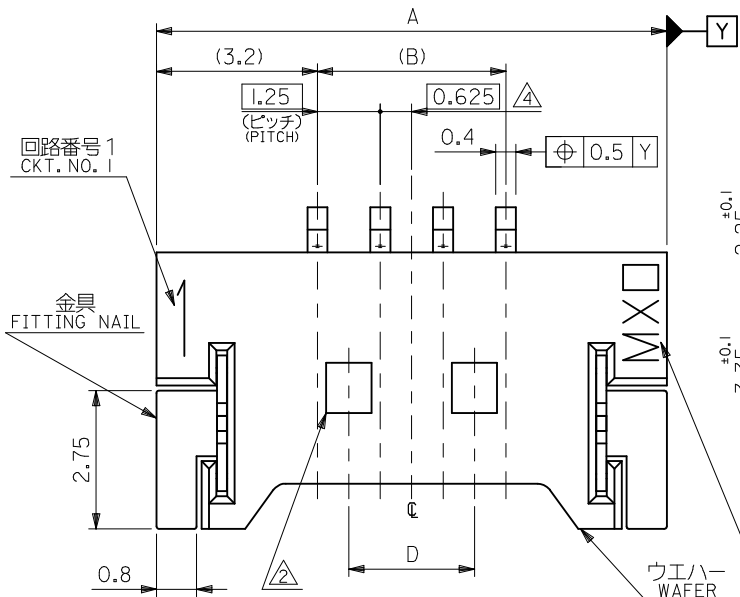
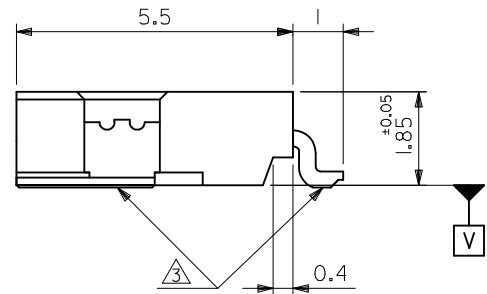
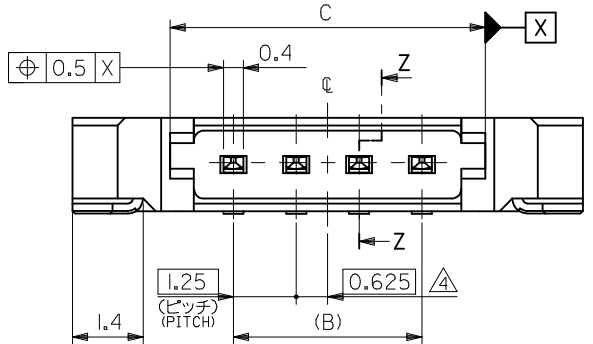


注記 NOTES

1. 嵌合相手 : 51146 シリーズ
MATES WITH : 51146 SERIES
2. ロック窓は2、3極品は1箇所、4極品以上は2箇所とする。
LOCKING WINDOW : ONE PLACE FOR 2 AND 3 CIRCUIT PRODUCTS AND TWO PLACES FOR MORE THAN 3 CIRCUIT PRODUCTS.
3. 基準面 [V] からのソルダータールと金具の半田付け面のズレ量は、上方向きに 0.05MAX. 下方向きに 0.15MAX. とし、20 極以下の相互のバラツキ量は 0.IMAX. とする。
MISALIGNMENT OF SOLDER TAIL AND FITTING NAIL FROM [V]
: UPPER DIRECTION 0.05MAX.
: LOWER DIRECTION 0.15MAX.
: OFFSET BETWEEN UPPER AND LOWER 0.IMAX. (UNDER 20 CKTS.)
4. 偶数極の製品に適用。
APPLY EVEN CIRCUIT PRODUCTS.
5. 材質 MATERIAL
ウエハー WAFER : PPS, UL94V-0
ピン: リン青銅 PIN: PHOSPHOR BRONZE
コンタクト部: 金メッキ 0.2 マイクロメートル以上
CONTACT AREA: GOLD 0.2 MICROMETER MINIMUM
テール部: 錫メッキ 3.0 マイクロメートル以上
TAIL AREA: TIN 3.0 MICROMETER MINIMUM
下地メッキ: ニッケルメッキ 1.0 マイクロメートル以上
UNDER PLATING: NICKEL 1.0 MICROMETER MINIMUM
金具: リン青銅 FITTING NAIL: PHOSPHOR BRONZE
錫メッキ 3.0 マイクロメートル以上
TIN 3.0 MICROMETER MINIMUM
下地メッキ: ニッケルメッキ 1.0 マイクロメートル以上
UNDER PLATING: NICKEL 1.0 MICROMETER MINIMUM
6. 本製品は 53780-**-**10/-**-**1.8 の鉛フリー品である。
THIS PRODUCT IS LEAD FREE OF 53780-**-**10/-**-**1.8.
7. ELV 及び RoHS 適合品
ELV & RoHS COMPLIANT.



トレードマーク TRADE MARK

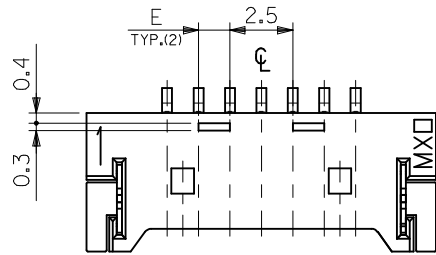


| | | | | | | |
|------|-------|-------|-------|-------|------------|----|
| 8.75 | 22.5 | 26.27 | 23.75 | 30.15 | 53780-2070 | 20 |
| 7.5 | 20 | 23.77 | 21.25 | 27.65 | -1870 | 18 |
| 6.25 | 16.25 | 20.02 | 17.5 | 23.9 | -1570 | 15 |
| 5 | 15 | 18.77 | 16.25 | 22.65 | -1470 | 14 |
| 3.75 | 12.5 | 16.27 | 13.75 | 20.15 | -1270 | 12 |
| 2.5 | 10 | 13.77 | 11.25 | 17.65 | -1070 | 10 |
| 2.5 | 8.75 | 12.52 | 10 | 16.4 | -0970 | 9 |
| 1.25 | 7.5 | 11.27 | 8.75 | 15.15 | -0870 | 8 |
| 1.25 | 6.25 | 10.02 | 7.5 | 13.9 | -0770 | 7 |
| — | 5 | 8.77 | 6.25 | 12.65 | -0670 | 6 |
| — | 3.75 | 7.52 | 5 | 11.4 | -0570 | 5 |
| — | 2.5 | 6.27 | 3.75 | 10.15 | -0470 | 4 |
| — | — | 5.02 | 2.5 | 8.9 | -0370 | 3 |
| — | — | 3.77 | 1.25 | 7.65 | 53780-0270 | 2 |

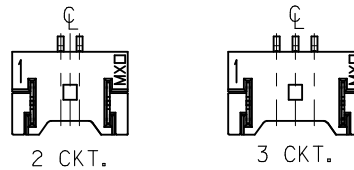
CONNECTOR SERIES NO. 53780-**-**19

EMBOSSED PACKAGE CKT. 極数
オーダー番号 ORDER No.

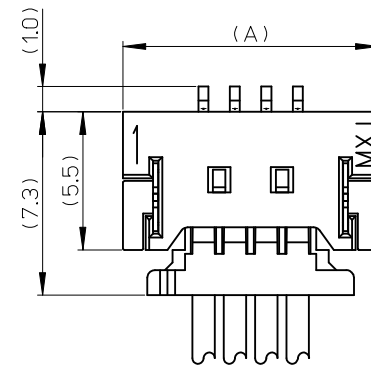
| | | | | | | | | |
|--|---|--|-----------|---|-----------|----------------------------------|------------------|------------------------|
| REVISED EC NO: J2018-0015 DRW: NKN02 CHKD: APPR: GGA | DESCRIPTION 2017/07/16 2017/07/19 | GENERAL TOLERANCES (UNLESS SPECIFIED) | | DIMENSION STYLE | | SCALE | DESIGN UNITS | THIRD ANGLE PROJECTION |
| | | | | MM ONLY | | --- | METRIC | |
| | | 0.25 UNDER | ±0.03 | DRAWN BY | DATE | TITLE | | |
| | | 0.25 OVER | ±0.05 | T. UENO | '04/04/15 | 1.25 W/B CONN WAFER ASSY FOR SMT | | |
| | | 0.5 OVER | ±0.1 | CHECKED BY | DATE | molex | | |
| 1.0 OVER | ±0.2 | M. SASAO | '04/04/15 | SEE CHART | | SD-53780-003 | SHEET NO. 1 OF 2 | |
| 10 OVER | ±0.25 | APPROVED BY | DATE | THIS DRAWING CONTAINS INFORMATION THAT IS PROPRIETARY TO MOLEX ELECTRONIC TECHNOLOGIES, LLC AND SHOULD NOT BE USED WITHOUT WRITTEN PERMISSION | | | | |
| 30 OVER | ±0.3 | M. SASAO | '04/04/15 | MATERIAL NO. | | DOCUMENT NO. | | |
| ANGULAR ±3 ° | | DRAFT WHERE APPLICABLE MUST REMAIN WITHIN DIMENSIONS | | SIZE A3 | | | | |



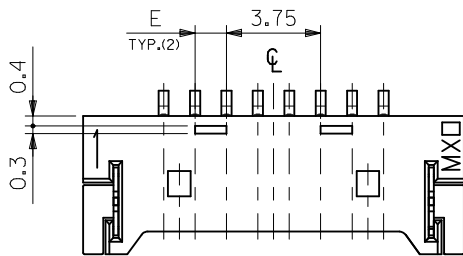
7~19極の奇数極に適用
 APPLY FOR ODD CIRCUITS OF 7~19



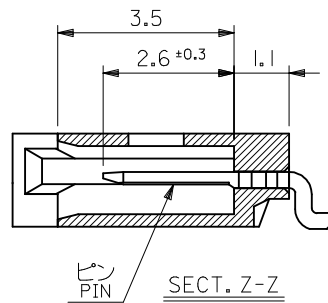
ロック形状図
 LOCK CONFIGURATION



嵌合図 (SCALE 5:1)
 MATED CONNECTORS (SCALE 5:1)



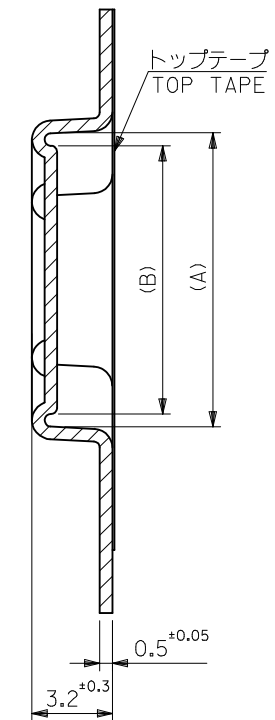
8~30 極の偶数極に適用
 APPLY FOR EVEN CIRCUITS OF 8~30



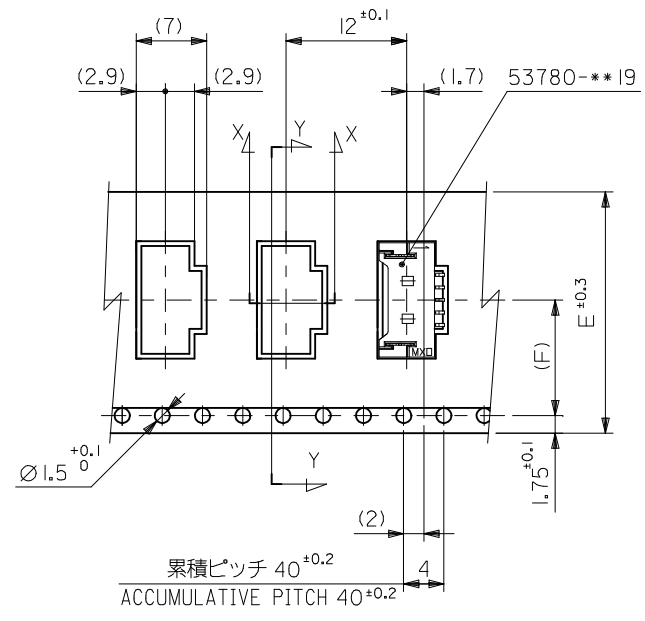
SECT. Z-Z

CONNECTOR SERIES NO. 53780-**19

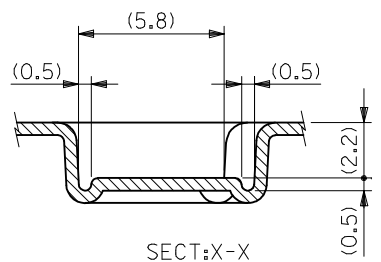
| | | | | | | | | | |
|--|--------------------------|---------------------------------------|-----------|----------------------------|-----------|---|------------------------|------------------------|--|
| REVISED EC NO: J2018-0015 DRW: MKN02 CHKD: APPR: GGA | 2017/07/06 2017/07/19 | GENERAL TOLERANCES (UNLESS SPECIFIED) | | DIMENSION STYLE MM ONLY | | SCALE --- | DESIGN UNITS METRIC | THIRD ANGLE PROJECTION | |
| | | 0.25 UNDER | ±0.03 | DRAWN BY | DATE | TITLE | | | |
| | | 0.25 OVER | ±0.05 | T. UENO | '04/04/15 | 1.25 W/B CONN WAFER ASSY FOR SMT | | | |
| | | 0.5 OVER | ±0.1 | CHECKED BY | DATE | <div style="text-align: center; font-size: 2em; font-weight: bold;">molex</div> | | | |
| | | 1.0 OVER | ±0.2 | M. SASAO | '04/04/15 | | | | |
| 10 OVER | ±0.25 | APPROVED BY | DATE | MATERIAL NO. | | DOCUMENT NO. | | SHEET NO. | |
| 30 OVER | ±0.3 | M. SASAO | '04/04/15 | SEE CHART | | SD-53780-003 | | 2 OF 2 | |
| ANGULAR ±3 ° | | | | SIZE A3 | | THIS DRAWING CONTAINS INFORMATION THAT IS PROPRIETARY TO MOLEX ELECTRONIC TECHNOLOGIES, LLC AND SHOULD NOT BE USED WITHOUT WRITTEN PERMISSION | | | |
| DRAFT WHERE APPLICABLE MUST REMAIN WITHIN DIMENSIONS | | | | | | | | | |



SECT:Y-Y
(SCALE 5:1)



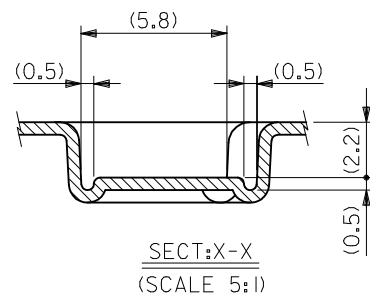
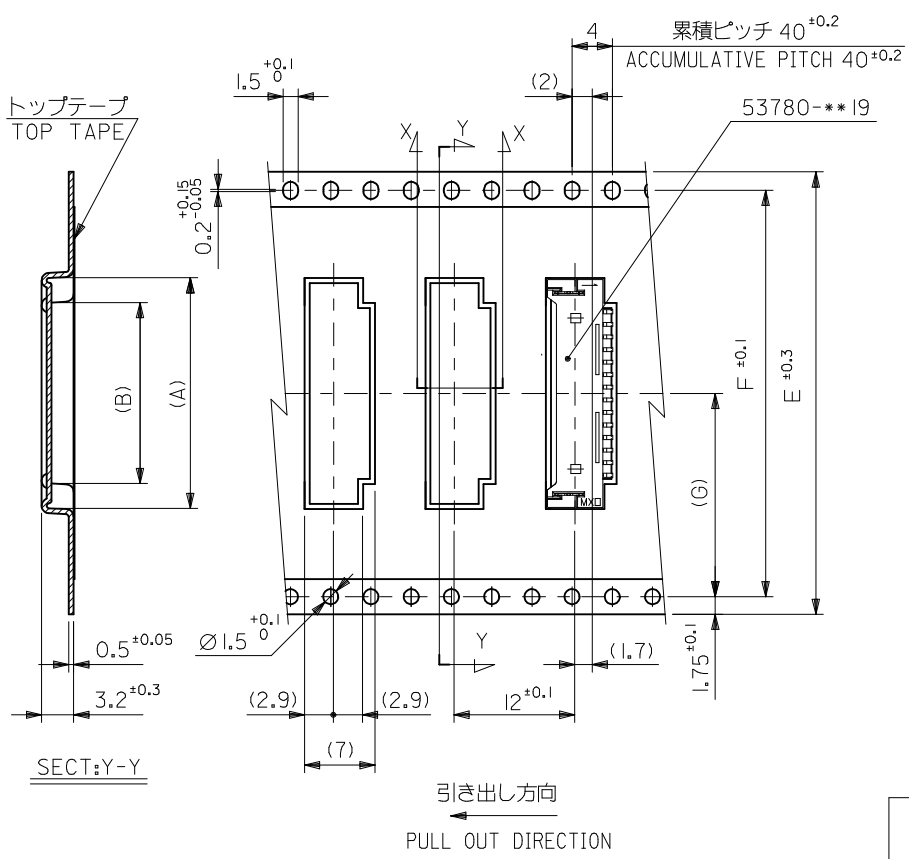
引き出し方向
PULL OUT DIRECTION



SECT:X-X
(SCALE 5:1)

| | | | | | | | |
|------|----|------|------|-------|-------|--------------|-------------|
| 11.5 | 24 | 29.4 | 25.4 | 11.75 | 16.7 | 53780-0970 | 9 |
| | | | | 10.5 | 15.45 | 53780-0870 | 8 |
| | | | | 9.25 | 14.2 | 53780-0770 | 7 |
| | | | | 8 | 12.95 | 53780-0670 | 6 |
| | | | | 6.75 | 11.7 | 53780-0570 | 5 |
| 7.5 | 16 | 21.4 | 17.4 | 5.5 | 10.45 | 53780-0470 | 4 |
| | | | | 4.25 | 9.2 | 53780-0370 | 3 |
| | | | | 3 | 7.95 | 53780-0270 | 2 |
| (F) | E | D | C | (B) | (A) | MATERIAL NO. | 種数 CKT. |
| | | | | | | MODEL NO. | 53780-**-70 |

| | | | | | | | | | |
|---|---|--|-------|----------------------------|---|---|------------------------|------------------------|--|
| REVISED EC NO: J2018-0015 DRAWN: KNO2 CHKD: APPR: GGA | DESCRIPTION 2017/07/06 2017/07/19 | GENERAL TOLERANCES (UNLESS SPECIFIED) | | DIMENSION STYLE MM ONLY | | SCALE --- | DESIGN UNITS METRIC | THIRD ANGLE PROJECTION | |
| | | 0.25 UNDER | ±0.03 | DRAWN BY T. UENO | DATE '04/04/15 | TITLE 1.25 W/B WAFER ASSY EMBOSSED TAPE PACKAGE | | | |
| | | 0.25 OVER | ±0.05 | CHECKED BY M. SASAO | DATE '04/04/15 | | | | |
| | | 0.5 OVER | ±0.1 | APPROVED BY M. SASAO | DATE '04/04/15 | | | | |
| 1.0 OVER | ±0.2 | MATERIAL NO. | | DOCUMENT NO. | SHEET NO. 2 OF 3 | | | | |
| 10 OVER | ±0.25 | SEE CHART | | SD-53780-004 | | | | | |
| 30 OVER | ±0.3 | DRAFT WHERE APPLICABLE MUST REMAIN WITHIN DIMENSIONS | | SIZE A3 | THIS DRAWING CONTAINS INFORMATION THAT IS PROPRIETARY TO MOLEX ELECTRONIC TECHNOLOGIES, LLC AND SHOULD NOT BE USED WITHOUT WRITTEN PERMISSION | | | | |



| | | | | | | | | |
|------|------|-------------------------------------|------|------|-------|-------|--------------|------------|
| 20.2 | 40.4 | 44 | 49.4 | 45.4 | 25.5 | 30.45 | 53780-2070 | 20 |
| | | | | | 25.5 | 27.95 | 53780-1870 | 18 |
| | | | | | 19.25 | 24.2 | 53780-1570 | 15 |
| | | | | | 18 | 22.95 | 53780-1470 | 14 |
| | | | | | 15.5 | 20.45 | 53780-1270 | 12 |
| 14.2 | 28.4 | 32 | 37.4 | 33.4 | 13 | 17.95 | 53780-1070 | 10 |
| (G) | F | E キャリアテープ幅 CARRIER TAPE WIDTH | D | C | (B) | (A) | MATERIAL NO. | 種数 CKT. |

| | | | | | | | | | |
|--|--------------------------|---------------------------------------|--|------------------------------|---|---|--------------------------|--|--|
| REVISED EC NO: J2018-0015 DRW: NKN02 CHKD: APPR: GGA | 2017/07/06 2017/07/19 | GENERAL TOLERANCES (UNLESS SPECIFIED) | | DIMENSION STYLE MM ONLY | | SCALE --- | MODEL NO. 53780-***70 | | |
| | | 0.25 UNDER | ±0.03 | DRAWN BY T. UENO | DATE '04/04/15 | TITLE 1.25 W/B WAFER ASSY EMBOSSED TAPE PACKAGE | | | |
| | | 0.25 OVER | 0.5 UNDER | ±0.05 | CHECKED BY M. SASAO | DATE '04/04/15 | | | |
| | | 0.5 OVER | 1.0 UNDER | ±0.1 | APPROVED BY M. SASAO | DATE '04/04/15 | | | |
| 1.0 OVER | 10 UNDER | ±0.2 | MATERIAL NO. | DOCUMENT NO. SD-53780-004 | SHEET NO. 3 OF 3 | | | | |
| 10 OVER | 30 UNDER | ±0.25 | SEE CHART | | THIS DRAWING CONTAINS INFORMATION THAT IS PROPRIETARY TO MOLEX ELECTRONIC TECHNOLOGIES, LLC AND SHOULD NOT BE USED WITHOUT WRITTEN PERMISSION | | | | |
| 30 OVER | | ±0.3 | DRAFT WHERE APPLICABLE MUST REMAIN WITHIN DIMENSIONS | | | | | | |