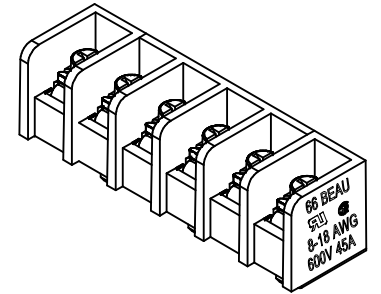
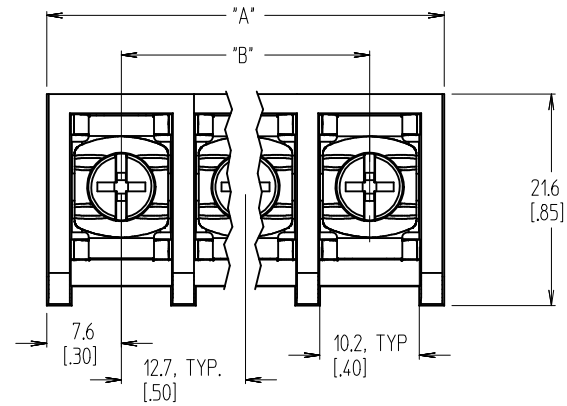
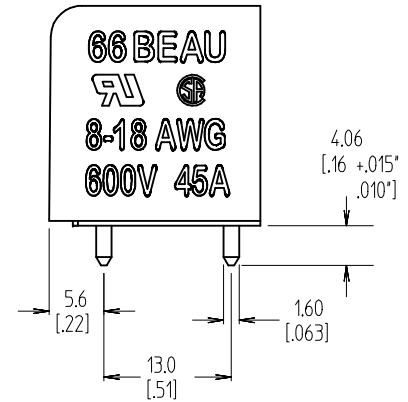
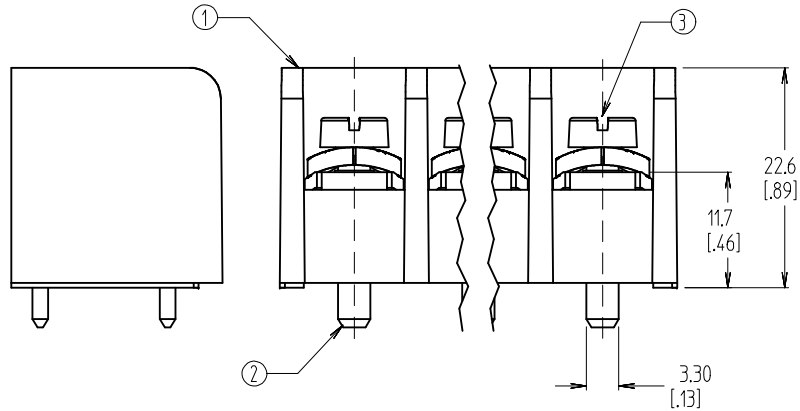


| MATERIAL NUMBER (STD PART) | NUMBER OF CIRCUITS "XX" | A | B |
|----------------------------|-------------------------|--------------|----------------|
| 38660-8802 | 2 | 27.9 [1.10] | 12.70 [1.500] |
| 38660-8803 | 3 | 40.6 [1.60] | 25.40 [1.000] |
| 38660-8804 | 4 | 53.3 [2.10] | 38.10 [1.500] |
| 38660-8805 | 5 | 66.0 [2.60] | 50.80 [2.000] |
| 38660-8806 | 6 | 78.7 [3.10] | 63.50 [2.500] |
| 38660-8807 | 7 | 91.4 [3.60] | 76.20 [3.000] |
| 38660-8808 | 8 | 104.1 [4.10] | 88.90 [3.500] |
| 38660-8809 | 9 | 116.8 [4.60] | 101.60 [4.000] |
| 38660-8810 | 10 | 129.5 [5.10] | 114.30 [4.500] |
| 38660-8811 | 11 | 142.2 [5.60] | 127.00 [5.000] |
| 38660-8812 | 12 | 154.9 [6.10] | 139.70 [5.500] |
| 38660-8813 | 13 | 167.6 [6.60] | 152.40 [6.000] |
| 38660-8814 | 14 | 180.3 [7.10] | 165.10 [6.500] |
| 38660-8815 | 15 | 193.0 [7.60] | 177.80 [7.000] |



6 CIRCUIT SHOWN ACTUAL SIZE



NOTES:

1. MATERIAL: SEE TABLE
2. FINISHES: SEE TABLE
2. "XX" - REFERS TO THE NUMBER OF CIRCUIT POSITIONS.
3. INCH DIMENSIONS ARE SHOWN IN BRACKETS [XXX].
4. ASSEMBLY IS ROHS COMPLIANT.

| | | | | |
|------|-----|-------------|-----------------|--------------------|
| 3 | XX | SCREW | STEEL | ZN/YELLOW CHROMATE |
| 2 | XX | TERMINAL | RED BRASS | TIN OVER COPPER |
| 1 | 1 | INSULATOR | POLYESTER (PBT) | BLACK |
| ITEM | QTY | DESCRIPTION | MATERIAL | FINISH |

| | | | | | | |
|--|--|--|--|--|--|--|
| RPM T20174335 EC NO: IPG2018-0320 DRAWN: BENJAMIN LW 2017/12/13 CHKD: APPR: BRUPERT 2017/12/14 REV A1 | QUALITY SYMBOLS ▽=0 ▽=0 | GENERAL TOLERANCES (UNLESS SPECIFIED) mm INCH 4 PLACES ± --- ± --- 3 PLACES ± --- ± .005 2 PLACES ± 0.13 ± .01 1 PLACE ± 0.3 ± --- ANGULAR ± 2 ° | DIMENSION STYLE MM/IN DRAWN BY DATE C. YORK 2008/09/08 CHECKED BY DATE R. DEROSS 2008/09/08 APPROVED BY DATE R. DEROSS 2008/09/08 MATERIAL NO. | SCALE 1:1 DESIGN UNITS INCH THIRD ANGLE PROJECTION | TITLE SR BTS, 12.70/1.50 PITCH PC, NO MTG ASSY, ROHS COMPLIANT MOLEX INCORPORATED DOCUMENT NO. SD-38660-003 SHEET NO. 1 OF 1 | |
| | DRAFT WHERE APPLICABLE MUST REMAIN WITHIN DIMENSIONS | | SEE CHART | | THIS DRAWING CONTAINS INFORMATION THAT IS PROPRIETARY TO MOLEX INCORPORATED AND SHOULD NOT BE USED WITHOUT WRITTEN PERMISSION | |
| | | | | | | |
| | | | | | | |