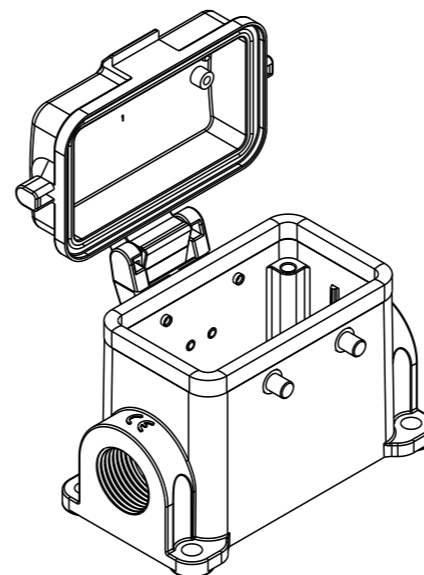
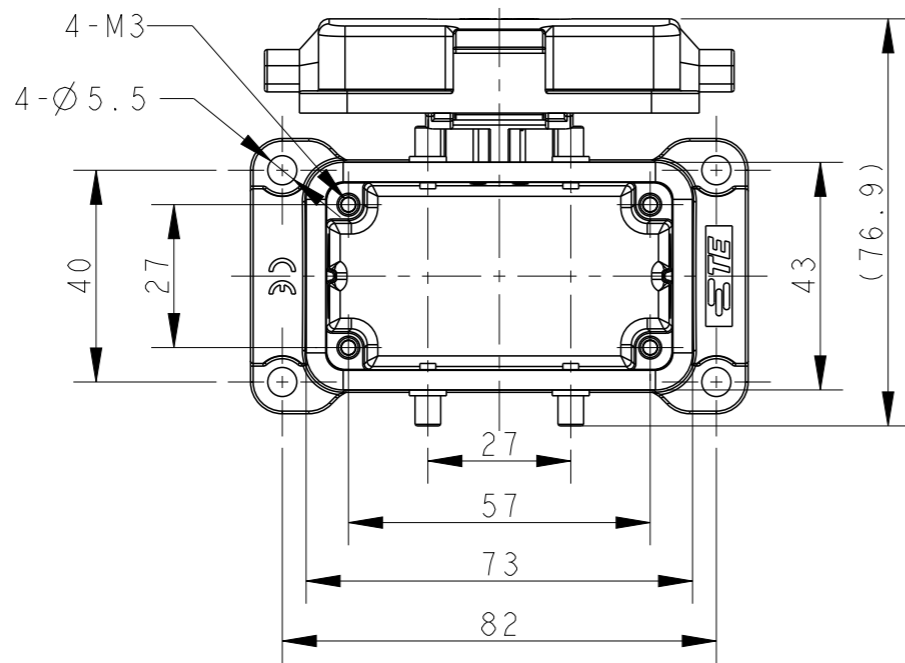


REVISIONS

P	LTR	DESCRIPTION	DATE	DWN	APVD
	A	INITIAL RELEASE	25JUN2015	DL	CW
	B	ECR-20-008181	09JUL2020	WQR	CW



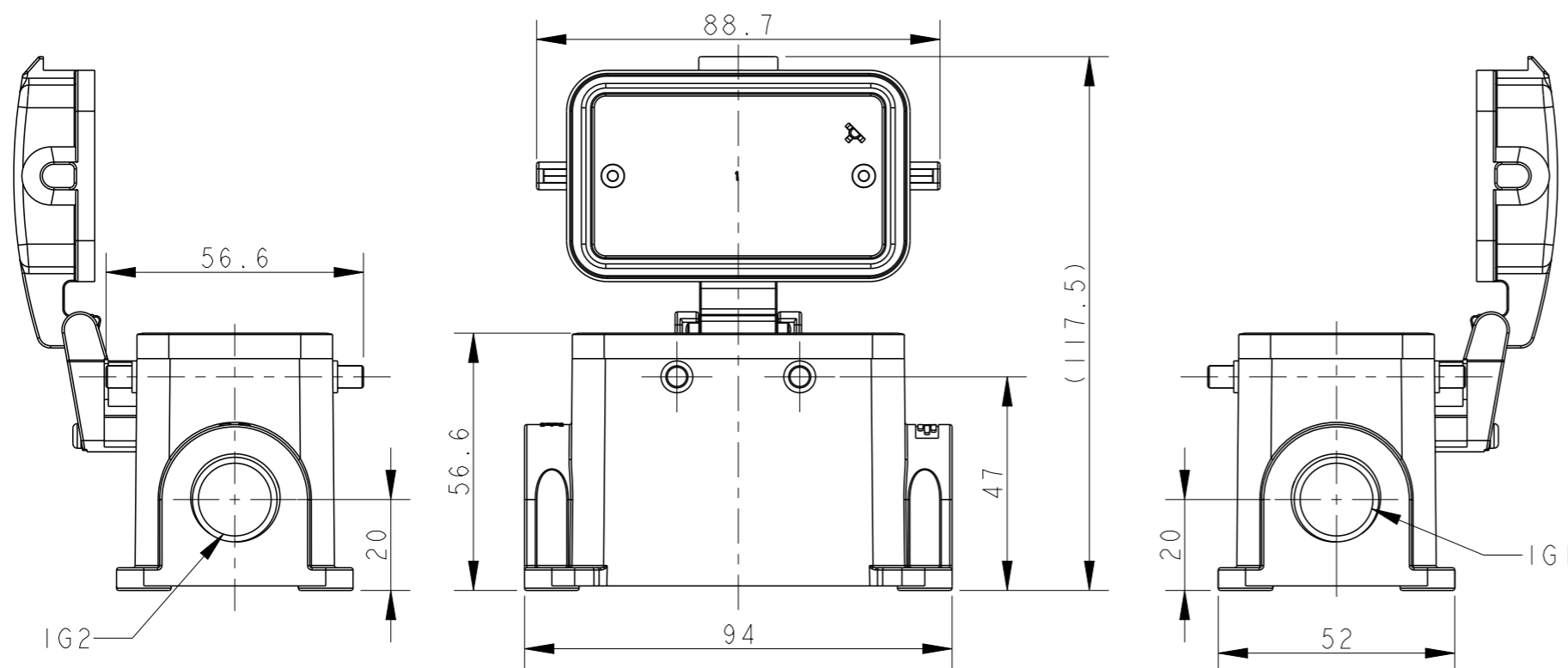
SCALE 1:2

NOTES:

- 1. TECHNICAL CHARACTERISTICS:
 BODY MATERIAL: DIE CAST ALUMINIUM ALLOY
 SURFACE TREATMENT: POWDER-COATED, GRAY
 DEGREE OF PROTECTION: IP65 (MATED)

注释:

- 1. 技术参数:
 主体材料: 铝合金
 表面处理: 粉末喷涂, 灰色
 防护等级: IP65(配合)



TYPE 1: BODY + PLASTIC PROTECTION COVER

TI460100116-000	TYPE I	H10B-SDR-BO-PG16	PG16	-
TI460100120-000		H10B-SDR-BO-M20	M20	-
TI460100121-000		H10B-SDR-BO-PG21	PG21	-
TI460100125-000		H10B-SDR-BO-M25	M25	-
TI460100216-000		H10B-SDR-BO-2PG16	PG16	PG16
TI460100220-000		H10B-SDR-BO-2M20	M20	M20
TI460100221-000		H10B-SDR-BO-2PG21	PG21	PG21
TI460100225-000		H10B-SDR-BO-2M25	M25	M25
ASSEMBLY PART NUMBER		TYPE	ASSEMBLY PART DESCRIPTION	IG1

THIS DRAWING IS A CONTROLLED DOCUMENT.

DWN 25JUN2015

DAVID LI

CHK 25JUN2015

CHRIS WANG

APVD 25JUN2015

XU XIANG

PRODUCT SPEC

108-137013

APPLICATION SPEC

114-137013

WEIGHT

-

CUSTOMER DRAWING



TE Connectivity

NAME H10B-SDR-BO-PG/M

SIZE CAGE CODE DRAWING NO RESTRICTED TO

A3 - C-TI46010XXXX000

SCALE 1:2 SHEET 1 OF 2 REV B

DIMENSIONS:

mm



TOLERANCES UNLESS OTHERWISE SPECIFIED:

- 0 PLC ±-
- 1 PLC ±-
- 2 PLC ±-
- 3 PLC ±-
- 4 PLC ±-
- ANGLES ±-
- FINISH -

MATERIAL TBD

-

4

3

2

1

THIS DRAWING IS UNPUBLISHED.

RELEASED FOR PUBLICATION

20

© COPYRIGHT 20 BY -

ALL RIGHTS RESERVED.

REVISIONS

P	LTR	DESCRIPTION	DATE	DWN	APVD
-	-	SEE SHEET 1	-	-	-

SCALE 1:2

IG2

IG1

TYPE 2: BODY + METAL PROTECTION COVER

OTHER SPEC REFER TO TYPE 1

TI460101116-000	TYPE 2	H10B-SDRM-BO-PG16	PG16	-
TI460101120-000		H10B-SDRM-BO-M20	M20	-
TI460101121-000		H10B-SDRM-BO-PG21	PG21	-
TI460101125-000		H10B-SDRM-BO-M25	M25	-
TI460101216-000		H10B-SDRM-BO-2PG16	PG16	PG16
TI460101220-000		H10B-SDRM-BO-2M20	M20	M20
TI460101221-000		H10B-SDRM-BO-2PG21	PG21	PG21
TI460101225-000		H10B-SDRM-BO-2M25	M25	M25
ASSEMBLY PART NUMBER	TYPE	ASSEMBLY PART DESCRIPTION	IG1	IG2

THIS DRAWING IS A CONTROLLED DOCUMENT.

DWN DAVID LI 25JUN2015

CHK CHRIS WANG 25JUN2015

APVD XU XIANG 25JUN2015

PRODUCT SPEC

108-137013

APPLICATION SPEC

114-137013

WEIGHT -

CUSTOMER DRAWING

TE Connectivity

NAME H10B-SDRM-BO-PG/M

SIZE CAGE CODE DRAWING NO RESTRICTED TO

A3 - ©-TI46010XXXX000

SCALE 7:10 SHEET 2 OF 2 REV B

DIMENSIONS:

mm

TOLERANCES UNLESS OTHERWISE SPECIFIED:

0 PLC	±-
1 PLC	±-
2 PLC	±-
3 PLC	±-
4 PLC	±-
ANGLES	±-
FINISH	-

MATERIAL TBD

-

1470-19 (3/13)