

THIS DRAWING IS UNPUBLISHED.

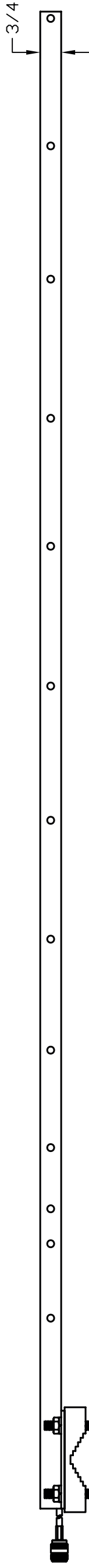
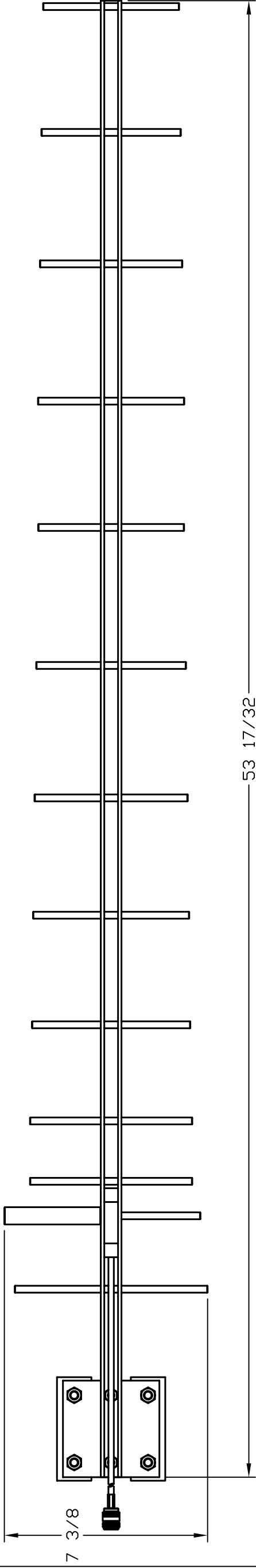
RELEASED FOR PUBLICATION

© Copyright 2022 TE Connectivity Ltd.

ALL RIGHTS RESERVED.

REVISION

LTR	DESCRIPTION	DATE	INITIAL
AA	ORIGINAL	9-5-03	SWU



RECOMMENDED MAST DIA.  
1-1/2" - 2-1/8"

Parameter	Performance
Model Number	PC9013N
Frequency	902-928 MHz
Gain	13dBd
Polarization	Vertical
VSWR	1.5:1 Nominal
E-Plane 3 dB Beamwidth	35°
H-Plane 3 dB Beamwidth	40°
Front to Back Ratio	20dB
RF Connector	N (female)
Power	200W
Weight	3.12 lbs

MATERIAL:

DRAWN	DATE
S JOHNSON	9-5-03
ENGINEER	DATE
R LITTLEFIELD	9-5-03

ENGINEERING MGR	DATE
A ALEVY	9-5-03

FINISH:

DO NOT SCALE DRAWING  
UNLESS OTHERWISE SPECIFIED  
TOLERANCES ARE:  
ANGLES ± 2°  
FRACTIONS ± 1/16"  
.XX ± 0.030"  
.XXX ± 0.015"



PC9013N

DRAWING NO.	REV
PC9013NMO	AA
SCALE 1:4	SIZE B
SHEET 1	OF 1