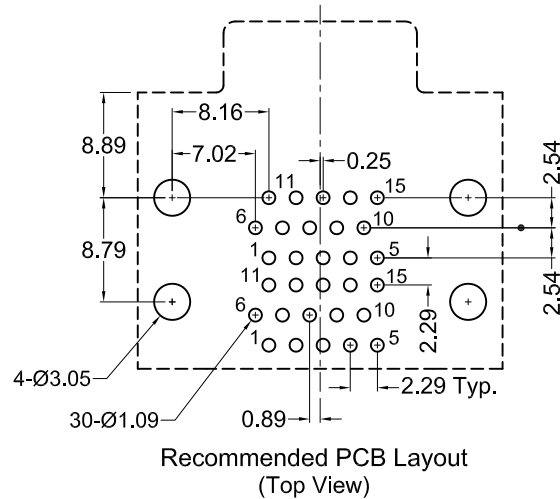
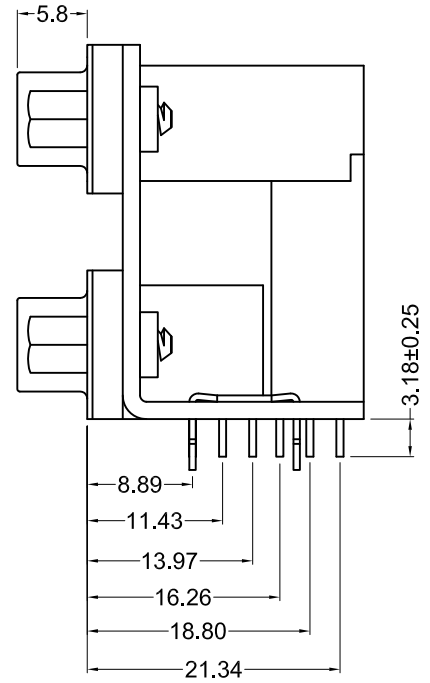


Ordering Information	
Part Number	Contact Area Plating Finish
K42X-E15S/S-A4NJ	Gold Flash (standard)
K42X-E15S/S-A4NJ15	15u" Gold (15 option)
K42X-E15S/S-A4NJ30	30u" Gold (30 option)



**Material and Finish**

- Shell: Steel, nickel plated
- Insulator: PBT thermoplastic with glass-fiber reinforcement, UL94V-0 rated, Color: Black
- Contact Material: Socket - Phosphor Bronze
- Contact Plating Options:
  - Standard: gold flash on mating end, tin on termination end, nickel underplate on entire contact
  - 15 Option: 15u" gold on mating end, tin on termination end, nickel underplate on entire contact
  - 30 Option: 30u" gold on mating end, tin on termination end, nickel underplate on entire contact

**Electrical Specifications**

- Rated Current: 1.2A
- Rated Voltage: 30V RMS
- Insulation Resistance: more than 1000 megohms at 500V DC
- Contact Resistance: 13 milliohms max.
- Dielectric Withstanding Voltage: 1000V for 1 minute
- Operating Temperature: -55°C to +105°C



Tolerances
X.X ± 0.25
X.XX ± 0.15
Unless Stated Otherwise

REV.	DATE	DESCRIPTION	REV. BY	CHK. BY	DRAWN BY	DATE
A1	03/09/06	New Drawing	R. Aguirre	H. MA	R. Aguirre	03/09/06
A2	6/14/07	ECO #07-018	A. Frederick	H. MA		
A3	03/14/08	ECO #07-049	S. Vien	H. Ma	UNITS	mm
A4	12/31/17	ECO #17-037	J. Elbanna	C. Furumasu		
A5	04/04/19	ECO #19-020	H. MA	D. Shehan		

**K42X-E15S/S-A4NJ**

15 pin HD Female/15 pin HD Female D-Sub, RoHS Compliant  
0.750" Spacing with 4 Ground Brackets, jackscrews installed

