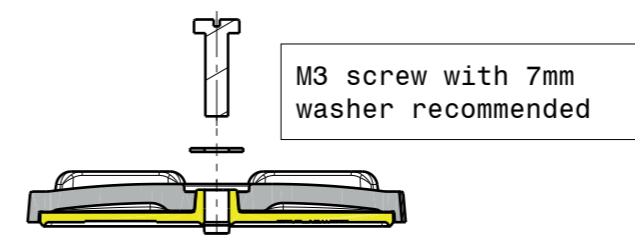
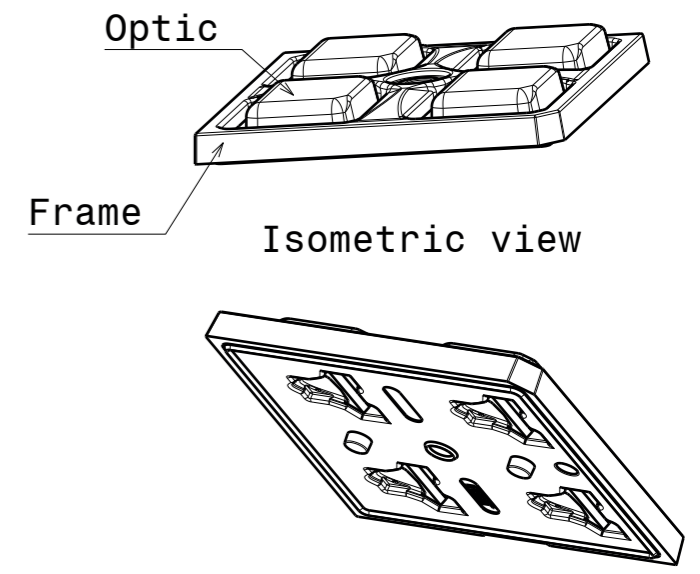
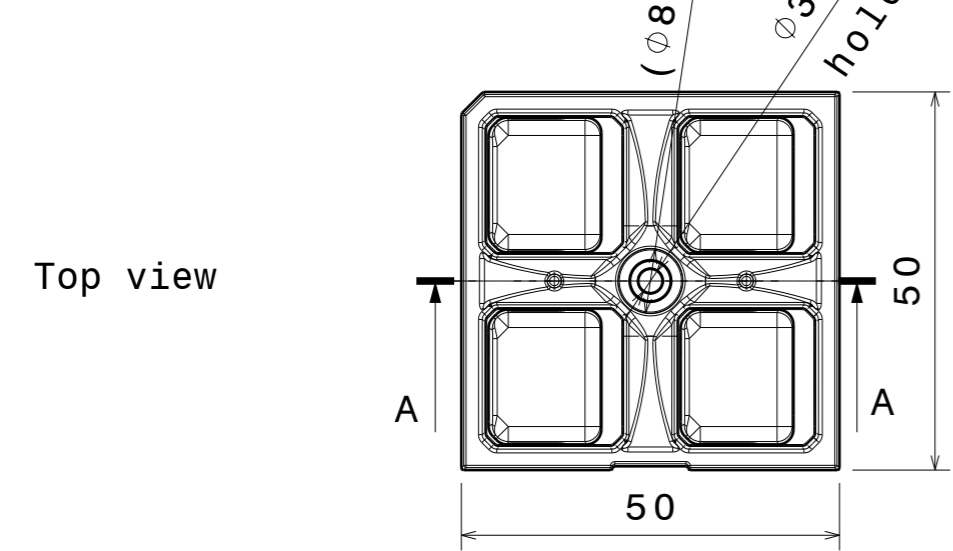
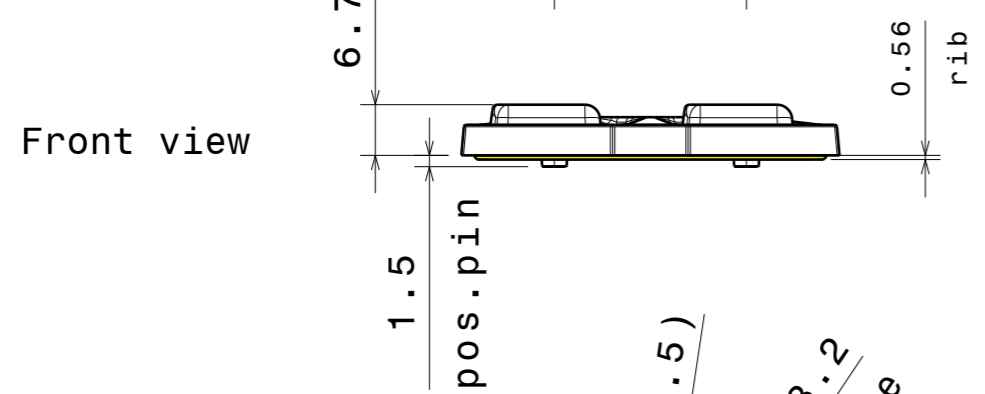
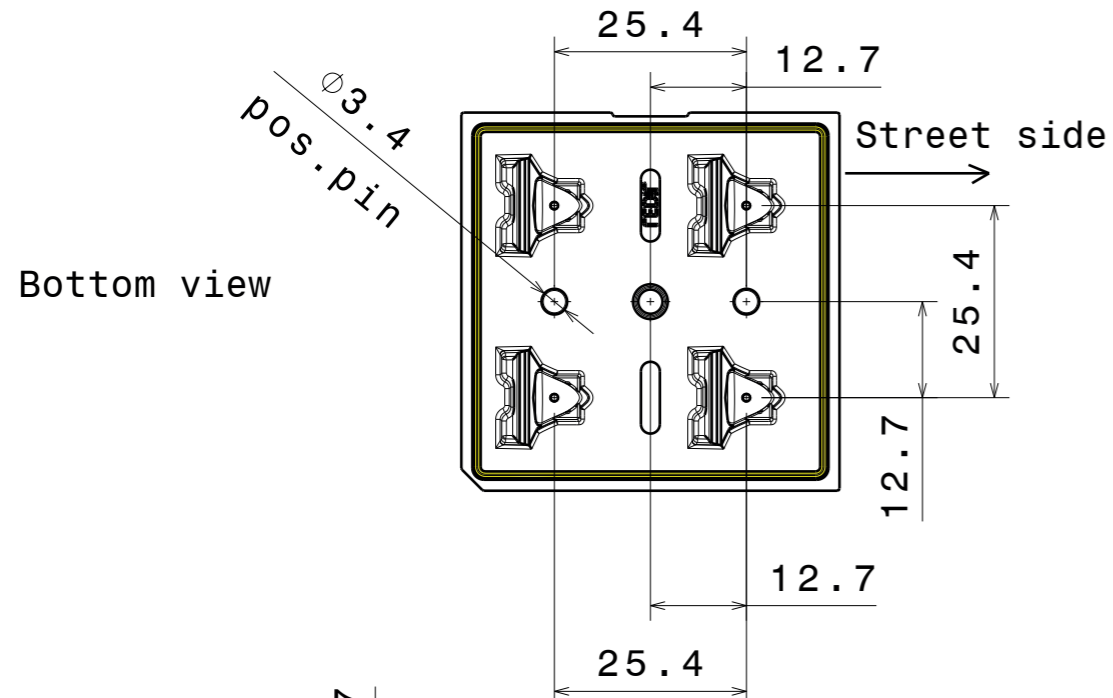

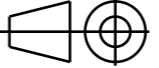


H G F E D C B A



Section view C-C  
Scale: 1:1

INDEX	PART NO	DESCRIPTION	MATERIAL	COLOUR
1	FN15180	STRADA-2X2S-T3	Optical grade LSR / PA66GF30	Optic clear, Frame Black
<small>Plastic moulding general tolerances according to DIN 16901-130 and applies if not otherwise shown in the drawing. Silicone moulding general tolerances according to ISO 3302-1 Class M3 and applies if not otherwise shown in the drawing.</small>		 Ledil Oy Salorankatu 10 FIN 24240 SALO Finland		
THIRD ANGLE PROJECTION: 		DRAWING TITLE <b>FN15180_STRADA-2X2S-T3</b>		
<small>This drawing is the property of LEDiL Oy. It may not be reproduced, copied or communicated without a written agreement with LEDiL Oy.</small>		SIZE <b>A3</b>	PART NUMBER <b>FN15180</b>	
		SCALE 1:1	WEIGHT - g	SHEET 1/1

H G B A