

# Customer Information Sheet

DRAWING No.: C90-3106FXXSX-XX

IF IN DOUBT - ASK

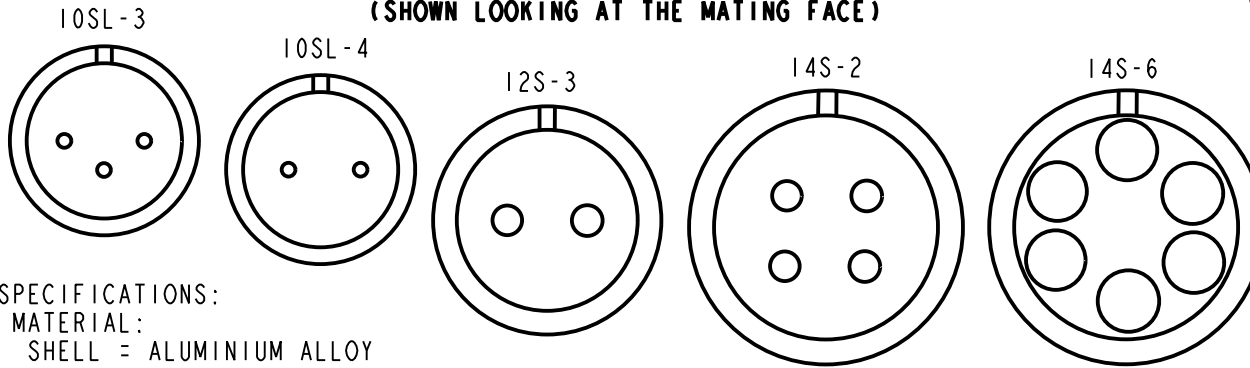


NOT TO SCALE

THIRD ANGLE PROJECTION

ALL DIMENSIONS IN mm

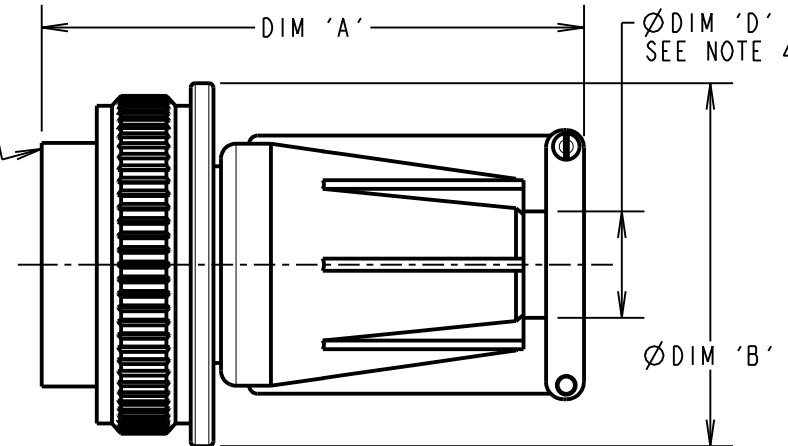
## CONTACT LAYOUT (SHOWN LOOKING AT THE MATING FACE)



'C' THREAD

DIM 'A'

Ø DIM 'D'  
SEE NOTE 4



### SPECIFICATIONS:

#### MATERIAL:

SHELL = ALUMINIUM ALLOY  
INSULATOR = SYNTHETIC RUBBER  
GROMMET = SYNTHETIC RUBBER  
CONTACT = COPPER ALLOY

#### FINISH:

SHELL = ZINC COBALT ALLOY, BLACK  
CONTACT = SILVER

#### ENVIRONMENTAL:

OPERATING TEMPERATURE = -55°C TO +125°C

#### MECHANICAL:

VIBRATION SENSITIVITY = 10Hz TO 500Hz, 98m/s<sup>2</sup> (10G)  
SHOCK SEVERITY = 490m/s<sup>2</sup> (50G) FOR 11ms  
WATER RESISTANCE (SEALING) = 1.8m FOR 48HRS,  
EXCEEDS IP67

#### ELECTRICAL:

CURRENT RATING = 13A

VOLTAGE RATING:

10SL, 12S SHELL SIZES = 500V AC, 700V DC

14S SHELL SIZE = 200V AC, 250V DC

VOLTAGE PROOF:

10SL & 12S SHELL SIZES = 2,000V AC

14S SHELL SIZES = 1,000V AC

INSULATION RESISTANCE = 5,000MΩ MIN

FOR MECHANICAL/ELECTRICAL REQUIREMENTS,  
SEE COMPONENT SPECIFICATION CO45XX (LATEST ISSUE)

ORDER CODE:

**C90-3106FXXXX-XX**

SHELL SIZE (CONTACT LAYOUT):

10SL-3, 10SL-4, 12S-3, 14S-2  
14S-6

CONTACT GENDER:

P - MALE  
S - FEMALE

### NOTES:

1. PRODUCT IS RoHS COMPLIANT.
2. PRODUCT IS PACKED IN BAGS.
3. RECOMMENDED WIRE SIZE 16-22 AWG.
4. CABLE CLEARANCE.
5. RECOMMENDED WIRE STRIP LENGTH = 7.5mm.

SHELL SIZE	DIM 'A' MAX	Ø DIM 'B'	'C' THREAD	Ø DIM 'D' MAX
10SL	58.72	22.04	5/8-24UNEF	7.14
12S	58.72	25.40	3/4-20UNEF	7.14
14S	58.72	28.30	7/8-20UNEF	10.31

MGP	9	03.06.19	21873
NAME	ISS.	DATE	C/NOTE
APPROVED: MGP			
CHECKED: MR			
DRAWN:		R. ADDE	
CUSTOMER REF.:			
ASSEMBLY DRG:			

# HARWIN

www.harwin.com  
technical@harwin.com

THIS DRAWING AND ANY  
INFORMATION OR DESCRIPTIVE  
MATTER SET OUT HEREON ARE  
CONFIDENTIAL AND COPYRIGHT  
PROPERTY OF THE HARWIN  
GROUP AND MUST NOT BE  
DISCLOSED, LOANED, COPIED  
OR USED FOR MANUFACTURING,  
TENDERING OR FOR ANY  
OTHER PURPOSE WITHOUT  
THEIR WRITTEN PERMISSION.

### TOLERANCES

X. = ±1mm  
X.X = ±0.50mm  
X.XX = ±0.20mm  
X.XXX = ±0.01mm

ANGLES = ±5°  
UNLESS STATED

### MATERIAL:

SEE ABOVE

FINISH: SEE ABOVE

S/AREA:

mm<sup>2</sup>

### TITLE:

STRAIGHT PLUG

DRAWING NUMBER:

**C90-3106FXXSX-XX**

SHT  
2 OF 2