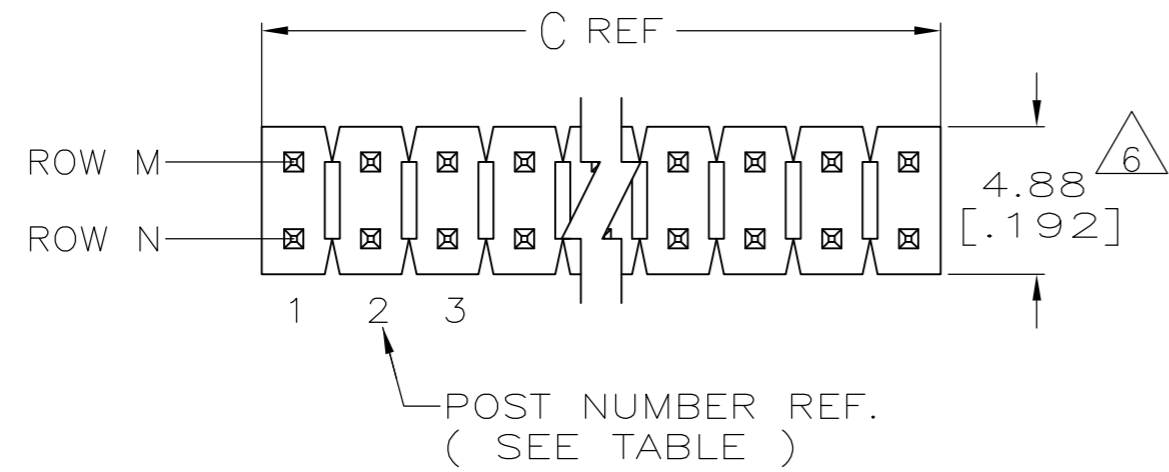
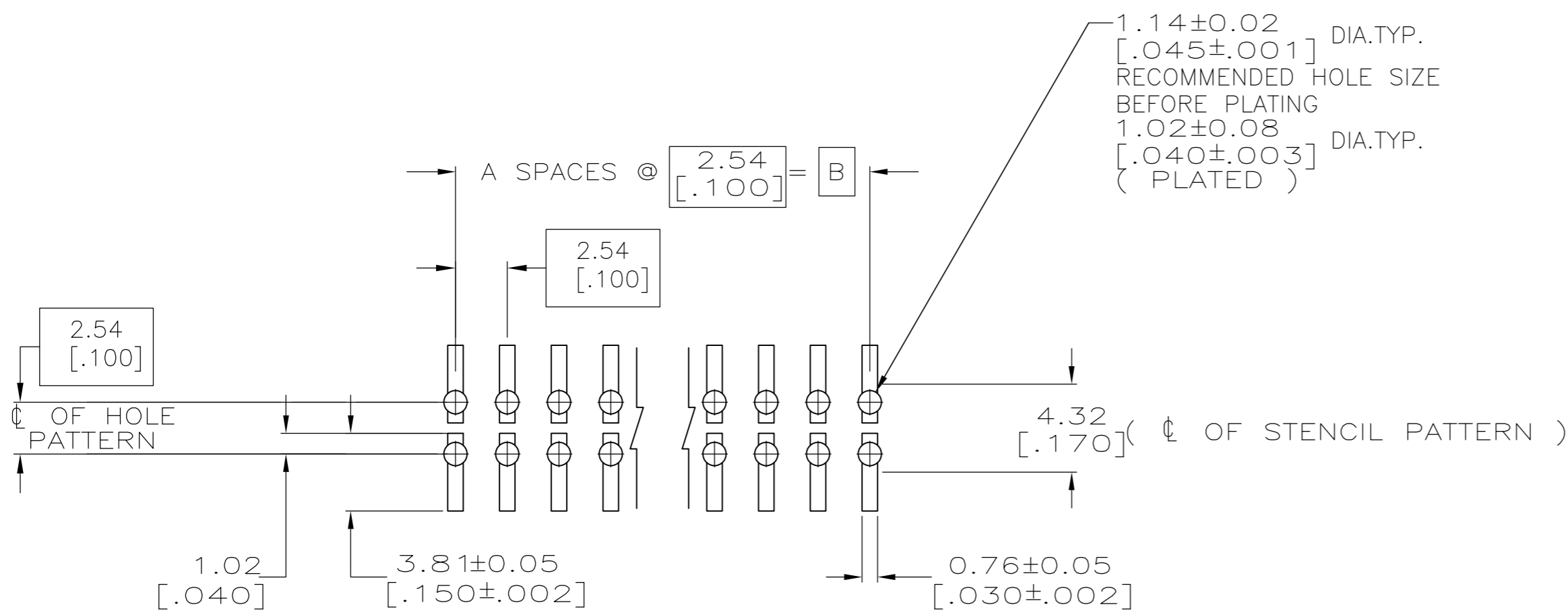
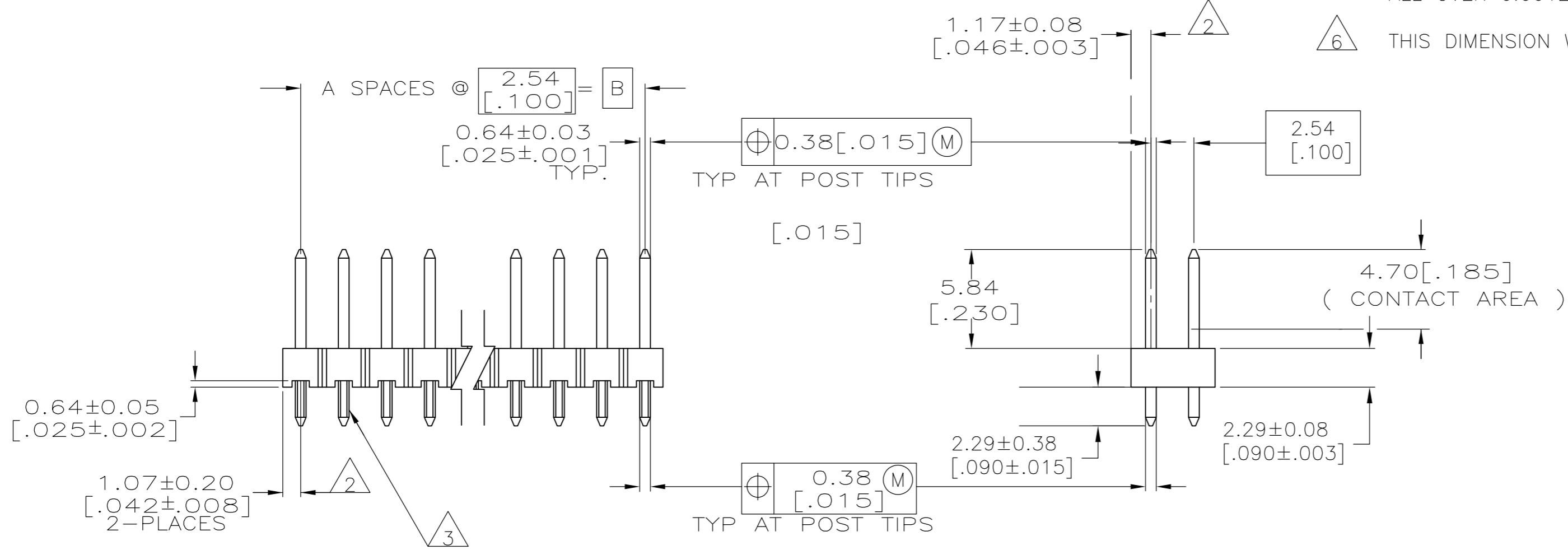


THIS DRAWING IS UNPUBLISHED. RELEASED FOR PUBLICATION
 © COPYRIGHT - By - ALL RIGHTS RESERVED.

LOC		DIST		REVISIONS					
AD		39		P	LTR	DESCRIPTION	DATE	DWN	APVD
				C		REVISED PER ECO-14-006554	09MAY2014	NK	MM



- 1 TRUE POSITION TOLERANCE OF THE POST TIPS APPLIES WHEN THE HEADER IS HELD FLAT AGAINST THE PRINTED CIRCUIT BOARD.
- 2 THE NOTED DIMENSIONS APPLY AT THE INTERSECTION OF THE POST AND HOUSING.
- 3 RETENTION FEATURES ON SOLDER TAILS, LOCATED AT MANUFACTURERS OPTION.
- 4 HOUSING: LCP, COLOR-BLACK. POST: PHOSPHOR BRONZE.
- 5 0.000076[.000030] MIN GOLD OVER 0.00068[.000027] Pd/NiIN CONTACT AREA, 0.00254-0.00508 [.0000100-.0000200] MATTE TIN ON SOLDER TAIL, ALL OVER 0.00127 [.000050] NICKEL.
- 6 THIS DIMENSION WILL BE 4.67[.184] FOR THE 2 POSITION CONFIGURATION.



RECOMMENDED PC BOARD MOUNTING DIMENSIONS
 FOR 1.60 [.063] THICK PC BOARD AND
 0.305 [.0120] STENCIL THICK.

5	101.19 [3.984]	99.06 [3.900]	39	80	8-1977953-0
5	2.13 [.084]	-	-	2	1977953-2
FINISH	C	B	A	NO. OF POSITIONS	PART NUMBER

THIS DRAWING IS A CONTROLLED DOCUMENT.		DWN	KIRAN HOLAL	31AUG2013	TE Connectivity	
DIMENSIONS: mm [INCHES]		CHK	MIKE MILLER	31AUG2013	NAME	
TOLERANCES UNLESS OTHERWISE SPECIFIED:		APVD	MIKE MILLER	31AUG2013	PRODUCT SPEC	
0 PLC ± -		APPLICATION SPEC		HEADER ASSEMBLY, MOD II, BREAKAWAY, DOUBLE ROW, .100 X.100CL, VERTICAL, WITH RETENTION FEATURE,.025 SQ.POSTS,HIGH TEMPERATURE, 30 Pd/Ni		
1 PLC ± -		WEIGHT		SIZE		
2 PLC ± 0.51[.02]		CUSTOMER DRAWING		CAGE CODE		DRAWING NO
3 PLC ± 0.127[.005]		SCALE		A2		00779
4 PLC ± 0.0127[.0005]		SHEET		C=		1977953
ANGLES ± -		REV		RESTRICTED TO		-
FINISH		SEE TABLE		SCALE 4:1		
MATERIAL		SHEET 1 of 1		REV C		