

基板参考パターン
P.W.B. PATTERN DIMENSION (REFERENCE)

② 基板パターン位置につきましてはSD-505071-001をご参照願いたします。
PLEASE REFER TO SD-505071-001 FOR THE P.W.B. PATTERN POSITION.

NOTES:

- ① トレードマーク：MXプラス1文字の製造工場を示すアルファベットにて表示。
但し、"J"はJAPANを示す。(例 MXJ)
FORMED BY MX AND 1 MORE LETTER OF ALPHABET WHICH MEAN THE MANUFACTORY.
BUT "J" MEANS JAPAN. (TO TRADE MARK)(e.g. MXJ)

2. 嵌合相手：5050710100
MATE WIT: 5050710100

3. ELVおよびRoHS適合品
ELV AND RoHS COMPLIANT.

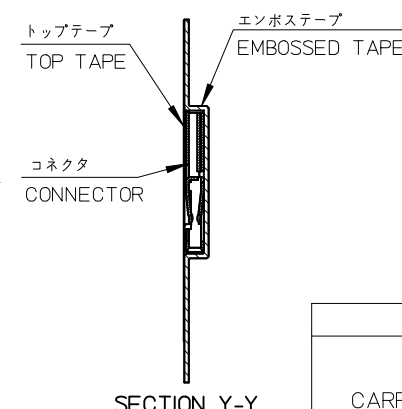
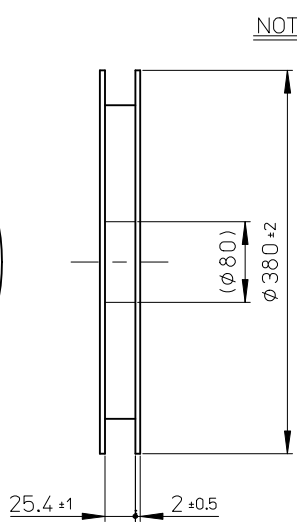
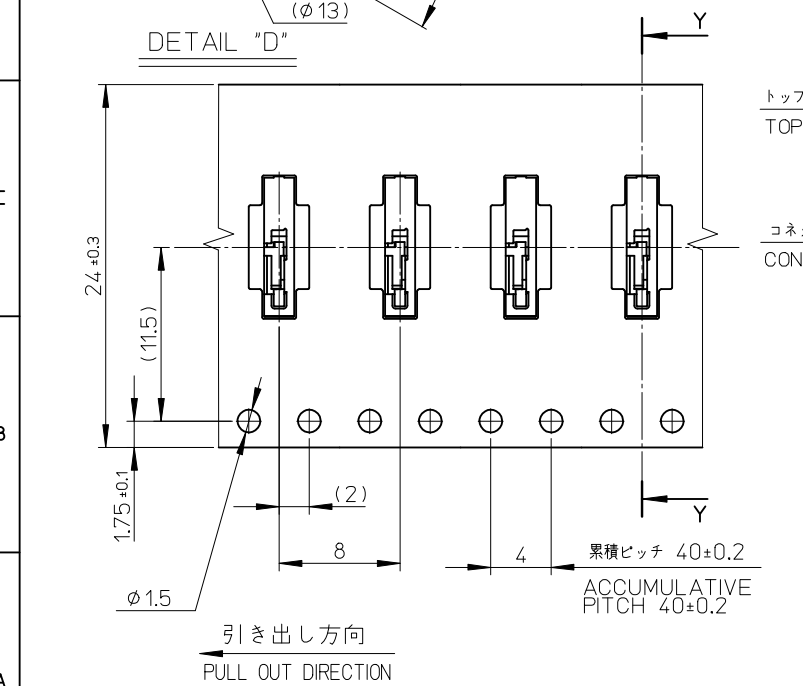
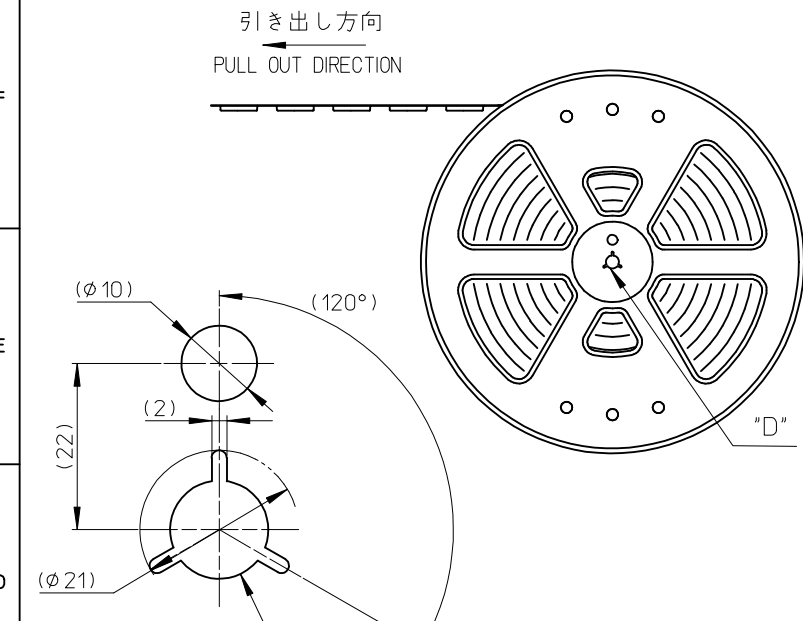
5050720101	505072
EMBOSSED TAPE PACKAGE	
オーダー番号 ORDER No.	CONNECTOR SERIES No.

部品 PART	材質 MATERIAL ②
ターミナル TERMINAL	銅合金 PRE-TINNED COPPER ALLOY 錫メッキ TIN ニッケルメッキ(下地) NICKEL UNDER PLATING

REVISED EC NO: J2015-0616 DRWN:HTONEGAWA 2014/11/06 CHKD:TNIITSU 2014/11/06 APPR:MYAGI 2014/11/07	DESCRIPTION	GENERAL TOLERANCES (UNLESS SPECIFIED)
	REV	10 UNDER ±0.2
		10 OVER 30 UNDER ±0.25
		30 OVER ±0.3
		ANGULAR ±1 °
		DRAFT WHERE APPLICABLE MUST REMAIN WITHIN DIMENSIONS

DIMENSION STYLE MM ONLY	
DRAWN BY HTONEGAWA	DATE 2013/10/31
CHECKED BY TNIITSU	DATE 2013/10/31
APPROVED BY MYAGI	DATE 2014/01/09
MATERIAL NO. SEE CHART	
SIZE A3	

SCALE 10:1	DESIGN UNITS METRIC	THIRD ANGLE PROJECTION
TITLE 1CKT. LED CONN. BB RECEPTACLE H=1.2		
DOCUMENT NO. SD-505072-001		SHEET NO. 1 OF 1
THIS DRAWING CONTAINS INFORMATION THAT IS PROPRIETARY TO MOLEX INCORPORATED AND SHOULD NOT BE USED WITHOUT WRITTEN PERMISSION		



- NOTES**
- 製品詳細寸法については、SD図面を参照下さい。
THE DETAIL DIMENSION REFER TO SALES DRAWING.
 - 梱包数量：7500 個/リール
NUMBER OF CONNECTORS：7500 PCS/REEL.
 - リードテープ長さ LEAD TAPE LENGTH.
トップテープ接着部(空エンボス)
TOP TAPE BONDED PART.(EMPTY)
引き出し方向 PULL OUT DIRECTION
20PCS. MIN.
トップテープリーダー部 TOP TAPE LEADER PART 400 MIN.
部品挿入部 COMPONENT SUPPLIER
末端部(空部) TAIL PART (EMPTY) 350 MIN.
 - トップテープの剥離強度：0.1N~1.3N(10.2gf~130gf) (剥離方向は下図参照)
尚、本規格値は出荷時に適用。(但し、輸送時に剥離が発生しないこと。)
PEEL FORCE OF TOP TAPE：0.1N~1.3N(10.2gf~130gf)
(PEEL DIRECTION AS SHOWN IN FOLLOWING FIG.)
THIS REQUIREMENT SHOULD BE APPLIED AT SHIPMENT.
PEEL OFF SHOULD NOT BE ALLOWED, DURING TRANSPORTATION.
剥離方向 PEEL OFF DIRECTION
10°
 - 材料 MATERIAL
キャリアテープ (CARRIER TAPE)：ポリプロピレン (POLYPROPYLENE)
トップテープ (TOP TAPE)：PET, PE, PEF
リール (REEL)：ポリスチレン (PS) <リサイクル材含む>
POLYSTYRENE (PS) <RECYCLE MATERIAL CONTAINED>
 - ELV 及びRoHS適合品
ELV AND RoHS COMPLIANT

24 mm	505072-0100	505072-0101	1
エンボステープ幅 CARRIER TAPE WIDTH	装着コネクタ CONNECTOR	EMBOSSSED TAPE PACKAGE オーダー番号 ORDER NO.	極数 CKT.
		CONNECTOR SERIES No.	505072-0***

REVISED EC NO: J2015-0616 DRWN:HTONEGAWA 2014/11/06 CHKD:TNIITSU 2014/11/06 APPR:MYAGI 2014/11/07	GENERAL TOLERANCES (UNLESS SPECIFIED)		DIMENSION STYLE MM ONLY		SCALE ----	DESIGN UNITS METRIC	THIRD ANGLE PROJECTION
	10 UNDER	±0.2	DRAWN BY HTONEGAWA	DATE 2013/11/29	TITLE 1CKT. LED CONN. BB RECEPTACLE H=1.2 EMBOSSSED TAPE PACKAGE		
	10 OVER 30 UNDER	±0.25	CHECKED BY TNIITSU	DATE 2013/11/29			
	30 OVER	±0.3	APPROVED BY MYAGI	DATE 2014/01/09			
ANGULAR	±1 °	MATERIAL NO. SEE CHART	DOCUMENT NO. SD-505072-002		SHEET NO. 1 OF 1		
DRAFT WHERE APPLICABLE MUST REMAIN WITHIN DIMENSIONS		THIS DRAWING CONTAINS INFORMATION THAT IS PROPRIETARY TO MOLEX INCORPORATED AND SHOULD NOT BE USED WITHOUT WRITTEN PERMISSION					