

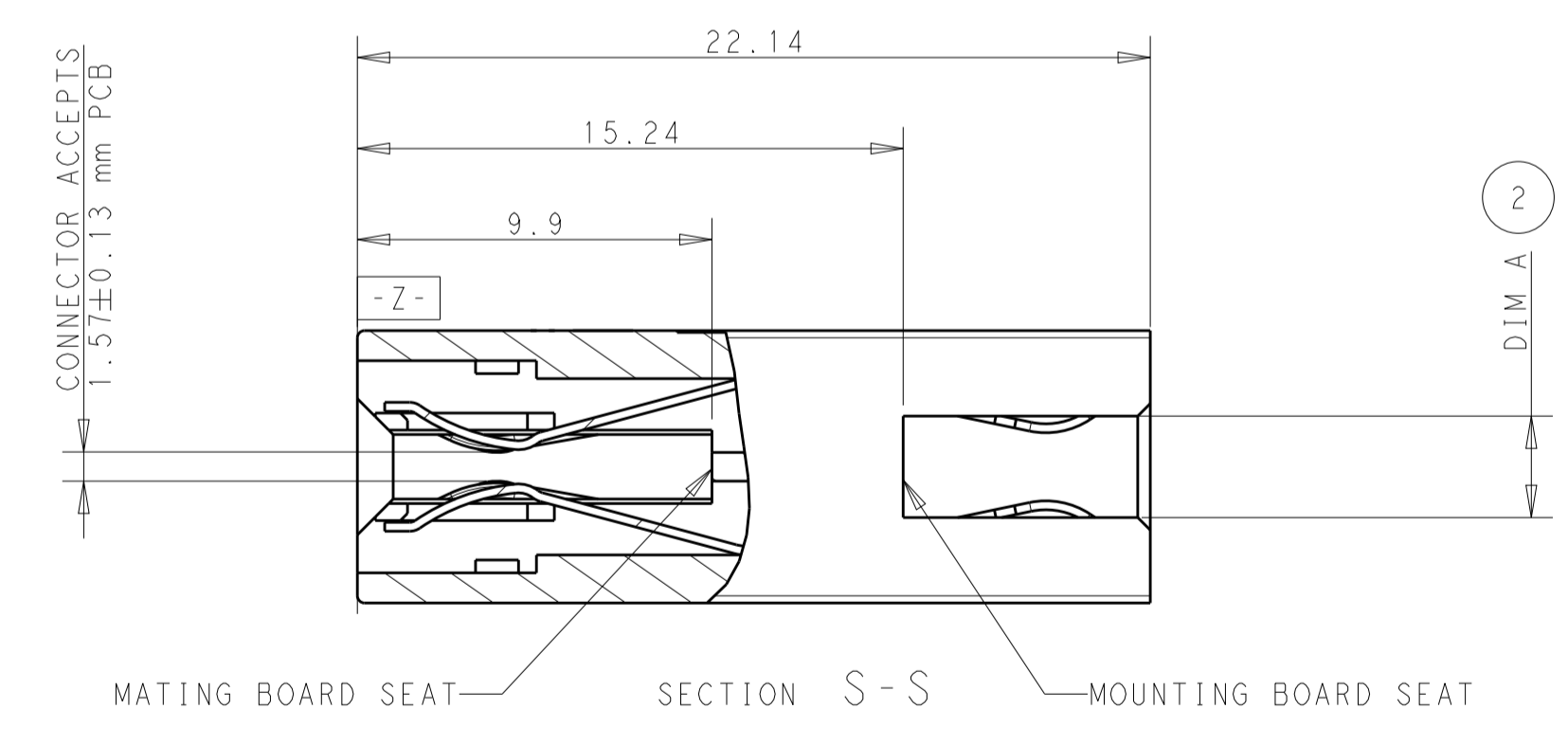
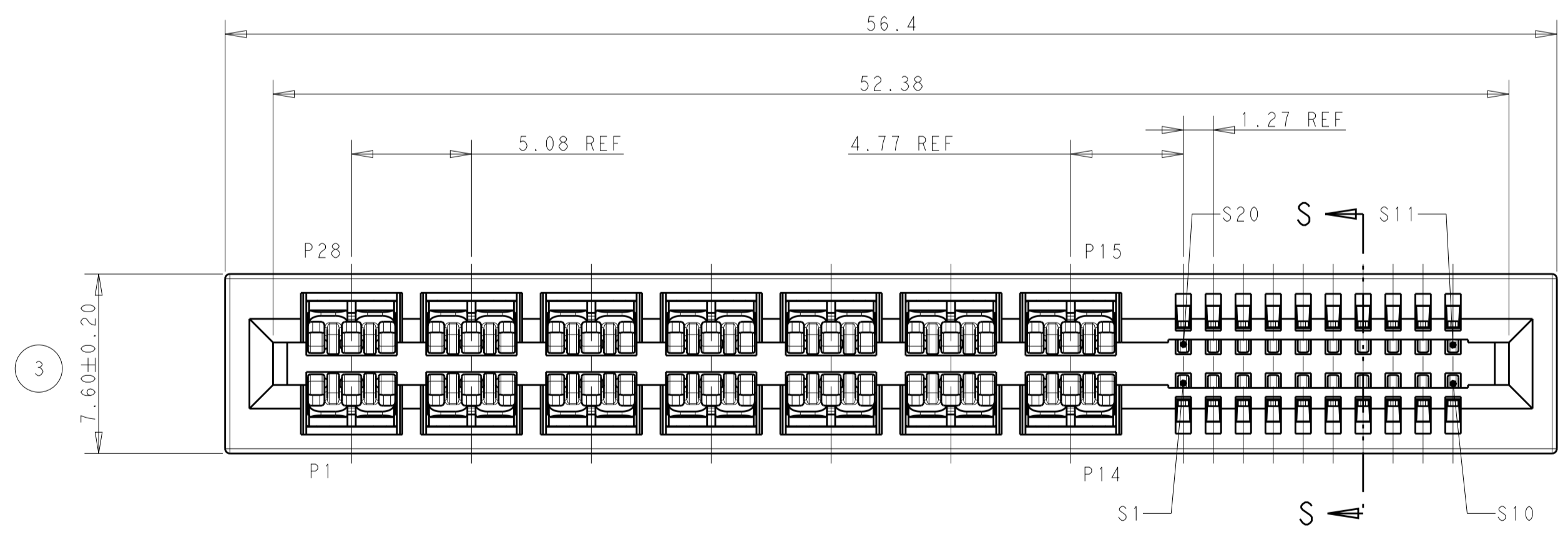
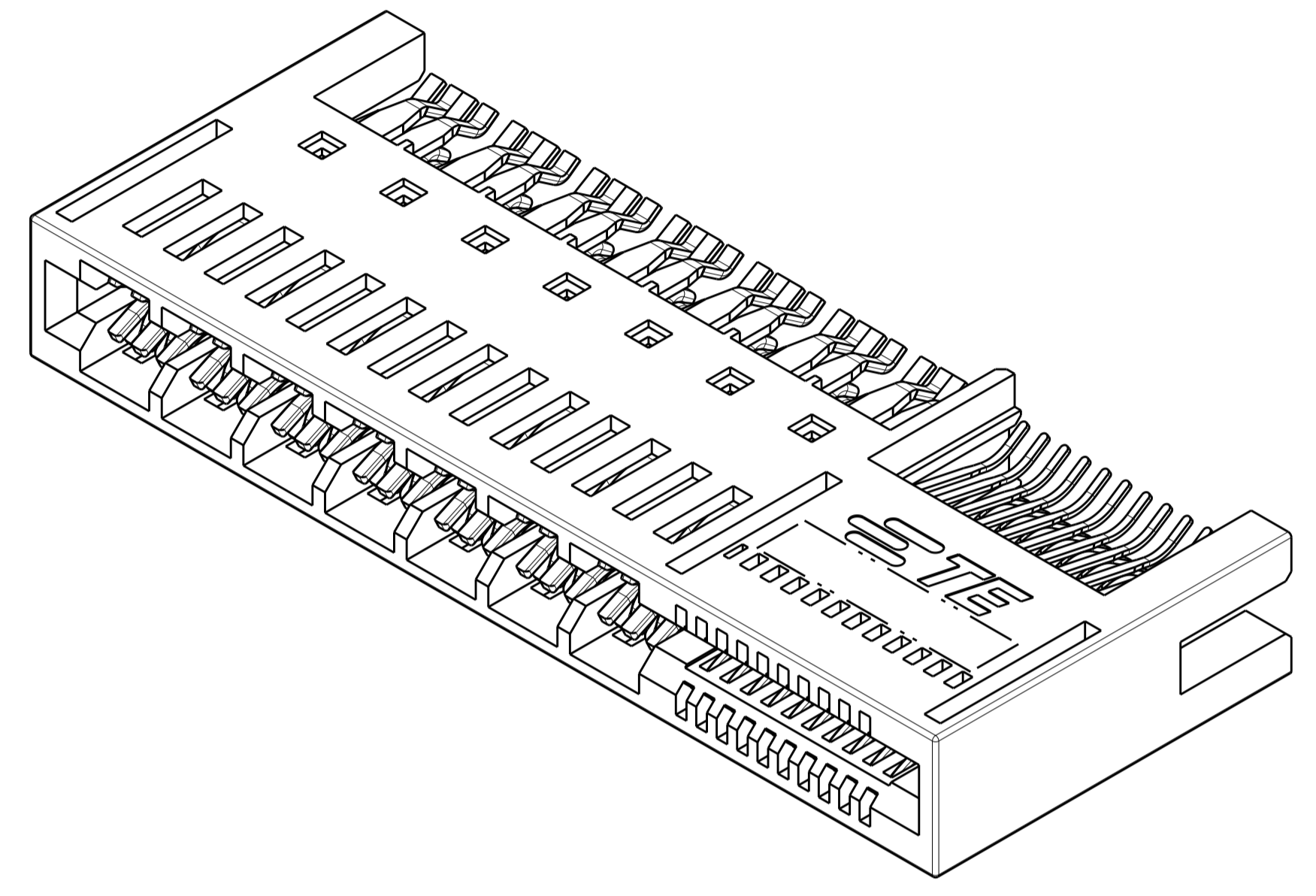
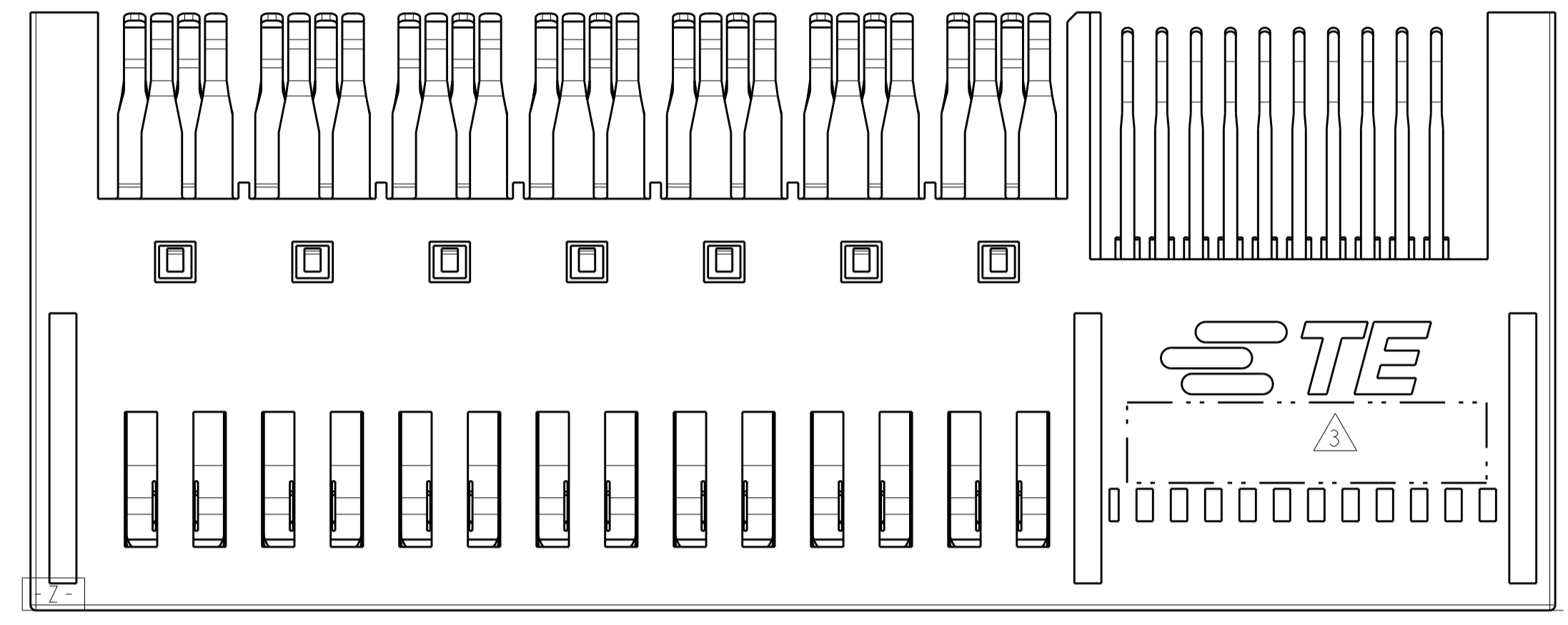
REVISIONS				
P	LTN	DESCRIPTION	DATE	APVD
A		FIRST RELEASE	23JUN2020	SZ SZ
A1		RENAME PIN# ASSIGNMENTS PER REQ'	03AUG2020	SZ SZ

NOTES, UNLESS OTHERWISE SPECIFIED

1. MATERIAL:  
 HOUSING - THERMOPLASTIC, GLASS PREINFORCED, COLOR, BLACK, UL 94V-0  
 CONTACTS - COPPER ALLOY.

2. FINISH:  
 MATING AREA - NOBLE METAL OVERALL NICKEL.  
 SOLDER TAIL - MATTE TIN OVERALL NICKEL.

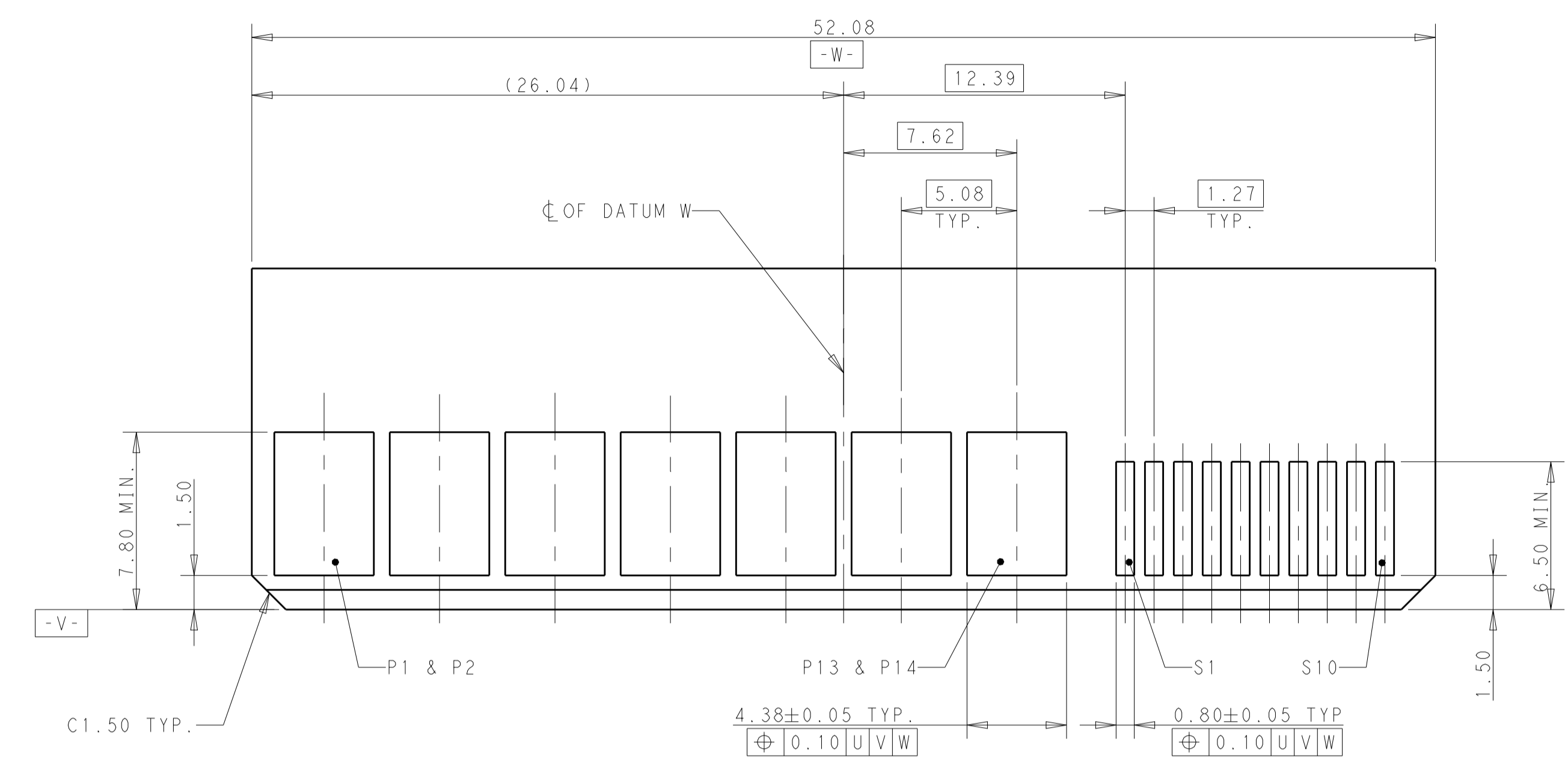
③ MARK P/N AND DATA CODE IN APPROX. AREA AS SHOWN.



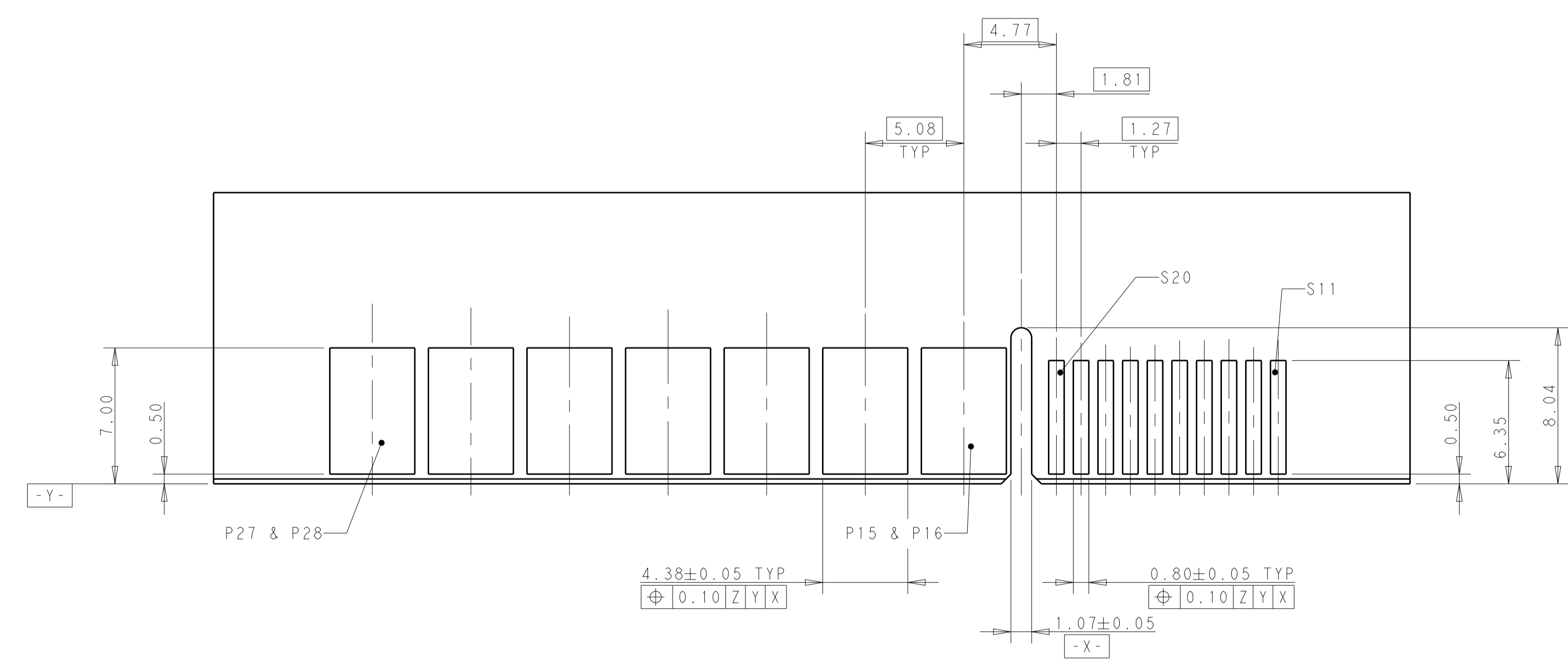
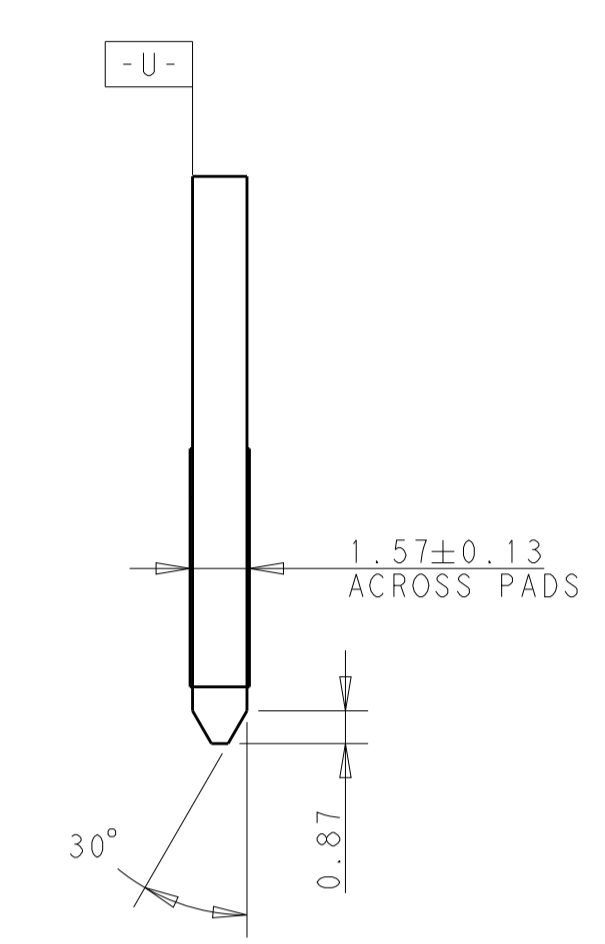
1.93 ± 0.15	2.18	2360558-2
2.54 ± 0.20	2.83	2360558-1
DIM B	DIM A	PART NUMBER
MOUNTING BOARD THICKNESS		

THIS DRAWING IS A CONTROLLED DOCUMENT.		OWN: SEAN ZHANG	29JUL2019	TE Connectivity	
DIMENSIONS:		CHK: SUNY ZHAO	29JUL2019	NAME: HD+ CARD EDGE, 2X7P-2X10S, STRADDLE MOUNT	
TOLERANCES UNLESS OTHERWISE SPECIFIED:		APVD: SUNY ZHAO	29JUL2019	PRODUCT SPEC: -	
mm		APPLICATION SPEC: -		RESTRICTED TO: -	
0 PLC ±		SIZE: A1		CAGE CODE: -	
1 PLC ±0.5		SCALE: 2:1		SHEET 1 OF 2	
2 PLC ±0.25		REV: A1		REV: A1	
3 PLC ±		CUSTOMER DRAWING		SCALE: 2:1	
4 PLC ±				SHEET 1 OF 2	
ANGLES ±				REV: A1	
FINISH ±					

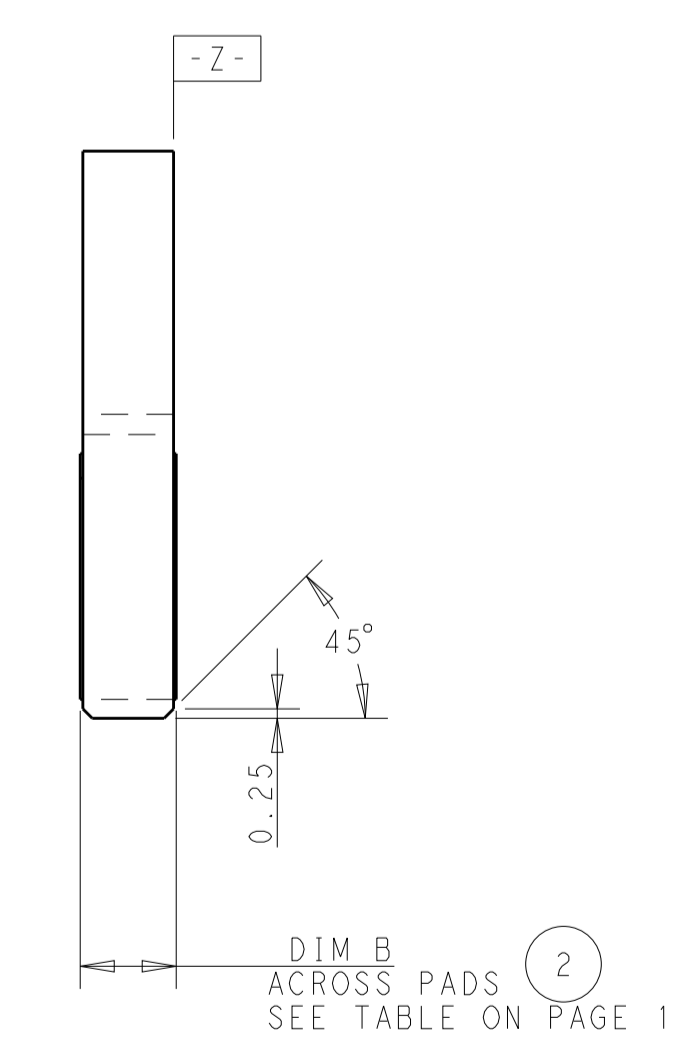
REVISIONS				
P.	LTN	DESCRIPTION	DATE	APVD
		SEE SHEET 1		



RECOMMENDED MATING BOARD EDGE CONFIGURATION



RECOMMENDED MOUNTING BOARD EDGE CONFIGURATION



THIS DRAWING IS A CONTROLLED DOCUMENT.		OWN: SEAN ZHANG 29JUL2019	 TE Connectivity
DIMENSIONS: mm		CHK: SUNY ZHAO 29JUL2019	
TOLERANCES UNLESS OTHERWISE SPECIFIED: 0 PLC ±0.20 1 PLC ±0.10 2 PLC ±0.10 3 PLC ±0.10 4 PLC ±0.10 ANGLES ±2°		NAME: HD+ CARD EDGE, 2X7P-2X10S, STRADDLE MOUNT	RESTRICTED TO: -
MATERIAL: TBD		WEIGHT: -	SIZE: A1
FINISH: -		CAGE CODE: C=2360558	SCALE: 2:1
CUSTOMER DRAWING		SHEET: 2 OF 2	REV: A1