

4

3

2

1


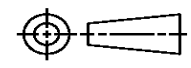
THIS DRAWING IS UNPUBLISHED. RELEASED FOR PUBLICATION  
© COPYRIGHT ALL RIGHTS RESERVED.

LOC	DIST	REVISIONS			
P	LTR	DESCRIPTION	DATE	DWN	APVD
	A1	ECR-18-005440	13APR18	GK	SD

# REPLACED BY OCEAN STYLE APPLICATOR PART NUMBER 2836809-1

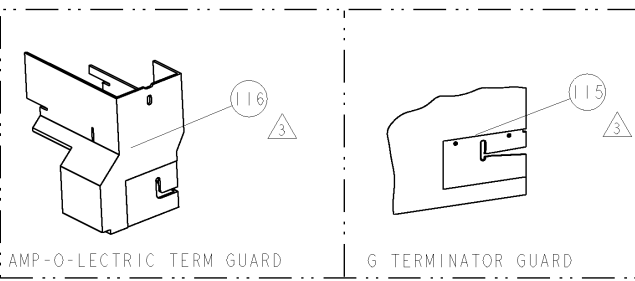
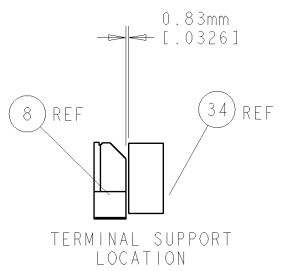
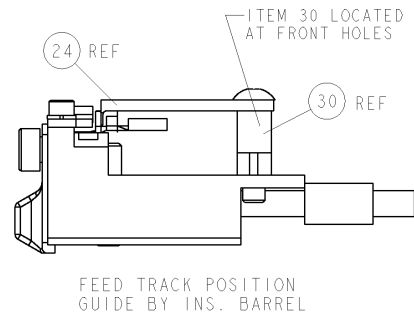
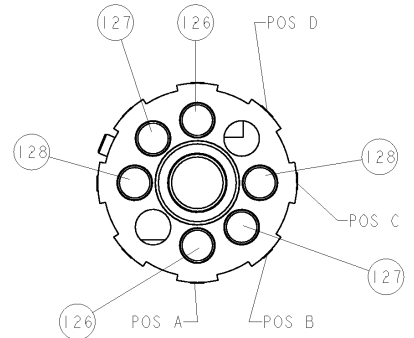
FOR REPLACEMENT PARTS FOR APPLICATOR 1852757  
REFER TO ADDITIONAL PAGE(S). SPARE PARTS KIT (IF LISTED)  
WILL REMAIN AVAILABLE.

THE REPLACEMENT OCEAN STYLE APPLICATOR HAS THE  
SAME TERMINATOR/PRESS INTERFACE AS APPLICATOR  
1852757

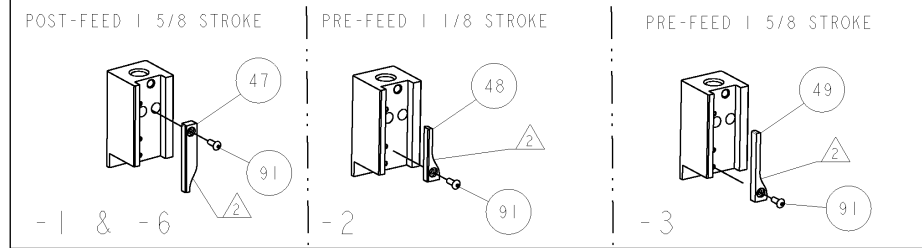
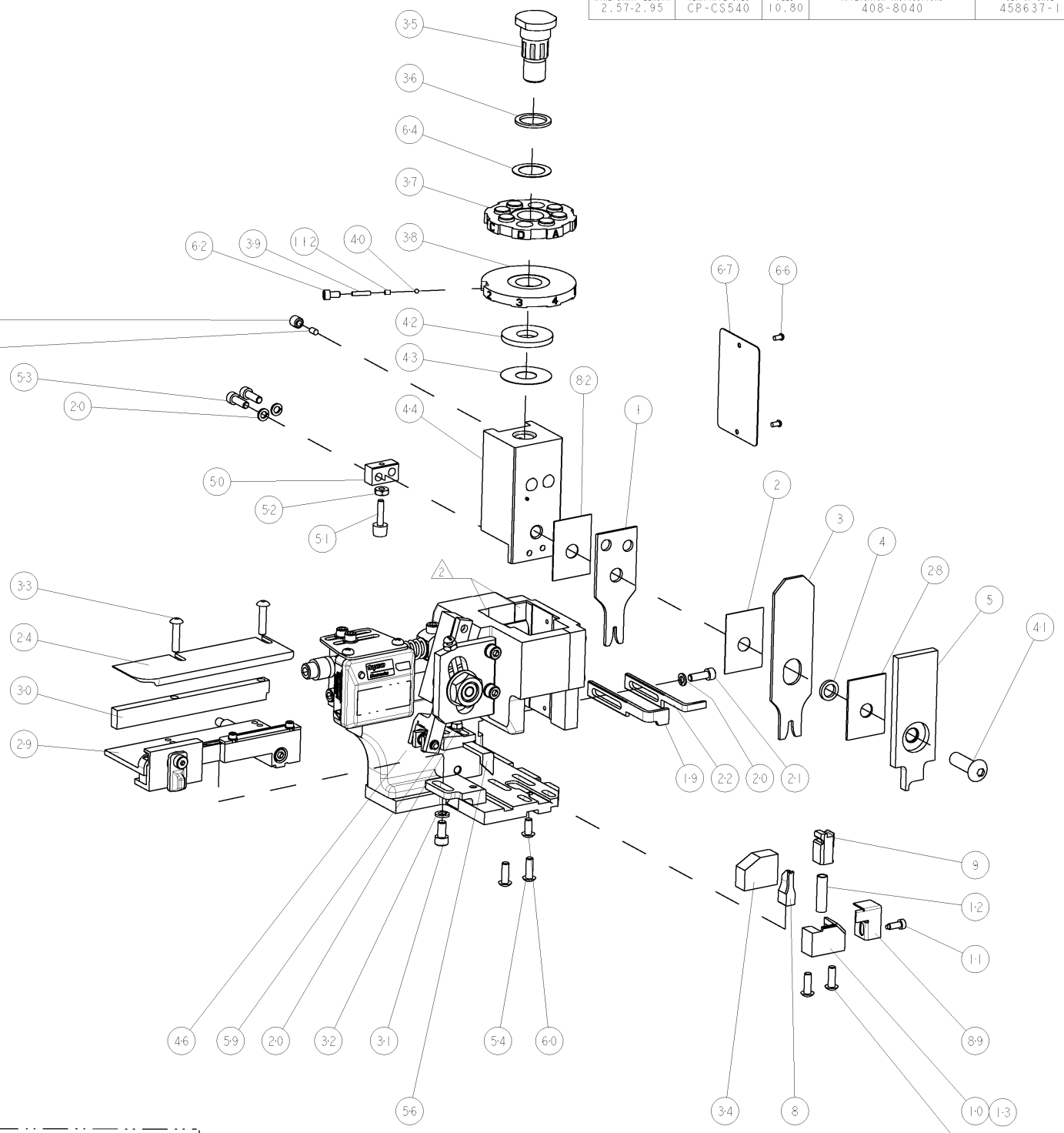
THIS DRAWING IS A CONTROLLED DOCUMENT.		DWN	GOPALAKRISHNA HV		 <b>TE Connectivity</b>
DIMENSIONS:		CHK	GOPALAKRISHNA HV		
		TOLERANCES UNLESS OTHERWISE SPECIFIED:		NAME	
		0 PLC ±		SIDE FEED HDM APPLICATOR	
		1 PLC ±		PRODUCT SPEC	
		2 PLC ±		APPLICATION SPEC	
		3 PLC ±		SIZE	
		4 PLC ±		CAGE CODE	
		ANGLES ±		DRAWING NO	
MATERIAL		FINISH		RESTRICTED TO	
				A3	
				C- 1852757	
		WEIGHT		SCALE	
		CUSTOMER DRAWING		SHEET 1 OF 2	
				REV A1	

PART NUMBER	REV	FIRST USED	POWER UNIT	FEED TYPE	DESCRIPTION
1852757-1	A	122500-1	LEADMAKER	POST FEED	CUTS CARRIER
1852757-2	A	565435-5	BENCH MODEL K	PRE FEED	CUTS CARRIER
1852757-3	A	354500-1	BENCH MODEL G	PRE FEED	CUTS CARRIER
1852757-6	A	122500-1	LEADMAKER	POST FEED	CONTINUOUS CARRIER
7-1852757-7	A	-	-	-	SPARE PARTS

- △ RECOMMENDED SPARE PARTS
- △ GREASE LIGHTLY
- △ GUARD MUST BE IN PLACE WHEN OPERATING APPLICATOR IN A BENCH MACHINE



TERMINAL NAME: EL CONNECTOR CONTACT			
TE PN	JST	JST TERMINAL - JST CRIMP SPECS	
1949563-1	SLM-41T-PI.3E		
1949564-1	SLF-41T-PI.3E		
		PAD LTR	CRIMP HEIGHT
		A	1.10mm ± .05 [- .05] [ .043+ .002/- .002]
		B	1.00mm ± .05 [- .05] [ .039+ .002/- .002]
		C	0.95mm ± .05 [- .05] [ .037+ .002/- .002]
		D	-
		CRIMP	SIZE
		WIRE	1.96mm [ .077]
		INSUL	3.30mm [ .130]
		FEED	10.80
		APPLICATOR INSTRUCTIONS	408-8040
		SET UP GAGE	458637-1



REV	DATE	DESCRIPTION	BY	CHKD			
2	2	2	2	-	3-354779-1	PIN, WIRE DISC, .3145	128
2	2	2	2	-	2-354779-7	PIN, WIRE DISC, .3125	127
2	2	2	2	-	1-354779-8	PIN, WIRE DISC, .3080	126
-	-	REF	-	...	455749-1	GUARD WINDOW	116
-	-	REF	-	...	679532-1	INSERT, GUARD	115
1	1	1	1	-	690603-1	SPRING ASSIST AMP-O-MATOR APPLICATOR	112
1	1	1	1	-	1-21002-7	SCR, BTN SKT HD CAP 6-32 X .375	91
1	1	1	1	-	318563-1	GUARD, FRONT CHIP	89
1	1	1	1	-	455888-5	SPACER, CRIMPER	82
1	1	1	1	-	4088040	SF APPL INST 408-8040	72
1	1	1	1	-	217238-1	GENERAL INSTRUCTION PKG	71
1	1	1	1	-	461264-1	PLATE, IDENTIFICATION	67
2	2	2	2	-	21017-2	SCREW, DRIVE	66
1	1	1	1	-	986950-1	WASHER, FLAT PRECISION	64
1	1	1	1	-	21009-2	SCR, SET, SELF LOCKING 1/4-20 X .250	63
1	1	1	1	-	23030-1	SCR, SKT HD CAP 6-32 X .25	62
1	1	1	1	-	22733-8	SCR, BHSC, SELF-LOCKING, 8-32 X .375	60
1	1	1	1	-	2-22603-0	SCR, HEX HD CAP 8-32 X .312	59
1	1	1	1	-	458537-2	PAWL, FEED	56
4	4	4	4	-	2-21002-2	SCR, BTN SKT HD CAP 8-32 X .500	54
2	2	2	2	-	2-21000-7	SCR, SKT HD CAP 8-32 X .500	53
1	1	1	1	-	21018-5	NUT, HEX, REG 6-32	52
1	1	1	1	-	811242-2	BUMPER, HOLD DOWN	51
1	1	1	1	-	690753-1	SPACER, TONKER	50
-	-	-	-	...	690602-6	CAM, PRE FEED, 1 5/8	49
-	-	-	-	...	690602-5	CAM, PRE FEED, 1 1/8	48
1	1	1	1	-	690501-4	CAM, POST-FEED 1 5/8	47
1	1	1	1	-	459456-1	APPL. BASIC SUB ASSY (SIDE WISE MOCA)	46
1	1	1	1	-	690191-1	PLUG, NYLON	45
1	1	1	1	-	455673-1	RAM, SIDE FEED	44
1	1	1	1	-	690125-1	SHIM SUB-ASSY	43
1	1	1	1	-	1-690124-4	WASHER, RAM (.120)	42
1	1	1	1	-	7-21002-9	SCR, BTN SKT HD CAP 5/16-24 X 1.00	41
1	1	1	1	-	23241-6	BALL, STEEL	40
1	1	1	1	-	690170-1	SPRING, COMPRESSION	39
1	1	1	1	-	690142-1	DISC, INSULATION	38
1	1	1	1	-	354777-1	WIRE DISC, ASSEMBLY	37
1	1	1	1	-	22480-5	SPRING, COMPRESSION	36
1	1	1	1	-	690212-1	POST, RAM	35
1	1	1	1	-	690786-1	TERMINAL SUPPORT	34
2	2	2	2	-	2-21002-4	SCR, BTN SKT HD CAP 8-32 X .750	33
1	1	1	1	-	21024-5	WASHER, SPRG LOCK, REG NO 10	32
1	1	1	1	-	3-21000-4	SCR, SKT HD CAP 10-32 X .375	31
1	1	1	1	-	1320908-4	SPACER, STRIP GUIDE	30
1	1	1	1	-	1633091-1	ASSEMBLY, STRIP GUIDE	29
1	1	1	1	-	1-455888-0	SPACER, CRIMPER	28
1	1	1	1	-	1320928-1	PLATE, STRIP GUIDE	24
1	1	1	1	-	690472-2	STRIPPER	22
1	1	1	1	-	2-21000-7	SCR, SKT HD CAP 8-32 X .500	21
4	4	4	4	-	21024-4	WASHER, SPRG LOCK, REG NO 8	20
-	-	-	-	...	691353-1	STRIPPER	19
1	1	1	1	-	679625-1	SHEAR HOLDER, FRONT (NO CUT)	13
1	1	1	1	-	3-22280-3	SPRING, COMPRESSION	12
1	1	1	1	-	690461-1	STOP, SHEAR	11
-	-	-	-	...	690459-1	SHEAR HOLDER, FRONT	10
1	1	1	1	-	454276-1	FLOATING SHEAR, FRONT	9
1	1	1	1	-	9-1633535-0	ANVIL, COMBINATION	8
-	-	-	-	...	-	-	7
-	-	-	-	...	-	-	6
1	1	1	1	-	1-455889-4	DEPRESSOR, SHEAR	5
1	1	1	1	-	238011-7	BLOCK, CRIMPER SPACER	4
1	1	1	1	-	2-854830-3	CRIMPER, INSULATION SPECIAL	3
1	1	1	1	-	455888-3	SPACER, CRIMPER	2
1	1	1	1	-	1633738-1	CRIMPER, WIRE	1

DIMENSIONS: INCHES		TOLERANCES UNLESS OTHERWISE SPECIFIED:		DRAWN: G. BAILEY		DATE: 20NOV2008		NAME: SIDE FEED HDM APPLICATOR	
0 PLC	± .01	1 PLC	± .005	APVD:	W. DOWLING	DATE:	20NOV2008	SCALE:	3:5
2 PLC	± .001	3 PLC	± .0001	MATERIAL:		FINISH:		SHEET:	1 OF 1
4 PLC	± .0001	ANGLE:		WEIGHT:		CAGE CODE:	00779	REV:	A