

Wahl HEAT SPY®

Heat Spy® Monitor R10 Series Compact Fixed Infrared Sensor

Need to measure a small target accurately? Too hot to get close? Only one infrared product can solve these problems - the Wahl R10 Heat Spy! Get a more accurate measurement at a safer distance with confidence!

R10 FEATURES and SPECIFICATIONS

- Impressive Accuracy
- Compact integrated sensor - easy to install
- Temperature Range from 0° to 500°C (32° to 932°F)
- Linear 4-20mA analog output
- D:S: 20:1
- IP65 (NEMA 4)
- Constructed of 304 Stainless Steel
- 24V DC Power

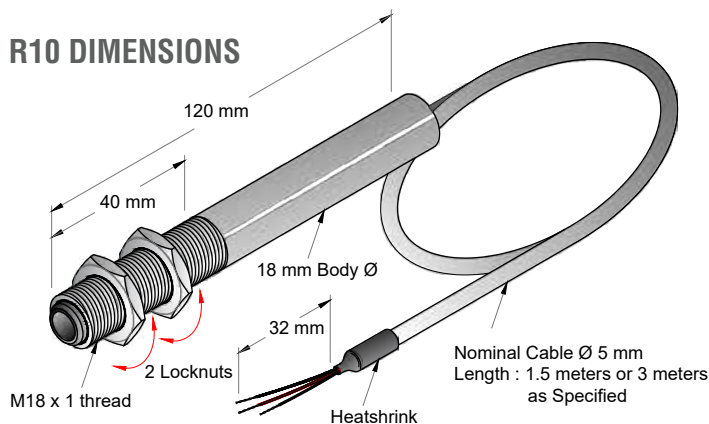
Model Definition			
Model	Output	Wiring	Connection Cable Length
R10A	4-20mA	24 AWG. Shielded 2 Conductor, PVC Insulated	5 feet (1.5m)
R10A-10			10 feet (3.0m)

Measuring Specifications	
Range	0° to 500°C, 32° to 932°F
D:S Ratio	20:1
Spectral Range	8 – 14 µm
Accuracy	0° to 500°C: ± 1% of reading or ± 2°C, whichever is greater
Repeatability	1% or ±1°C
Response Time	500 mS
Emissivity	0.95 fixed

APPLICATIONS

- | | |
|---------------|--------------------------|
| Asphalt | Paint |
| Baking | Paper |
| Coatings | Pharmaceutical |
| Chemicals | Plastics |
| Drying/Curing | Printing and Laminating |
| Food | Research and Development |
| Minerals | Textiles and Carpet |

R10 DIMENSIONS



**Extremely Accurate Compact
Industrial Infrared Thermometer!
Designed and Built in Asheville,
North Carolina - USA!**

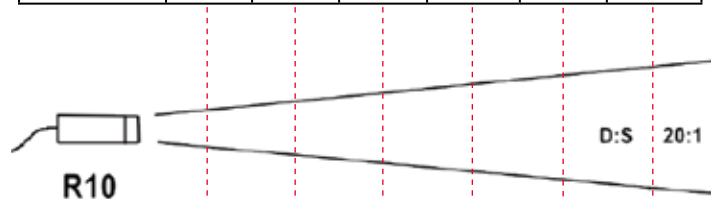


R10A-10

Sensor Specifications	
Ambient Temperature	0° to 70°C (32° to 158°F)
with Air Cooling	0° to 90°C (32° to 194°F)
with Water Cooling	0° to 200°C (32° to 392°F)
Storage	-20° to 70°C (-4° to 158°F)
Relative Humidity	10% - 95% non-condensing
Protection Class	IP65 (NEMA 4)
Shock & Vibration	MIL-STD-810D
Housing Material	304 Stainless Steel
Dimensions	18mm Dia. x 120mm (0.7 x 4.75 in) / Thread: M18 x 1
Weight	270 g (9.52 oz)

Optical Specifications

Distance (mm)	0	200	400	600	800	1000
Target (mm)	8.9	10	20	30	40	50



Distance (in)	0	8	16	24	32	40
Target (in)	0.35	0.4	0.8	1.2	1.6	2

Specifications subject to change without notice. Heat Spy is a registered trademark of Wahl Instruments, Inc.

October
2020

Palmer Wahl Instruments, Inc. • Toll Free: 800-421-2853 • Phone: 828-658-3131 • www.palmerwahl.com



Palmer / Wahl
BEYOND THE SCALE

R10 Compact Infrared Ordering Guide

THERMOPILE MODELS - Step 1 - Select: Model

R10A	Compact Infrared Sensor, 8 to 14 μm , 0° to 500°C (0° to 932°F), 4-20mA Analog Output, 1.5 meter (5 ft) Cable, Certificate of Conformance, User Manual
R10A-10	Compact Infrared Sensor, 8 to 14 μm , 0° to 500°C (0° to 932°F), 4-20mA Analog Output, 3 meter (10 ft) Cable, Certificate of Conformance, User Manual
Add Accessories below as desired, list as separate line items	

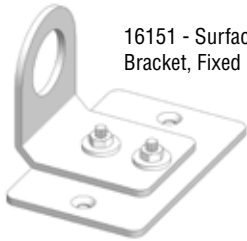
R10 Compact Infrared Accessories

SURFACE MOUNT

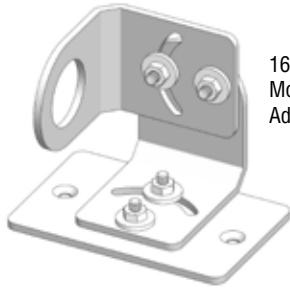
R10 Surface Mount Brackets:

16151 - R10 Surface Mount Bracket, Fixed, 18.25mm (0.7") Dia.

16153 - R10 Surface Mount Bracket, Adjustable, 18.25mm (0.7") Dia.



16151 - Surface Mount Bracket, Fixed

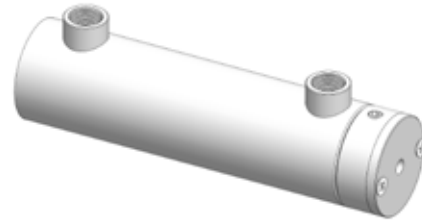


16153 - Surface Mount Bracket, Adjustable

AIR/WATER COOLING JACKET

R10 Air/Water Cooling Jacket:

16180 - R10 Air/Water Cooling Jacket - 31.75mm (1.25") Diameter by 114.3mm (4.50") Long, with 2, 1/8" FNPT Fittings.



For a detector installed in a very hot environment a cooling jacket is used to cool the electronics.

AIR PURGE

R10 Compact Air Purge Collar:

16171 - R10 Air Purge Collar, M18x1 Threads, Outside Diameter 30mm (1.18")



An Air Purge is used to eliminate dust, dirt, heat, fumes or vapors from the front of the optical head, and to keep the lens clean.

POWER SUPPLY

Power Supply:

16116 - Compact AC/DC Power Supply, 24V, 31W

16117 - AC/DC Power Supply, 24V, 25 to 150 W



16116



16117