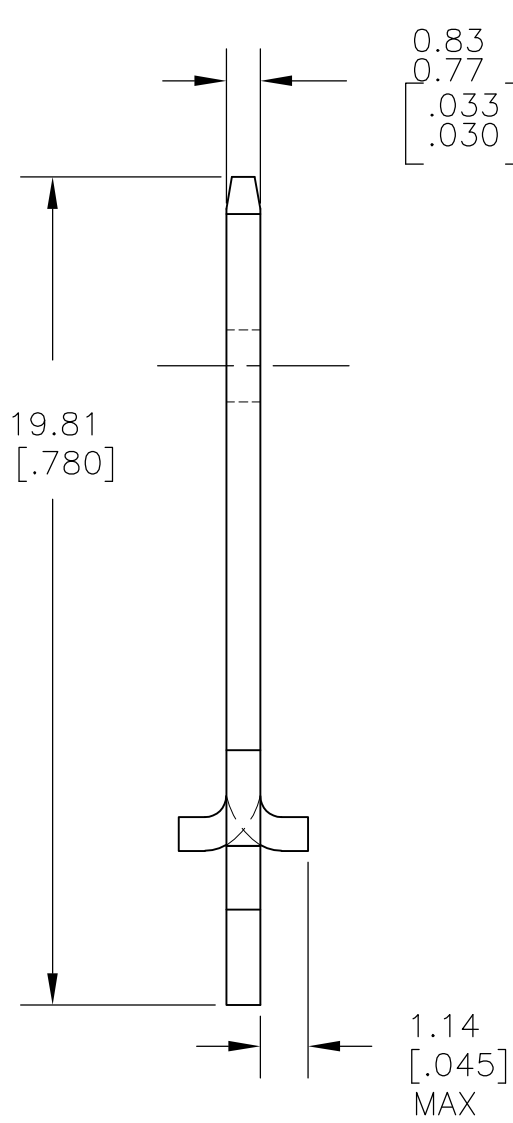
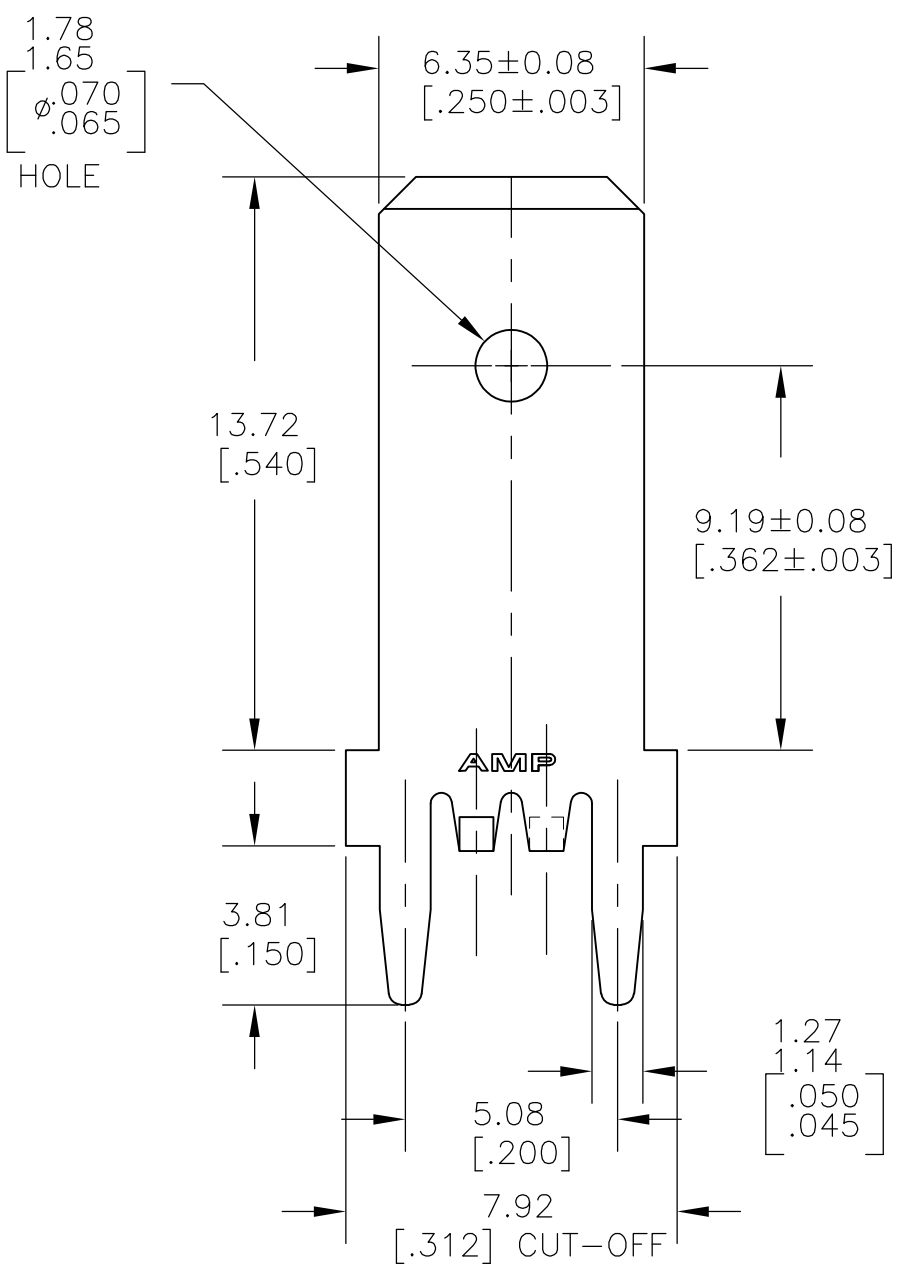
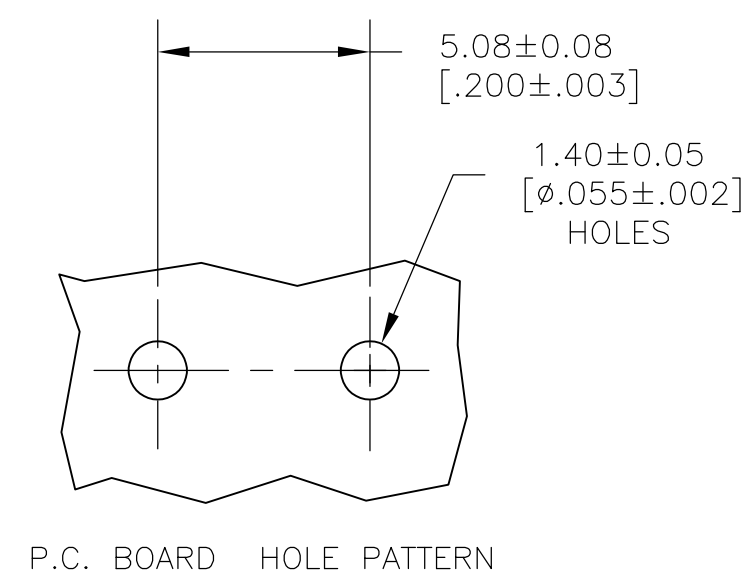


LOC	DIST	REVISIONS					
AF	50	P	LTR	DESCRIPTION	DATE	DWN	APVD
		D		REVISED PER ECR-13-001204	28JUN13	KH	PD



1 SUPPLIED IN LOOSE PIECE AFTER PLATING, BARE EDGES AT CUT-OFFS.
 2 TIN PLATE 0.00381 [.000150] MIN OVER 0.00254 [.000100] MIN THK COPPER.



1217167-1
 PART NO.

THIS DRAWING IS A CONTROLLED DOCUMENT.		DWN	JR RUTH	28MAR01	TE Connectivity NAME TAB, FASTON, P.C.BOARD 6.35 [.250]
DIMENSIONS: mm [INCHES]		CHK	MS FEHER	28MAR01	
TOLERANCES UNLESS OTHERWISE SPECIFIED:		APVD	N DEIBERT	28MAR01	
0 PLC ± - 1 PLC ± - 2 PLC ± 0.25 [.010] 3 PLC ± - 4 PLC ± - ANGLES ± -		PRODUCT SPEC	-	-	
MATERIAL	BRASS	FINISH			APPLICATION SPEC - WEIGHT - SIZE A3
CUSTOMER DRAWING					CAGE CODE 00779 DRAWING NO C-1217167 RESTRICTED TO -
				SCALE	6:1
				SHEET	1 of 1
				REV	D