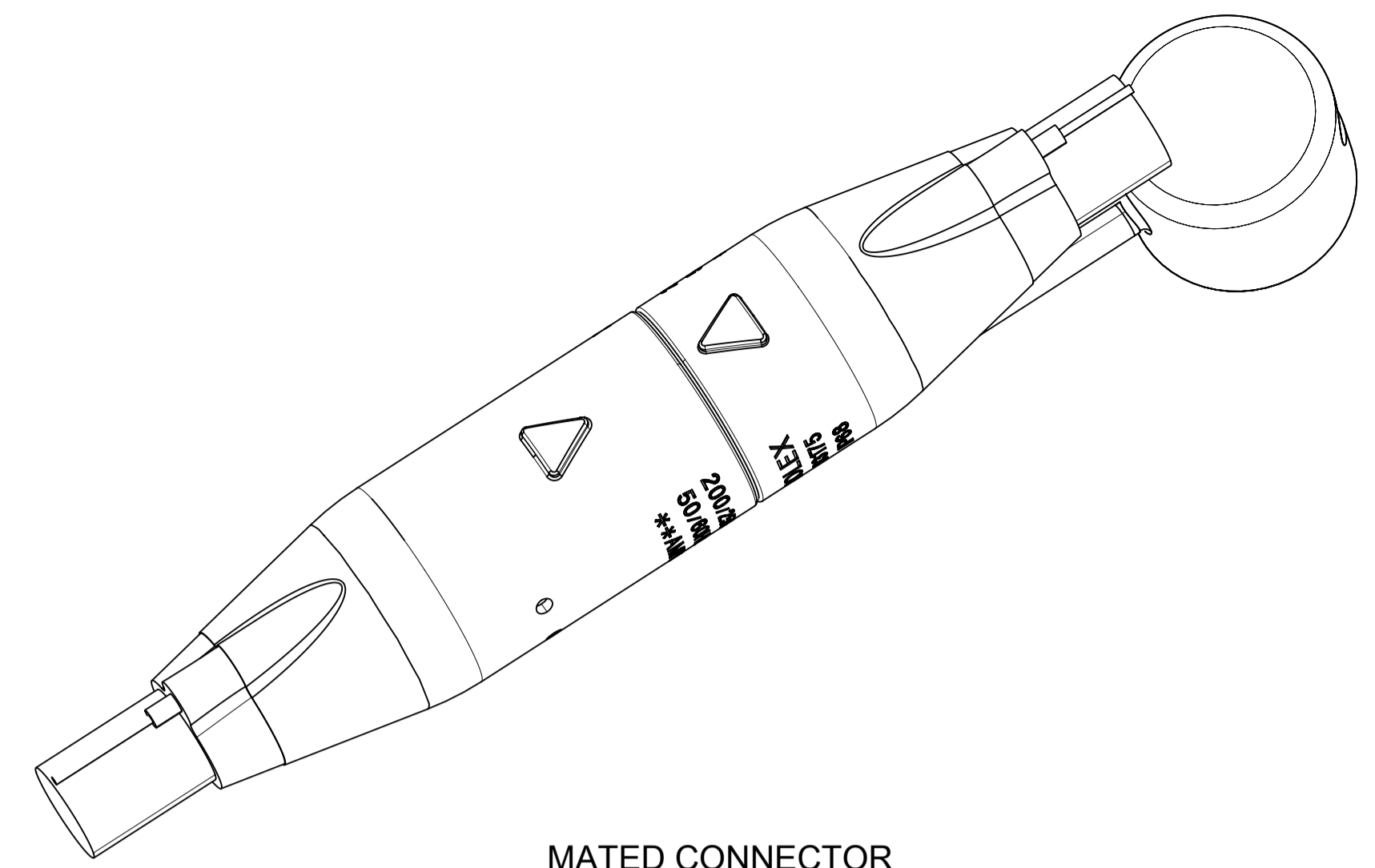
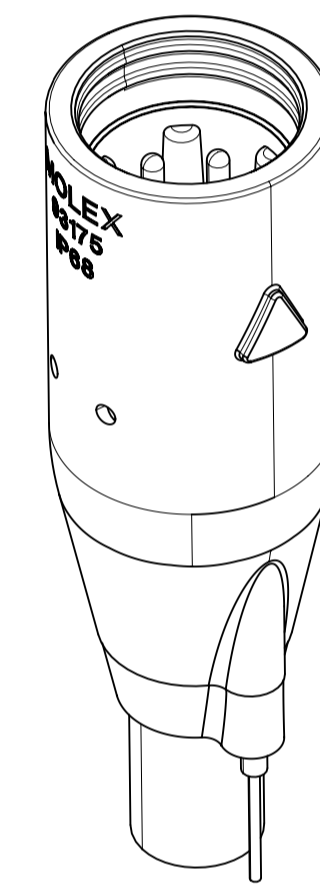
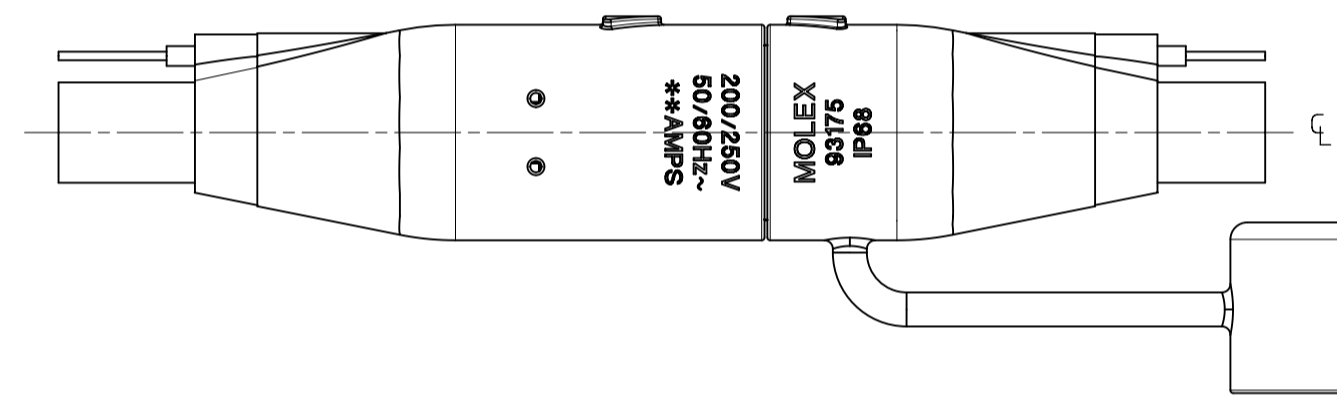
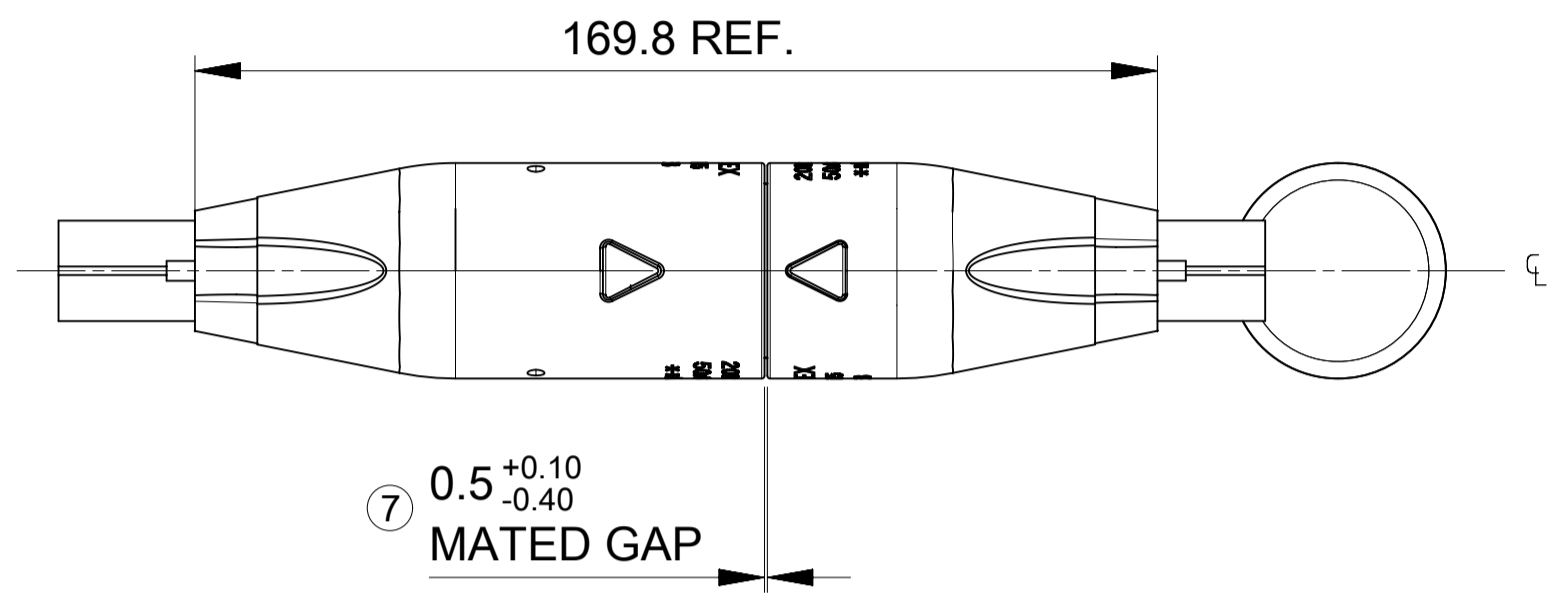


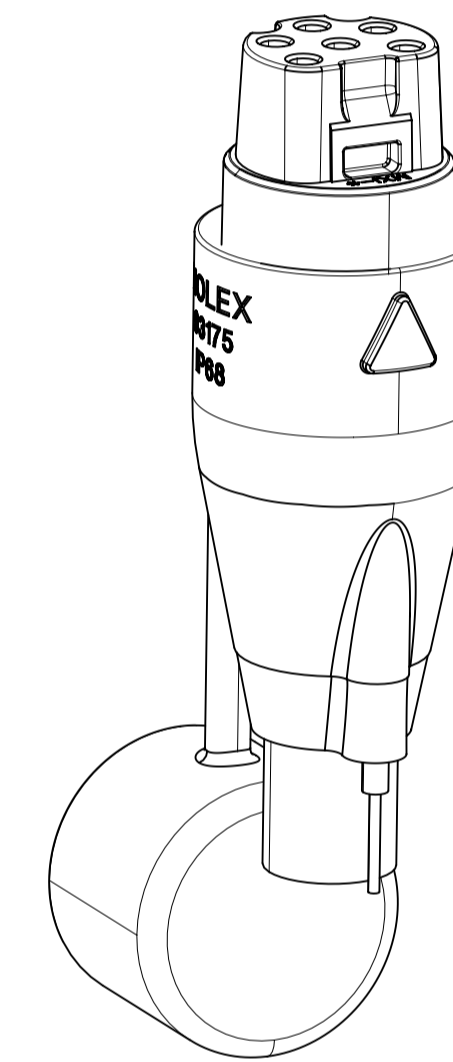
CABLE LENGTH	TOLERANCE
1 - 2 M	±65mm
2 - 5 M	±100mm
5 - 10 M	±200mm
10 - 20 M	±400mm
20 - 30 M	±600mm
30 M PLUS	+2% OF LENGTH



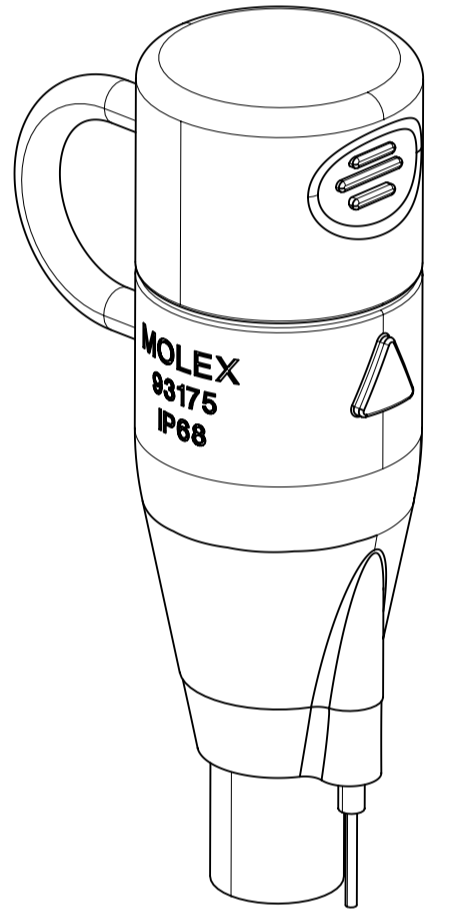
MATED CONNECTOR



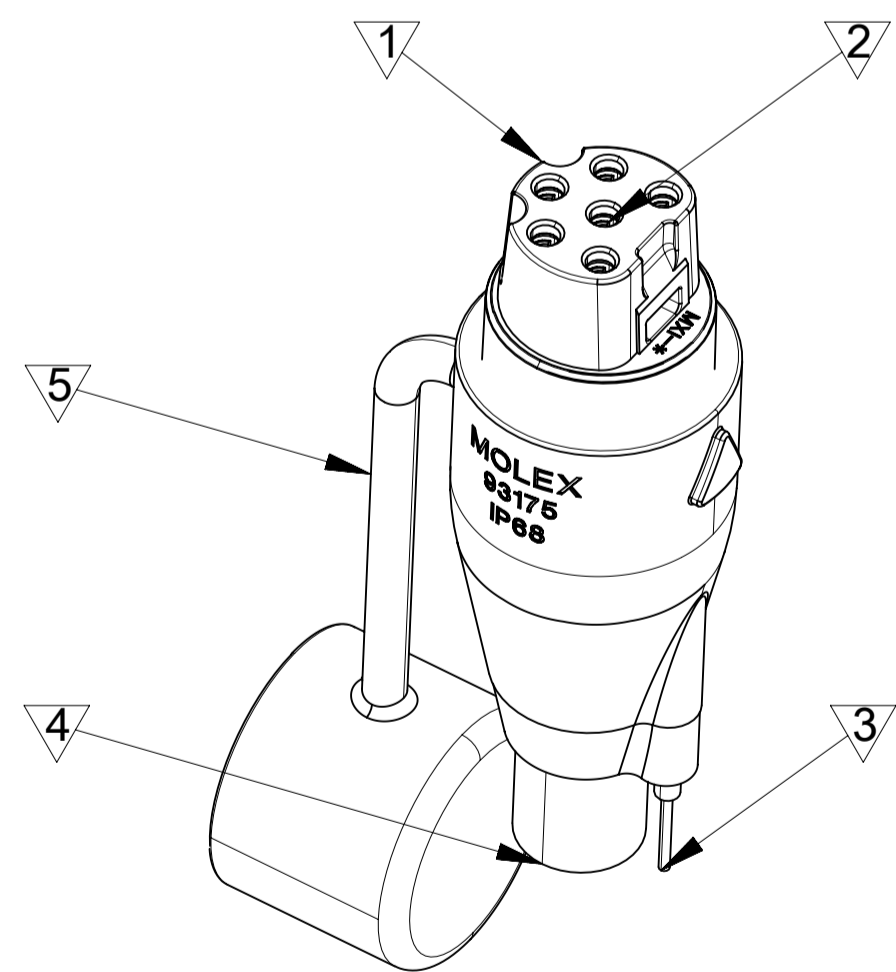
MALE CONNECTOR



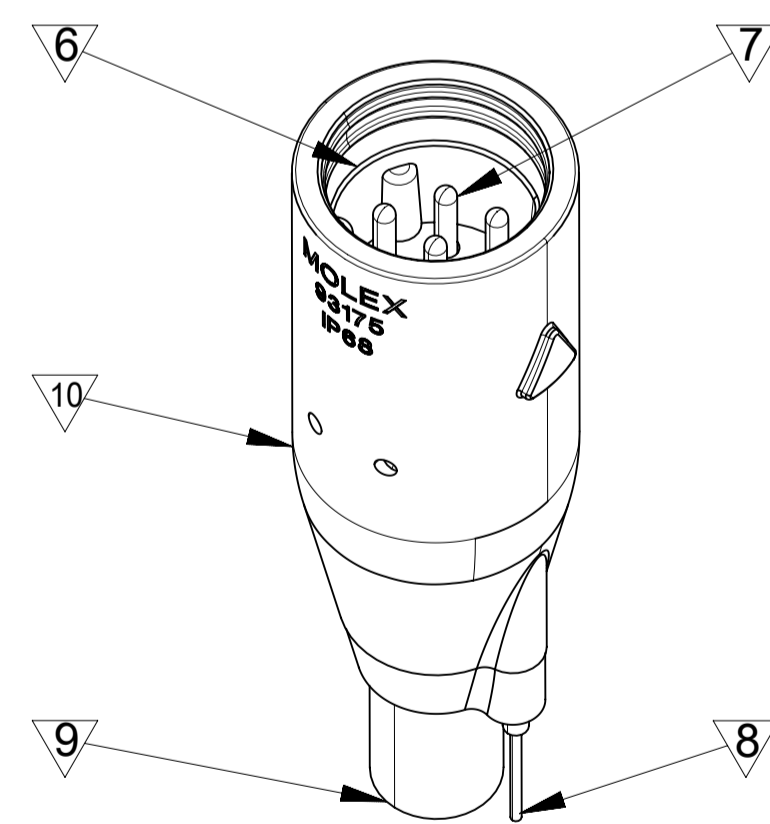
FEMALE CONNECTOR
CAP OPEN



FEMALE CONNECTOR
CAP CLOSED



FEMALE CONNECTOR BOM		
No	DESCRIPTION	MATERIAL
1	FEMALE MAIN BODY	PU
2	FEMALE TERMINAL	COPPER ALLOY
3	TETHER	BRAIDED STAINLESS STEEL
4	CABLE	SEE CABLE SPEC
5	FEMALE OVERMOLD	PU



MALE CONNECTOR BOM		
No	DESCRIPTION	MATERIAL
6	MALE MAIN BODY	PU
7	MALE TERMINAL	COPPER ALLOY
8	TETHER	BRAIDED STAINLESS STEEL
9	CABLE	SEE CABLE SPEC
10	MALE OVERMOLD	PU

NOTES:

1. MATERIAL: SEE TABLES
 2. FOR PRODUCT SPECIFICATION PLEASE SEE PS-93175-001
 3. FOR PACKAGING SPECIFICATION PLEASE SEE PK-93175-001
 4. EXTERNAL SURFACE FINISH OF THE CONNECTOR TO BE 23 VDI
 5. 6 CIRCUIT VERSION SHOWN IN ALL VIEWS,
FOR ALL OTHER CIRCUIT LAYOUTS PLEASE SEE PRODUCT SPEC
 6. ALL UNSPECIFIED TOLERANCES +/- 5 mm
 7. FOR CABLE LENGTH TOLERANCES PLEASE SEE TABLE
- INSPECTION NUMBERS 1-9 USED
LAST INSPECTION NUMBER USED 7

PART No LEGEND		
PART NO	DESCRIPTION	NOTE
931751***	MALE ARMoured	3 TO 6 CKT
931752***	MALE UN-ARMoured	3 TO 6 CKT
931753***	FEMALE ARMoured	3 TO 6 CKT
931754***	FEMALE UN-ARMoured	3 TO 6 CKT
931755***	MALE ARMoured	16 CKT
931756***	FEMALE ARMoured	16 CKT

THIS DRAWING CONTAINS INFORMATION THAT IS PROPRIETARY TO MOLEX ELECTRONIC TECHNOLOGIES, LLC AND SHOULD NOT BE USED WITHOUT WRITTEN PERMISSION

DIMENSION UNITS: mm	SCALE: 1:1.3333	CURRENT REV DESC: OBSOLETE PART NUMBER
GENERAL TOLERANCES (UNLESS SPECIFIED)		<p>EC NO: 643720 DRWN: AKUMAR19 CHK'D: GGA APPR: GGA</p> <p>INITIAL REVISION: DRWN: D MAHER APPR: EFOLAN</p>
4 PLACES ±	±	
3 PLACES ±	±	
2 PLACES ±	0.5 ±	
1 PLACE ±	1.0 ±	
0 PLACES ±	5.0 ±	<p>2020/07/02 2020/08/27 2020/08/27</p> <p>2008/10/30 2010/10/21</p>
ANGULAR TOL ±	2.0 °	<p>DOCUMENT NUMBER: SD-93175-001</p> <p>DOC TYPE: PSD</p> <p>DOC PART: 001</p> <p>REVISION: T</p>
DRAFT WHERE APPLICABLE MUST REMAIN WITHIN DIMENSIONS	THIRD ANGLE PROJECTION	<p>DRAWING: A1-SIZE</p> <p>SERIES: 93175</p> <p>MATERIAL NUMBER: SEE TABLE</p> <p>CUSTOMER: GENERAL MARKET</p> <p>SHEET NUMBER: 1 OF 5</p>



PASSIVE SAFETY CONNECTOR
ARMoured & UN-ARMoured

PRODUCT CUSTOMER DRAWING

PART NUMBER	DIM B	DIM C	DESCRIPTION
931751001	1000	1000	MALE CONNECTOR ARMoured 3 CKT
931751002	2000	2000	MALE CONNECTOR ARMoured 3 CKT
931751004	5000	5000	MALE CONNECTOR ARMoured 3 CKT
931751005	10000	10000	MALE CONNECTOR ARMoured 3 CKT
931751006	15000	10000	MALE CONNECTOR ARMoured 3 CKT

PART NUMBER	DIM B	DIM C	DESCRIPTION
931751101	1000	1000	MALE CONNECTOR ARMoured 4 CKT
931751102	2000	2000	MALE CONNECTOR ARMoured 4 CKT
931751103	3000	3000	MALE CONNECTOR ARMoured 4 CKT
931751104	5000	5000	MALE CONNECTOR ARMoured 4 CKT
931751105	10000	10000	MALE CONNECTOR ARMoured 4 CKT
931751106	15000	10000	MALE CONNECTOR ARMoured 4 CKT

PART NUMBER	DIM B	DIM C	DESCRIPTION
931751201	1000	1000	MALE CONNECTOR ARMoured 5 CKT
931751202	2000	2000	MALE CONNECTOR ARMoured 5 CKT
931751203	3000	3000	MALE CONNECTOR ARMoured 5 CKT
931751204	5000	5000	MALE CONNECTOR ARMoured 5 CKT
931751205	10000	10000	MALE CONNECTOR ARMoured 5 CKT
931751206	15000	10000	MALE CONNECTOR ARMoured 5 CKT

PART NUMBER	DIM B	DIM C	DESCRIPTION
931751301	1000	1000	MALE CONNECTOR ARMoured 6 CKT
931751302	2000	2000	MALE CONNECTOR ARMoured 6 CKT
931751303	3000	3000	MALE CONNECTOR ARMoured 6 CKT
931751304	5000	5000	MALE CONNECTOR ARMoured 6 CKT
931751305	10000	10000	MALE CONNECTOR ARMoured 6 CKT
931751306	15000	10000	MALE CONNECTOR ARMoured 6 CKT

ARMoured	
CABLE DIA DIM A	CKT
11.00	3
12.60	4
13.60	5
14.70	6

PART NUMBER	DIM B	DIM C	DESCRIPTION
931752001	1000	1000	MALE CONNECTOR UNARMoured 3 CKT
931752002	2000	2000	MALE CONNECTOR UNARMoured 3 CKT
931752003	3000	3000	MALE CONNECTOR UNARMoured 3 CKT
931752004	5000	5000	MALE CONNECTOR UNARMoured 3 CKT
931752005	10000	10000	MALE CONNECTOR UNARMoured 3 CKT
931752006	15000	10000	MALE CONNECTOR UNARMoured 3 CKT

PART NUMBER	DIM B	DIM C	DESCRIPTION
931752101	1000	1000	MALE CONNECTOR UNARMoured 4 CKT
931752102	2000	2000	MALE CONNECTOR UNARMoured 4 CKT
931752103	3000	3000	MALE CONNECTOR UNARMoured 4 CKT
931752104	5000	5000	MALE CONNECTOR UNARMoured 4 CKT
931752105	10000	10000	MALE CONNECTOR UNARMoured 4 CKT
931752106	15000	10000	MALE CONNECTOR UNARMoured 4 CKT

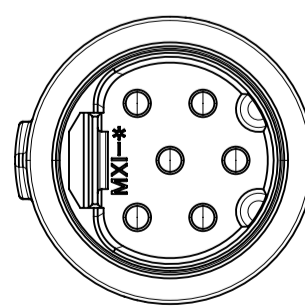
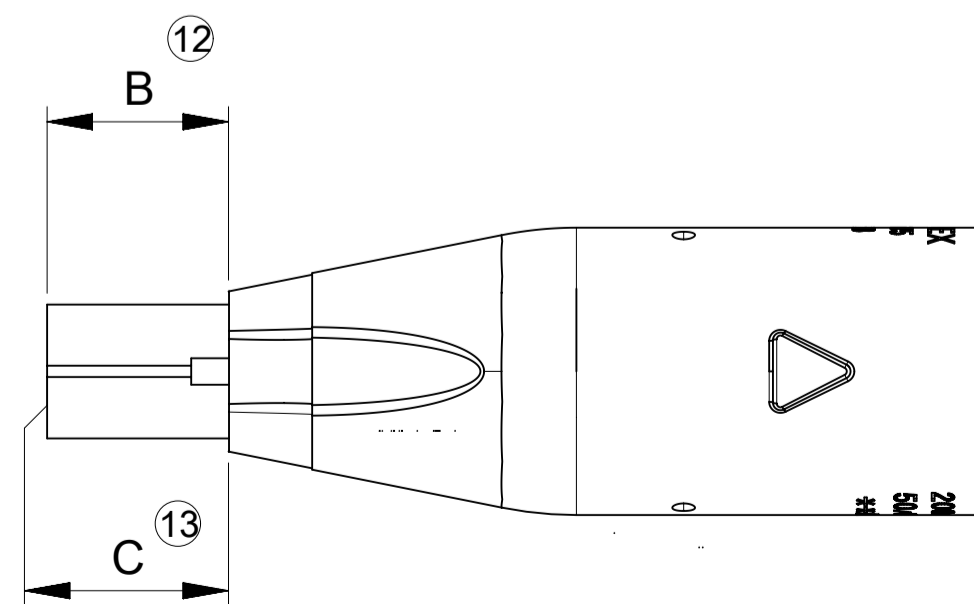
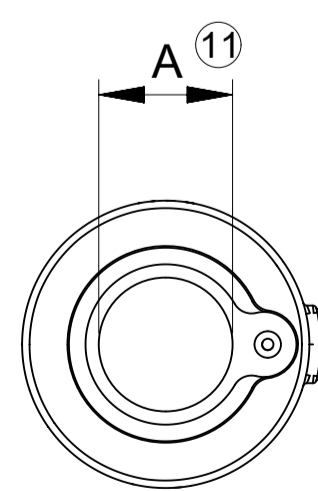
UNARMoured	
CABLE DIA DIM A	CKT
TBD	3
TBD	4
TBD	5
TBD	6

PART NUMBER	DIM B	DIM C	DESCRIPTION
931752201	1000	1000	MALE CONNECTOR UNARMoured 5 CKT
931752202	2000	2000	MALE CONNECTOR UNARMoured 5 CKT
931752203	3000	3000	MALE CONNECTOR UNARMoured 5 CKT
931752204	5000	5000	MALE CONNECTOR UNARMoured 5 CKT
931752205	10000	10000	MALE CONNECTOR UNARMoured 5 CKT
931752206	15000	10000	MALE CONNECTOR UNARMoured 5 CKT

PART NUMBER	DIM B	DIM C	DESCRIPTION
931752301	1000	1000	MALE CONNECTOR UNARMoured 6 CKT
931752302	2000	2000	MALE CONNECTOR UNARMoured 6 CKT
931752303	3000	3000	MALE CONNECTOR UNARMoured 6 CKT
931752304	5000	5000	MALE CONNECTOR UNARMoured 6 CKT
931752305	10000	10000	MALE CONNECTOR UNARMoured 6 CKT
931752306	15000	10000	MALE CONNECTOR UNARMoured 6 CKT

NOTE

- CABLE COLOR BLACK
INSPECTION NUMBERS 10 TO 19 USED
LAST INSPECTION NUMBER USED 13



THIS DRAWING CONTAINS INFORMATION THAT IS PROPRIETARY TO MOLEX ELECTRONIC TECHNOLOGIES, LLC AND SHOULD NOT BE USED WITHOUT WRITTEN PERMISSION											
DIMENSION UNITS		SCALE		CURRENT REV DESC: OBSOLETE PART NUMBER							
mm		1:1									
GENERAL TOLERANCES (UNLESS SPECIFIED)						EC NO: 643720		2020/07/02		PASSIVE SAFETY CONNECTOR ARMoured & UN-ARMoured	
		MM		INCH		DRWN: AKUMAR19		2020/08/27			
4 PLACES		±		±		CHK'D: GGA		2020/08/27		PRODUCT CUSTOMER DRAWING	
3 PLACES		±		±		APPR: GGA		2020/08/27			
2 PLACES		± 0.5		±		INITIAL REVISION:				DOCUMENT NUMBER	
1 PLACE		± 1.0		±		DRWN: D MAHER		2008/10/30		SD-93175-001	
0 PLACES		± 5.0		±		APPR: EFOLAN		2010/10/21		PSD 001 T	
ANGULAR TOL		± 2.0 °								REVISION	
DRAFT WHERE APPLICABLE MUST REMAIN WITHIN DIMENSIONS				THIRD ANGLE PROJECTION		DRAWING		SERIES		SHEET NUMBER	
						A1-SIZE		93175		2 OF 5	
						SEE TABLE		CUSTOMER		GENERAL MARKET	

PART NUMBER	DIM B	DIM C	DESCRIPTION
931753001	1000	1000	FEMALE CONNECTOR ARMOURED 3 CKT
931753002	2000	2000	FEMALE CONNECTOR ARMOURED 3 CKT
931753003	3000	3000	FEMALE CONNECTOR ARMOURED 3 CKT
931753004	5000	5000	FEMALE CONNECTOR ARMOURED 3 CKT
931753005	10000	10000	FEMALE CONNECTOR ARMOURED 3 CKT
931753006	15000	15000	FEMALE CONNECTOR ARMOURED 3 CKT
931753007	15000	20000	FEMALE CONNECTOR ARMOURED 3 CKT
931753008	15000	25000	FEMALE CONNECTOR ARMOURED 3 CKT
931753009	15000	30000	FEMALE CONNECTOR ARMOURED 3 CKT
931753010	15000	35000	FEMALE CONNECTOR ARMOURED 3 CKT
931753011	15000	40000	FEMALE CONNECTOR ARMOURED 3 CKT
931753012	15000	45000	FEMALE CONNECTOR ARMOURED 3 CKT
931753013	15000	50000	FEMALE CONNECTOR ARMOURED 3 CKT

PART NUMBER	DIM B	DIM C	DESCRIPTION
931753101	1000	1000	FEMALE CONNECTOR ARMOURED 4 CKT
931753102	2000	2000	FEMALE CONNECTOR ARMOURED 4 CKT
931753103	3000	3000	FEMALE CONNECTOR ARMOURED 4 CKT
931753104	5000	5000	FEMALE CONNECTOR ARMOURED 4 CKT
931753105	10000	10000	FEMALE CONNECTOR ARMOURED 4 CKT
931753106	15000	15000	FEMALE CONNECTOR ARMOURED 4 CKT
931753107	15000	20000	FEMALE CONNECTOR ARMOURED 4 CKT
931753108	15000	25000	FEMALE CONNECTOR ARMOURED 4 CKT
931753109	15000	30000	FEMALE CONNECTOR ARMOURED 4 CKT
931753110	15000	35000	FEMALE CONNECTOR ARMOURED 4 CKT
931753111	15000	40000	FEMALE CONNECTOR ARMOURED 4 CKT
931753112	15000	45000	FEMALE CONNECTOR ARMOURED 4 CKT
931753113	15000	50000	FEMALE CONNECTOR ARMOURED 4 CKT

PART NUMBER	DIM B	DIM C	DESCRIPTION
931753201	1000	1000	FEMALE CONNECTOR ARMOURED 5 CKT
931753202	2000	2000	FEMALE CONNECTOR ARMOURED 5 CKT
931753203	3000	3000	FEMALE CONNECTOR ARMOURED 5 CKT
931753204	5000	5000	FEMALE CONNECTOR ARMOURED 5 CKT
931753205	10000	10000	FEMALE CONNECTOR ARMOURED 5 CKT
931753206	15000	15000	FEMALE CONNECTOR ARMOURED 5 CKT
931753207	15000	20000	FEMALE CONNECTOR ARMOURED 5 CKT
931753208	15000	25000	FEMALE CONNECTOR ARMOURED 5 CKT
931753209	15000	30000	FEMALE CONNECTOR ARMOURED 5 CKT
931753210	15000	35000	FEMALE CONNECTOR ARMOURED 5 CKT
931753211	15000	40000	FEMALE CONNECTOR ARMOURED 5 CKT
931753212	15000	45000	FEMALE CONNECTOR ARMOURED 5 CKT
931753213	15000	50000	FEMALE CONNECTOR ARMOURED 5 CKT

PART NUMBER	DIM B	DIM C	DESCRIPTION
931753301	1000	1000	FEMALE CONNECTOR ARMOURED 6 CKT
931753302	2000	2000	FEMALE CONNECTOR ARMOURED 6 CKT
931753303	3000	3000	FEMALE CONNECTOR ARMOURED 6 CKT
931753304	5000	5000	FEMALE CONNECTOR ARMOURED 6 CKT
931753305	10000	10000	FEMALE CONNECTOR ARMOURED 6 CKT
931753306	15000	15000	FEMALE CONNECTOR ARMOURED 6 CKT
931753307	15000	20000	FEMALE CONNECTOR ARMOURED 6 CKT
931753308	15000	25000	FEMALE CONNECTOR ARMOURED 6 CKT
931753309	15000	30000	FEMALE CONNECTOR ARMOURED 6 CKT
931753310	15000	35000	FEMALE CONNECTOR ARMOURED 6 CKT
931753311	15000	40000	FEMALE CONNECTOR ARMOURED 6 CKT
931753312	15000	45000	FEMALE CONNECTOR ARMOURED 6 CKT
931753313	15000	50000	FEMALE CONNECTOR ARMOURED 6 CKT

ARMOURED	
CABLE DIA DIM A	CKT
11.00	3
12.60	4
13.60	5
14.70	6

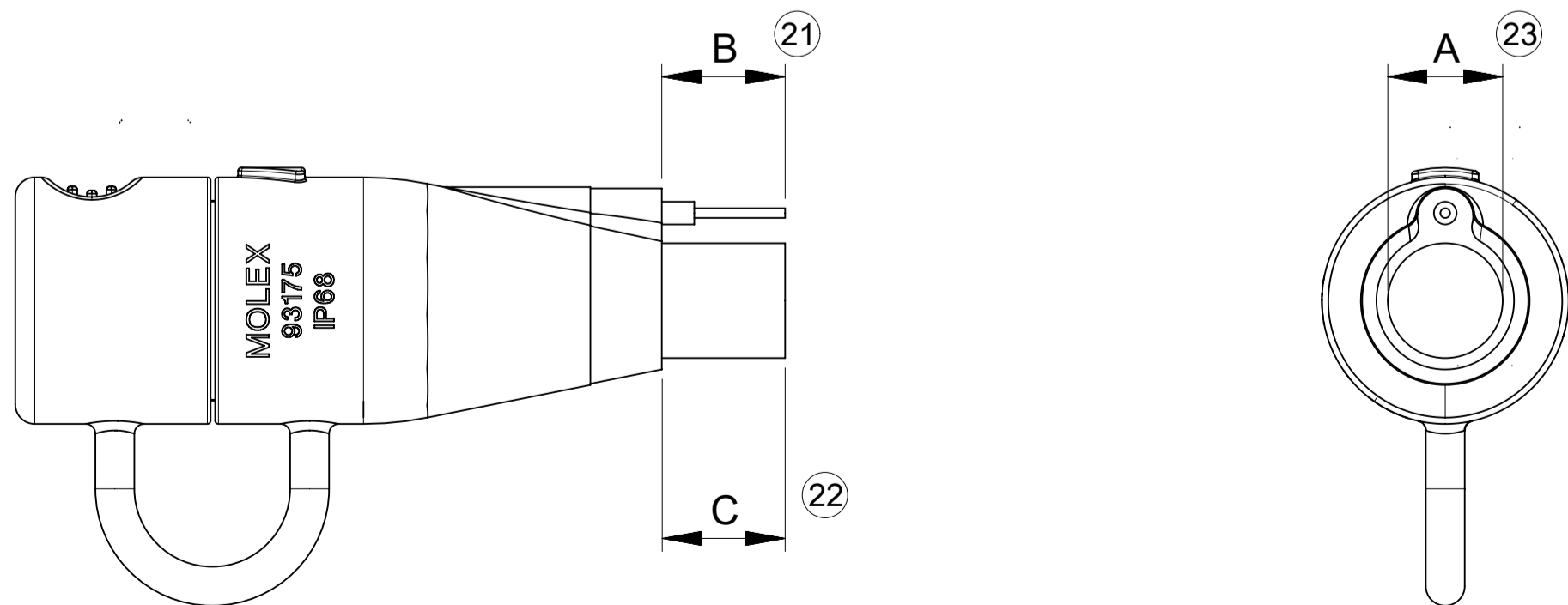
PART NUMBER	DIM B	DIM C	DESCRIPTION
931754001	1000	1000	FEMALE CONNECTOR UNARMOURED 3 CKT
931754002	2000	2000	FEMALE CONNECTOR UNARMOURED 3 CKT
931754003	3000	3000	FEMALE CONNECTOR UNARMOURED 3 CKT
931754004	5000	5000	FEMALE CONNECTOR UNARMOURED 3 CKT
931754005	10000	10000	FEMALE CONNECTOR UNARMOURED 3 CKT
931754006	15000	15000	FEMALE CONNECTOR UNARMOURED 3 CKT

PART NUMBER	DIM B	DIM C	DESCRIPTION
931754101	1000	1000	FEMALE CONNECTOR UNARMOURED 4 CKT
931754102	2000	2000	FEMALE CONNECTOR UNARMOURED 4 CKT
931754103	3000	3000	FEMALE CONNECTOR UNARMOURED 4 CKT
931754104	5000	5000	FEMALE CONNECTOR UNARMOURED 4 CKT
931754105	10000	10000	FEMALE CONNECTOR UNARMOURED 4 CKT
931754106	15000	15000	FEMALE CONNECTOR UNARMOURED 4 CKT



PART NUMBER	DIM B	DIM C	DESCRIPTION
931754201	1000	1000	FEMALE CONNECTOR UNARMOURED 5 CKT
931754202	2000	2000	FEMALE CONNECTOR UNARMOURED 5 CKT
931754203	3000	3000	FEMALE CONNECTOR UNARMOURED 5 CKT
931754204	5000	5000	FEMALE CONNECTOR UNARMOURED 5 CKT
931754205	10000	10000	FEMALE CONNECTOR UNARMOURED 5 CKT
931754206	15000	15000	FEMALE CONNECTOR UNARMOURED 5 CKT

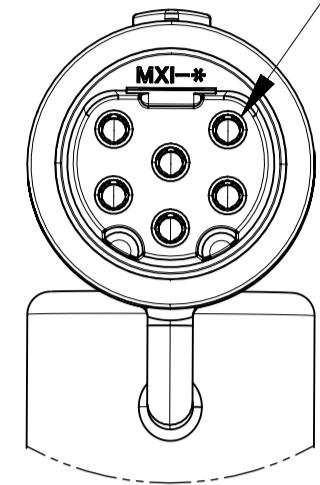
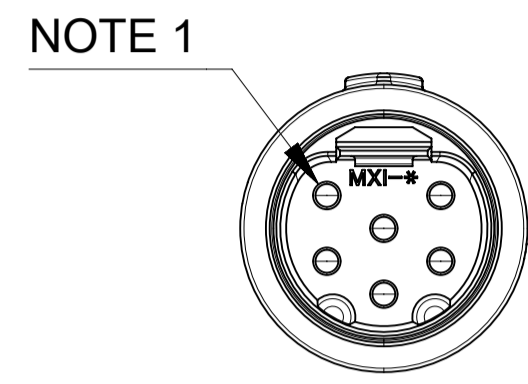
PART NUMBER	DIM B	DIM C	DESCRIPTION
931754301	1000	1000	FEMALE CONNECTOR UNARMOURED 6 CKT
931754302	2000	2000	FEMALE CONNECTOR UNARMOURED 6 CKT
931754303	3000	3000	FEMALE CONNECTOR UNARMOURED 6 CKT
931754304	5000	5000	FEMALE CONNECTOR UNARMOURED 6 CKT
931754305	10000	10000	FEMALE CONNECTOR UNARMOURED 6 CKT
931754306	15000	15000	FEMALE CONNECTOR UNARMOURED 6 CKT

UNARMOURED	
CABLE DIA DIM A	CKT
TBD	3
TBD	4
TBD	5
TBD	6

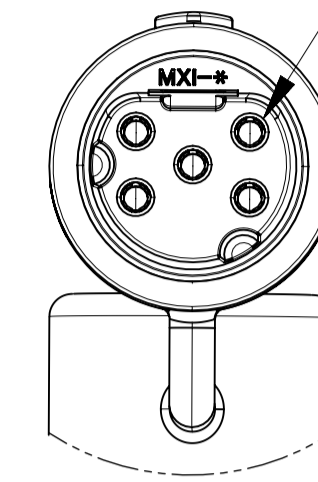
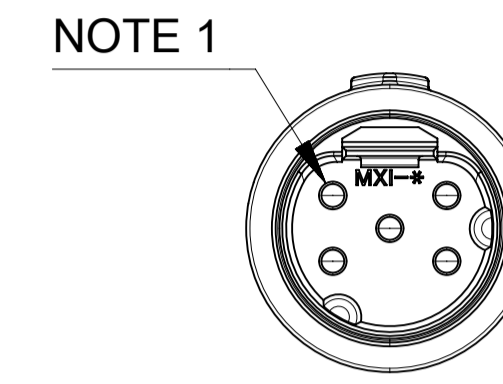


NOTE
1. CABLE COLOR BLACK
INSPECTION NUMBERS 20 TO 29 USED
LAST INSPECTION NUMBER USED 23

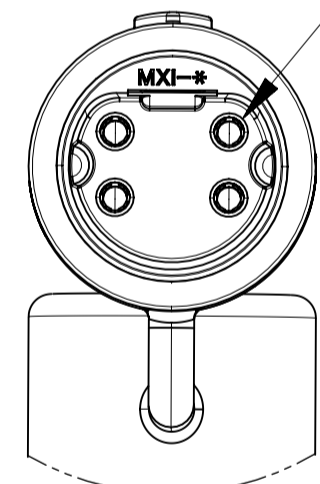
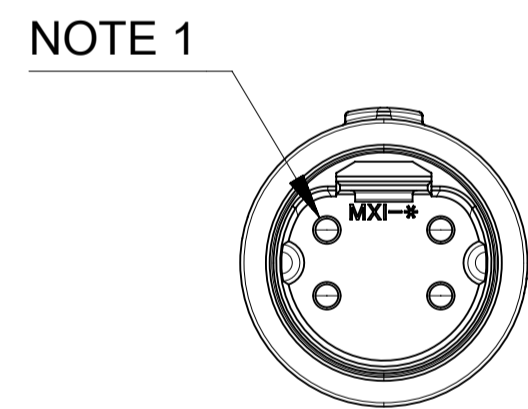
THIS DRAWING CONTAINS INFORMATION THAT IS PROPRIETARY TO MOLEX ELECTRONIC TECHNOLOGIES, LLC AND SHOULD NOT BE USED WITHOUT WRITTEN PERMISSION		CURRENT REV DESC: OBSOLETE PART NUMBER			
DIMENSION UNITS	SCALE	EC NO: 643720			
mm	1:1	DRWN: AKUMAR19		2020/07/02	
GENERAL TOLERANCES (UNLESS SPECIFIED)		CHK'D: GGA		2020/08/27	
	MM	INCH	APPR: GGA		2020/08/27
4 PLACES	±	±	INITIAL REVISION:		
3 PLACES	±	±	DRWN: D MAHER		2008/10/30
2 PLACES	±	0.5	APPR: EFOLAN		2010/10/21
1 PLACE	±	1.0	ANGULAR TOL ± 2.0°		
0 PLACES	±	5.0	DRAFT WHERE APPLICABLE MUST REMAIN WITHIN DIMENSIONS		
THIRD ANGLE PROJECTION		DRAWING		SERIES	
		A1-SIZE		93175	
MATERIAL NUMBER		CUSTOMER		SHEET NUMBER	
SEE TABLE		GENERAL MARKET		3 OF 5	



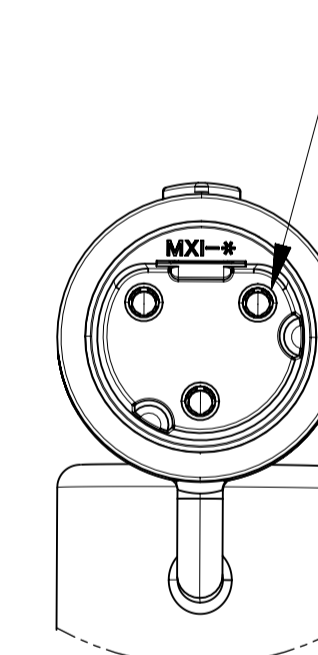
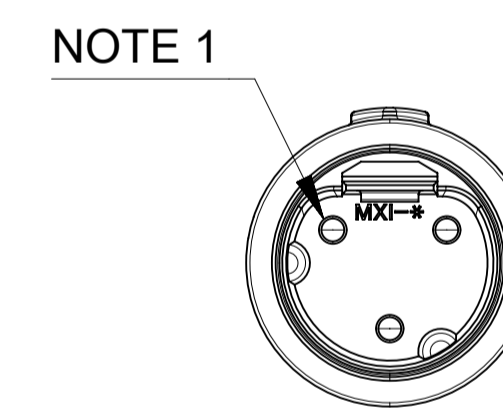
VIEW SHOWING KEYING
OF 6 CIRCUIT VERSION



VIEW SHOWING KEYING
OF 5 CIRCUIT VERSION



VIEW SHOWING KEYING
OF 4 CIRCUIT VERSION

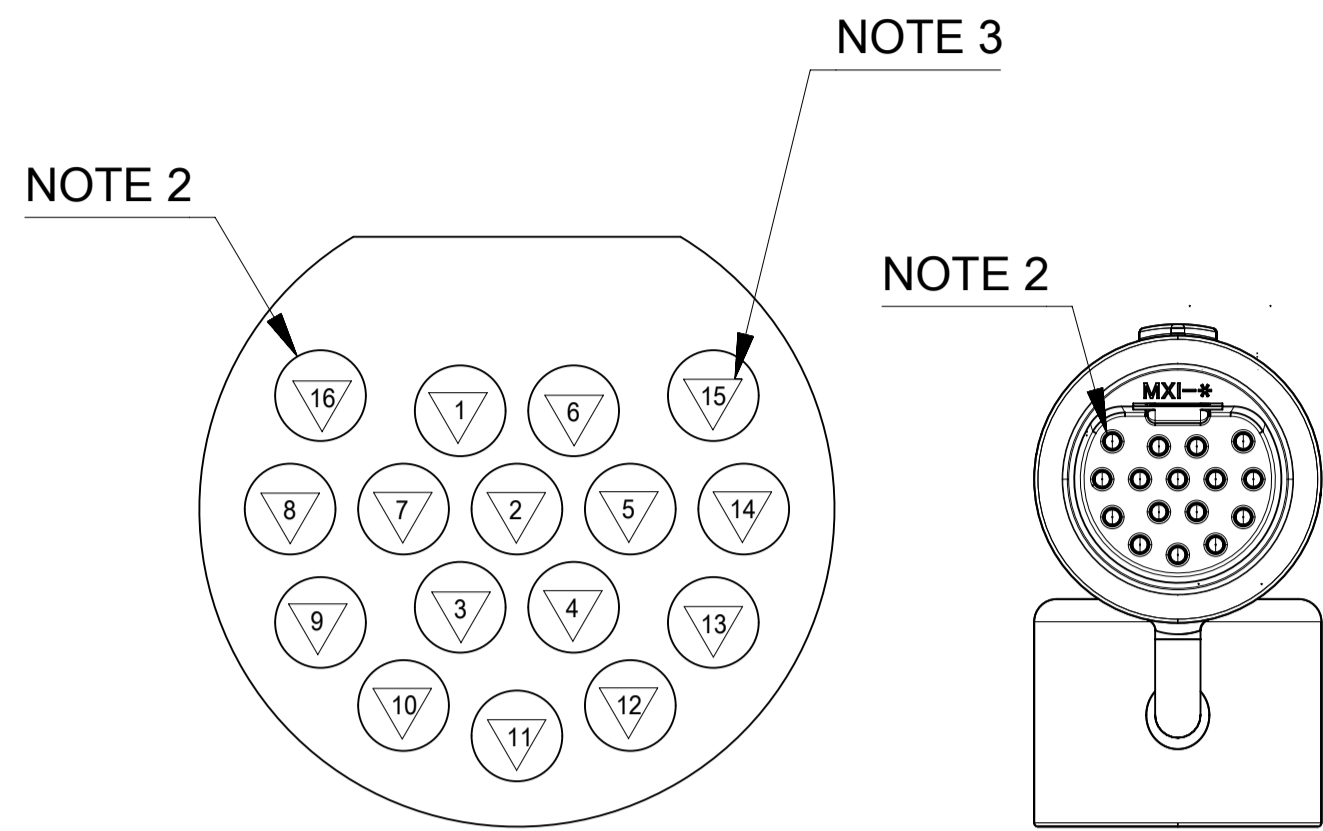


VIEW SHOWING KEYING
OF 3 CIRCUIT VERSION

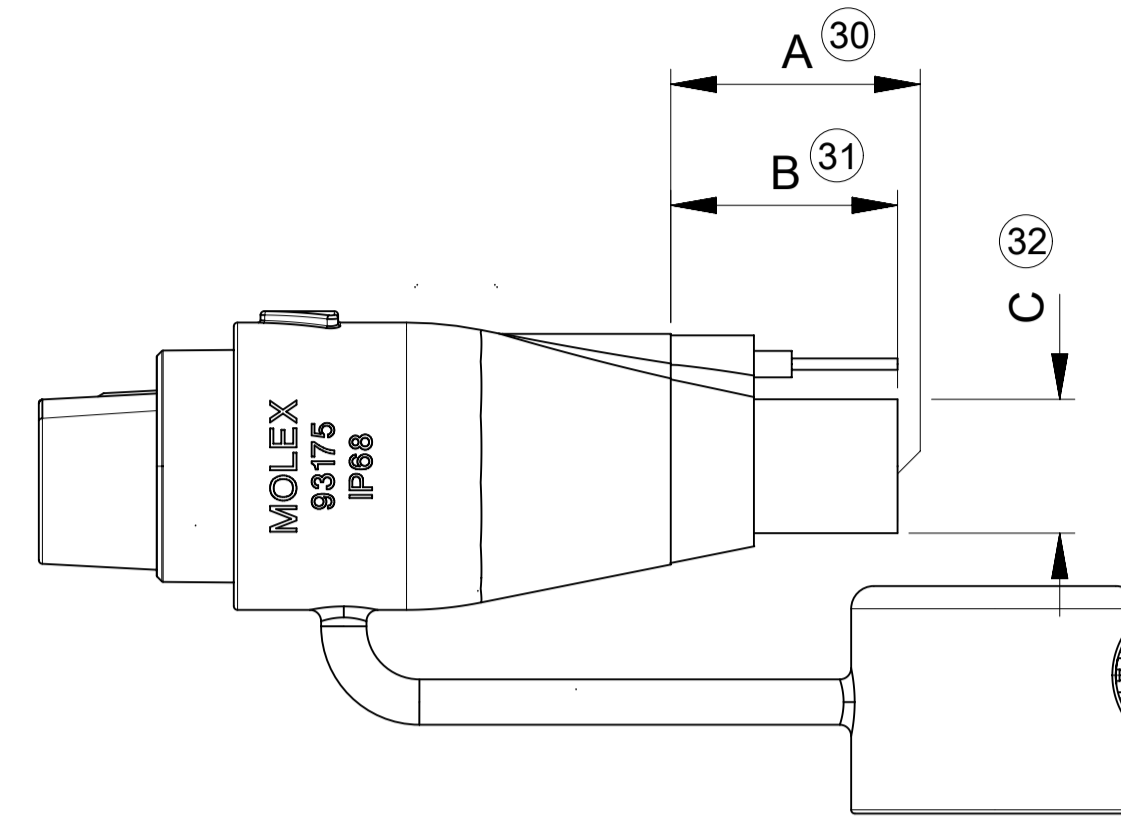
NOTES:
1. EARTH POSITION

THIS DRAWING CONTAINS INFORMATION THAT IS PROPRIETARY TO MOLEX ELECTRONIC TECHNOLOGIES, LLC AND SHOULD NOT BE USED WITHOUT WRITTEN PERMISSION									
DIMENSION UNITS		SCALE		CURRENT REV DESC: OBSOLETE PART NUMBER					
mm		1:1		molex PASSIVE SAFETY CONNECTOR ARMoured & UN-ARMoured PRODUCT CUSTOMER DRAWING					
GENERAL TOLERANCES (UNLESS SPECIFIED)									
	MM	INCH							
4 PLACES	±	±							
3 PLACES	±	±							
2 PLACES	± 0.5	±		EC NO: 643720		2020/07/02			
1 PLACE	± 1.0	±		DRWN: AKUMAR19		2020/08/27			
0 PLACES	± 5.0	±		CHK'D: GGA		2020/08/27			
ANGULAR TOL		± 2.0°		APPR: GGA		2020/08/27			
DRAFT WHERE APPLICABLE MUST REMAIN WITHIN DIMENSIONS				THIRD ANGLE PROJECTION		DRAWING		SERIES	
						A1-SIZE		93175	
				MATERIAL NUMBER		CUSTOMER		SHEET NUMBER	
				SEE TABLE		GENERAL MARKET		4 OF 5	

PIN	COLOR	COLOR
1	WHITE/ORANGE	WH/OG
2	BROWN	BN
3	BLUE	BU
4	WHITE	WH
5	RED	RD
6	BROWN/BLUE	BN/BU
7	BLACK	BK
8	BROWN/GRAY	BN/GY
9	ORANGE/GRAY	OG/GY
10	RED/BLUE	RD/BU
11	ORANGE	OG
12	GRAY	GY
13	VIOLET	VT
14	PINK	PK
15	RED/GRAY	RD/GY
16(GND)	BLACK/VIOLET+SHIELD	BK/VT+SHIELD



16 CIRCUIT WIRE LAYOUT
CONNECTOR FRONT VIEW

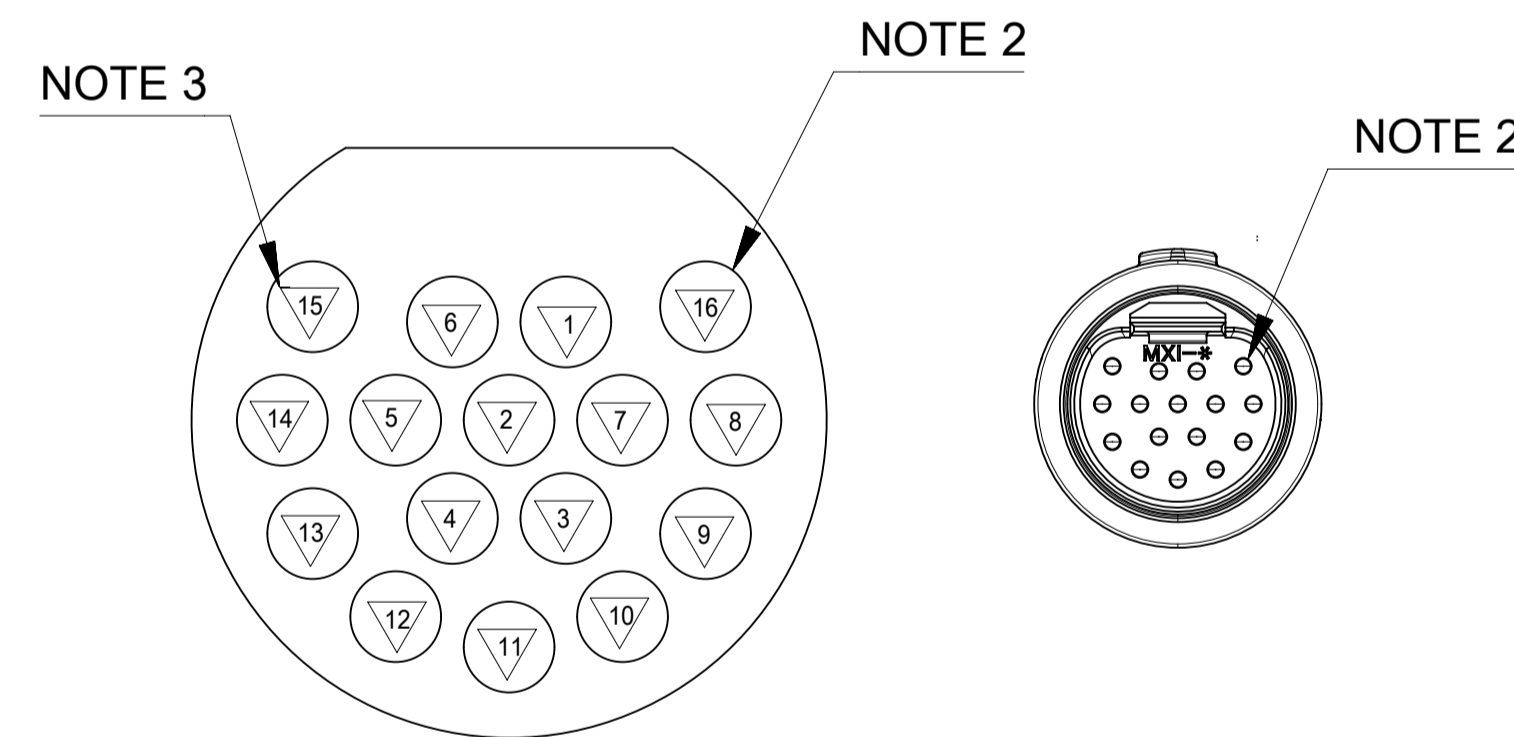


FEMALE POLE PLUG CONNECTOR
16 CIRCUIT

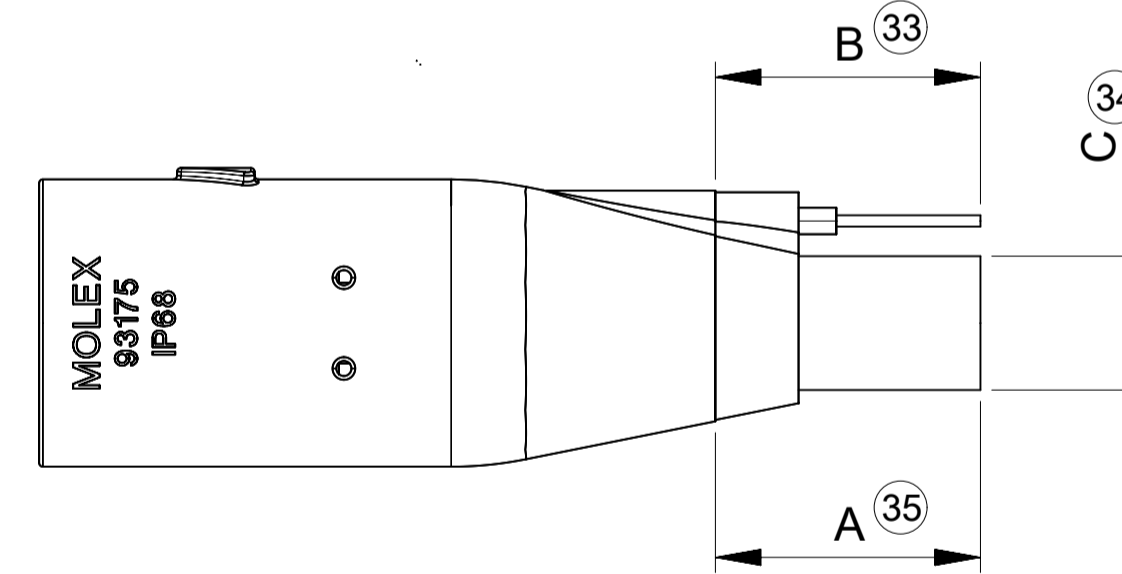
STANDARD PRODUCT				
PART NUMBER	DIM A	DIM B	DIM C	DESCRIPTION
931756001	1000	75	17.7	BLACK ARMoured 16 CKT CONNECTOR ORANGE CABLE
931756002	2000	75	17.7	BLACK ARMoured 16 CKT CONNECTOR ORANGE CABLE
931756003	3000	75	17.7	BLACK ARMoured 16 CKT CONNECTOR ORANGE CABLE
931756026	4000	75	17.7	BLACK ARMoured 16 CKT CONNECTOR ORANGE CABLE
931756004	5000	75	17.7	BLACK ARMoured 16 CKT CONNECTOR ORANGE CABLE
931756005	10000	75	17.7	BLACK ARMoured 16 CKT CONNECTOR ORANGE CABLE
931756013	15000	75	17.7	BLACK ARMoured 16 CKT CONNECTOR ORANGE CABLE
931756006	20000	75	17.7	BLACK ARMoured 16 CKT CONNECTOR ORANGE CABLE
931756014	25000	75	17.7	BLACK ARMoured 16 CKT CONNECTOR ORANGE CABLE
931756007	30000	75	17.7	BLACK ARMoured 16 CKT CONNECTOR ORANGE CABLE
931756015	35000	75	17.7	BLACK ARMoured 16 CKT CONNECTOR ORANGE CABLE
931756016	40000	75	17.7	BLACK ARMoured 16 CKT CONNECTOR ORANGE CABLE
931756017	45000	75	17.7	BLACK ARMoured 16 CKT CONNECTOR ORANGE CABLE
931756018	50000	75	17.7	BLACK ARMoured 16 CKT CONNECTOR ORANGE CABLE
931756019	5000	75	17.7	RED ARMoured 16 CKT CONNECTOR ORANGE CABLE
931756008	10000	75	17.7	RED ARMoured 16 CKT CONNECTOR ORANGE CABLE
931756020	15000	75	17.7	RED ARMoured 16 CKT CONNECTOR ORANGE CABLE
931756009	20000	75	17.7	RED ARMoured 16 CKT CONNECTOR ORANGE CABLE
931756021	25000	75	17.7	RED ARMoured 16 CKT CONNECTOR ORANGE CABLE
931756010	30000	75	17.7	RED ARMoured 16 CKT CONNECTOR ORANGE CABLE
931756022	35000	75	17.7	RED ARMoured 16 CKT CONNECTOR ORANGE CABLE
931756023	40000	75	17.7	RED ARMoured 16 CKT CONNECTOR ORANGE CABLE
931756024	45000	75	17.7	RED ARMoured 16 CKT CONNECTOR ORANGE CABLE
931756025	50000	75	17.7	RED ARMoured 16 CKT CONNECTOR ORANGE CABLE

SPECIAL BUILD				
PART NUMBER	DIM A	DIM B	DIM C	DESCRIPTION
931756011	31000	75	17.7	BLACK ARMoured 16 CKT CONNECTOR ORANGE CABLE
931756012	38000	75	17.7	BLACK ARMoured 16 CKT CONNECTOR ORANGE CABLE

PIN	COLOR	COLOR
1	WHITE/ORANGE	WH/OG
2	BROWN	BN
3	BLUE	BU
4	WHITE	WH
5	RED	RD
6	BROWN/BLUE	BN/BU
7	BLACK	BK
8	BROWN/GRAY	BN/GY
9	ORANGE/GRAY	OG/GY
10	RED/BLUE	RD/BU
11	ORANGE	OG
12	GRAY	GY
13	VIOLET	VT
14	PINK	PK
15	RED/GRAY	RD/GY
16(GND)	BLACK/VIOLET+SHIELD	BK/VT+SHIELD



16 CIRCUIT WIRE LAYOUT
CONNECTOR FRONT VIEW



MALE POLE PLUG CONNECTOR
16 CIRCUIT

PART NUMBER	DIM A	DIM B	DIM C	DESCRIPTION
931755001	1000	75	17.7	BLACK ARMoured 16 CKT CONNECTOR ORANGE CABLE
931755002	2000	75	17.7	BLACK ARMoured 16 CKT CONNECTOR ORANGE CABLE
931755003	3000	75	17.7	BLACK ARMoured 16 CKT CONNECTOR ORANGE CABLE
931755009	4000	75	17.7	BLACK ARMoured 16 CKT CONNECTOR ORANGE CABLE
931755004	5000	75	17.7	BLACK ARMoured 16 CKT CONNECTOR ORANGE CABLE
931755008	6000	75	17.7	BLACK ARMoured 16 CKT CONNECTOR ORANGE CABLE
931755005	10000	75	17.7	BLACK ARMoured 16 CKT CONNECTOR ORANGE CABLE
931755006	15000	75	17.7	BLACK ARMoured 16 CKT CONNECTOR ORANGE CABLE
931755010	1000	75	17.7	RED ARMoured 16 CKT CONNECTOR ORANGE CABLE
931755011	2000	75	17.7	RED ARMoured 16 CKT CONNECTOR ORANGE CABLE
931755012	3000	75	17.7	RED ARMoured 16 CKT CONNECTOR ORANGE CABLE
931755013	4000	75	17.7	RED ARMoured 16 CKT CONNECTOR ORANGE CABLE
931755007	5000	75	17.7	RED ARMoured 16 CKT CONNECTOR ORANGE CABLE
931755014	10000	75	17.7	RED ARMoured 16 CKT CONNECTOR ORANGE CABLE
931755015	15000	75	17.7	RED ARMoured 16 CKT CONNECTOR ORANGE CABLE

NOTES:

- FOR ALL OTHER DIMENSIONS AND SPECIFICATIONS PLEASE SEE SHEET 1
- EARTH POSITION
- ▽*NUMBERED WIRE POSITION

INSPECTION NUMBERS 30 TO 39 USED
LAST INSPECTION NUMBER USED 35

THIS DRAWING CONTAINS INFORMATION THAT IS PROPRIETARY TO MOLEX ELECTRONIC TECHNOLOGIES, LLC AND SHOULD NOT BE USED WITHOUT WRITTEN PERMISSION			
DIMENSION UNITS	SCALE	CURRENT REV DESC: OBSOLETE PART NUMBER	
mm	1:1	<p>PASSIVE SAFETY CONNECTOR ARMoured & UN-ARMoured</p> <p>PRODUCT CUSTOMER DRAWING</p>	
GENERAL TOLERANCES (UNLESS SPECIFIED)			
	MM INCH		
4 PLACES ±	±		
3 PLACES ±	±		
2 PLACES ±	0.5 ±	EC NO: 643720	2020/07/02
1 PLACE ±	1.0 ±	DRWN: AKUMAR19	2020/08/27
0 PLACES ±	5.0 ±	CHK'D: GGA	2020/08/27
ANGULAR TOL ±	2.0 °	APPR: GGA	2020/08/27
DRAFT WHERE APPLICABLE MUST REMAIN WITHIN DIMENSIONS		INITIAL REVISION:	
THIRD ANGLE PROJECTION		DRWN: D MAHER	2008/10/30
DRAWING		APPR: EFOLAN	2010/10/21
A1-SIZE		SERIES	93175
MATERIAL NUMBER		CUSTOMER	SEE TABLE
SHEET NUMBER		GENERAL MARKET	
5 OF 5			