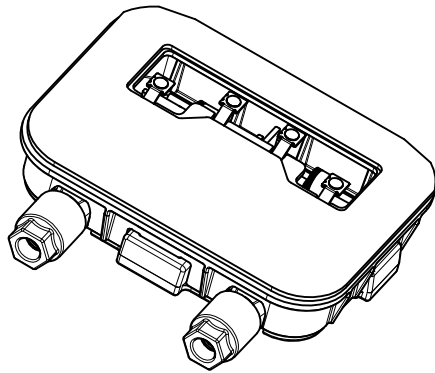
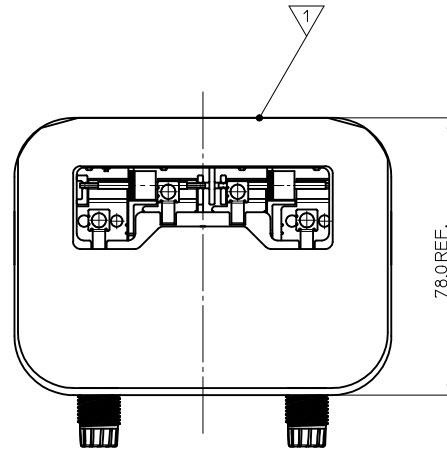


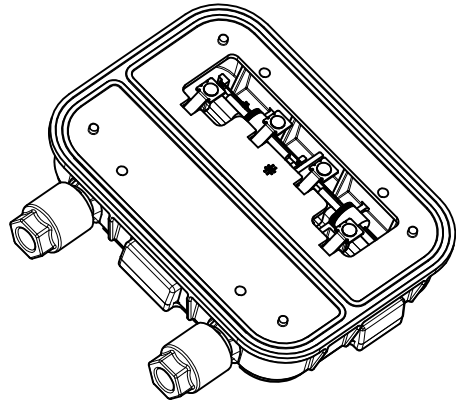
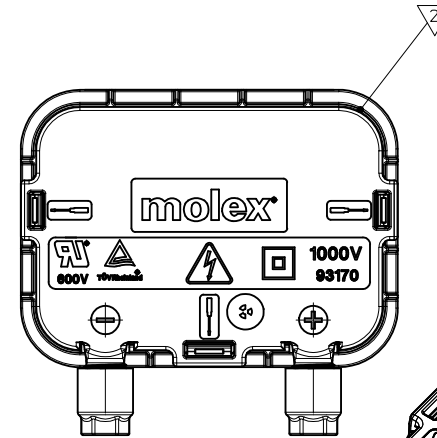
ITEM	DESCRIPTION	QTY	SHEETS
1	PANEL ASSEMBLY	1	2,3,5 & 6
2	COVER ASSEMBLY	1	4,5 & 6



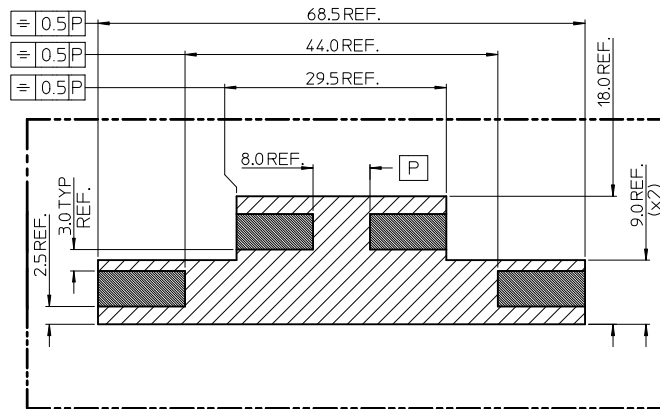
TAPE VERSION



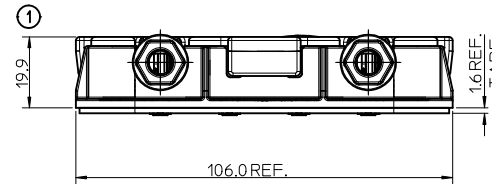
78.0 REF.



SILICONE VERSION



SUGGESTION FOR LAMINATE CUT-OUT & RIBBON POSITIONS (CUSTOMER CAN DECIDE BASED ON CAPABILITY)



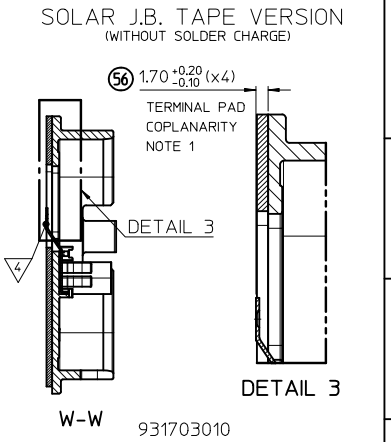
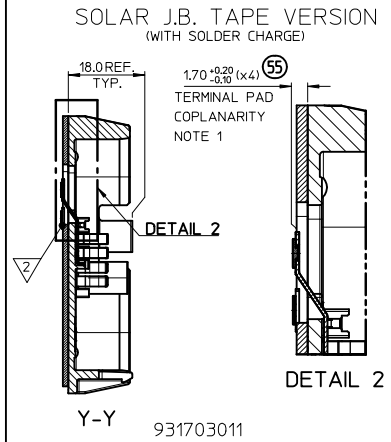
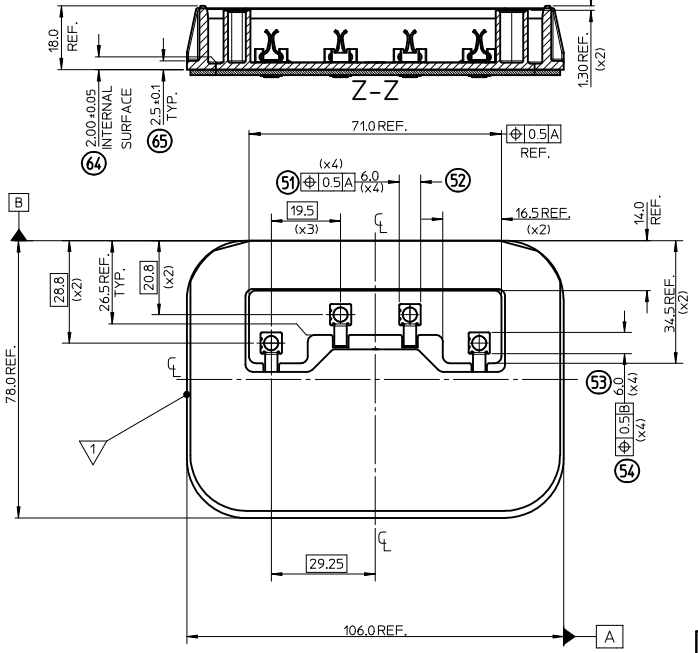
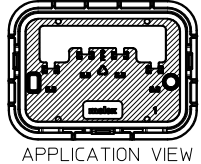
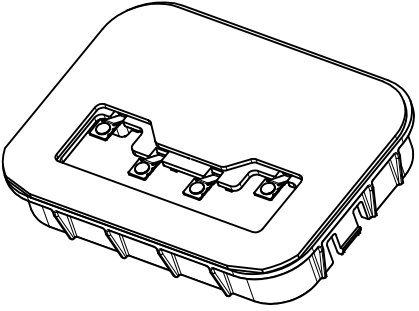
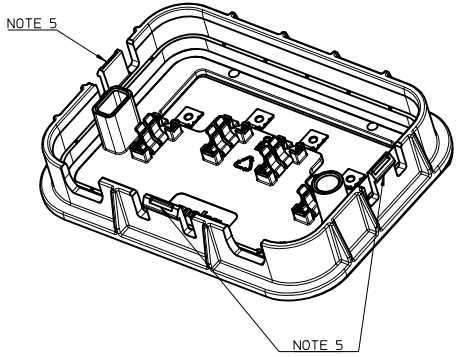
NOTES:

1. HOUSING MATERIAL: PPO, COLOUR BLACK
2. TERMINAL MATERIALS: COPPER ALLOY
3. TERMINAL PLATING: Ag AND Ni
4. IP RATING: 65
5. WITHSTAND VOLTAGE: 1000V
6. CURRENT RATING: 9A
7. TEMPERATURE RANGE: -40°C TO 85°C
8. FOR CURRENT & VOLTAGE RATINGS SEE PRODUCT SPECIFICATION: PS-93170-001
9. SEE SD-93170-050 FOR FULL ASSEMBLY WITH CABLE OPTIONS

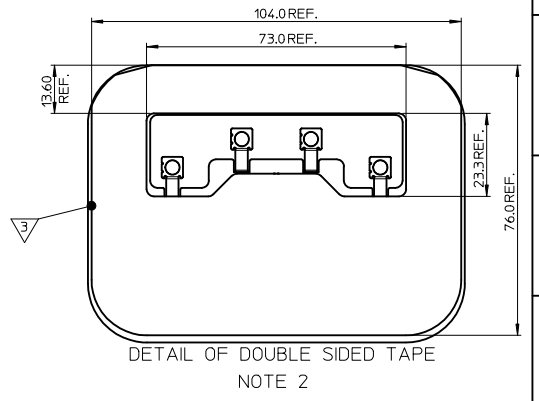
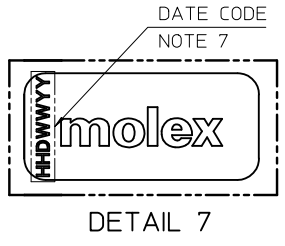
INSPECTION NUMBERS RESERVED FOR SHEET 1: 1-50
LAST INSPECTION NUMBER USED: 1

UPDATED TAPE EC NO: E2011-0070 DRAWN: JOCONNOR 2010/08/16 CHKD: 2010/08/31 APPR: EFOLAN 2010/08/31	DESCRIPTION REV	QUALITY SYMBOLS ▽=0 ▽=0	GENERAL TOLERANCES (UNLESS SPECIFIED)		DIMENSION STYLE MM ONLY		SCALE 2:1	DESIGN UNITS METRIC	THIRD ANGLE PROJECTION	
		4 PLACES ± --- ± --- 3 PLACES ± --- ± --- 2 PLACES ± 0.10 ± --- 1 PLACE ± 0.2 ± ---	mm INCH ± --- ± --- ± 0.10 ± --- ± 0.2 ± ---	DRAWN BY MSHANAHAN	DATE 2008/7/11	TITLE JUNCTION BOX FOR P.V. SOLAR PANEL SOLARSPEC (TM)				
		DRAFT WHERE APPLICABLE MUST REMAIN WITHIN DIMENSIONS		CHECKED BY SMCGREEVY	DATE 2008/7/11	APPROVED BY EFOLAN		DATE 2010/03/31	MOLEX INCORPORATED	
		MATERIAL NO. SHTS 2,3 & 4		DOCUMENT NO. SD-93170-001		SHEET NO. NIL OF 6				

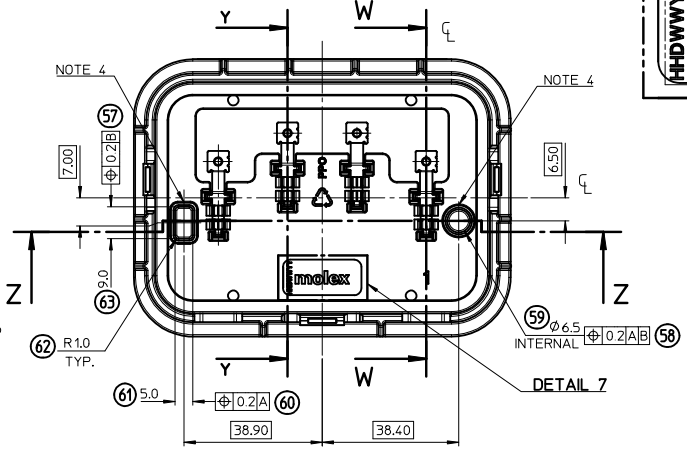
THIS DRAWING CONTAINS INFORMATION THAT IS PROPRIETARY TO MOLEX INCORPORATED AND SHOULD NOT BE USED WITHOUT WRITTEN PERMISSION



ITEM	DESCRIPTION	QTY	ITEM	DESCRIPTION	QTY
▽	HOUSING	1	▽	HOUSING	1
▽	PANEL TERM W/ SLDR CHARGE	4	▽	PANEL TERM PLATED	4
▽	DOUBLE-SIDED TAPE	1	▽	DOUBLE-SIDED TAPE	1

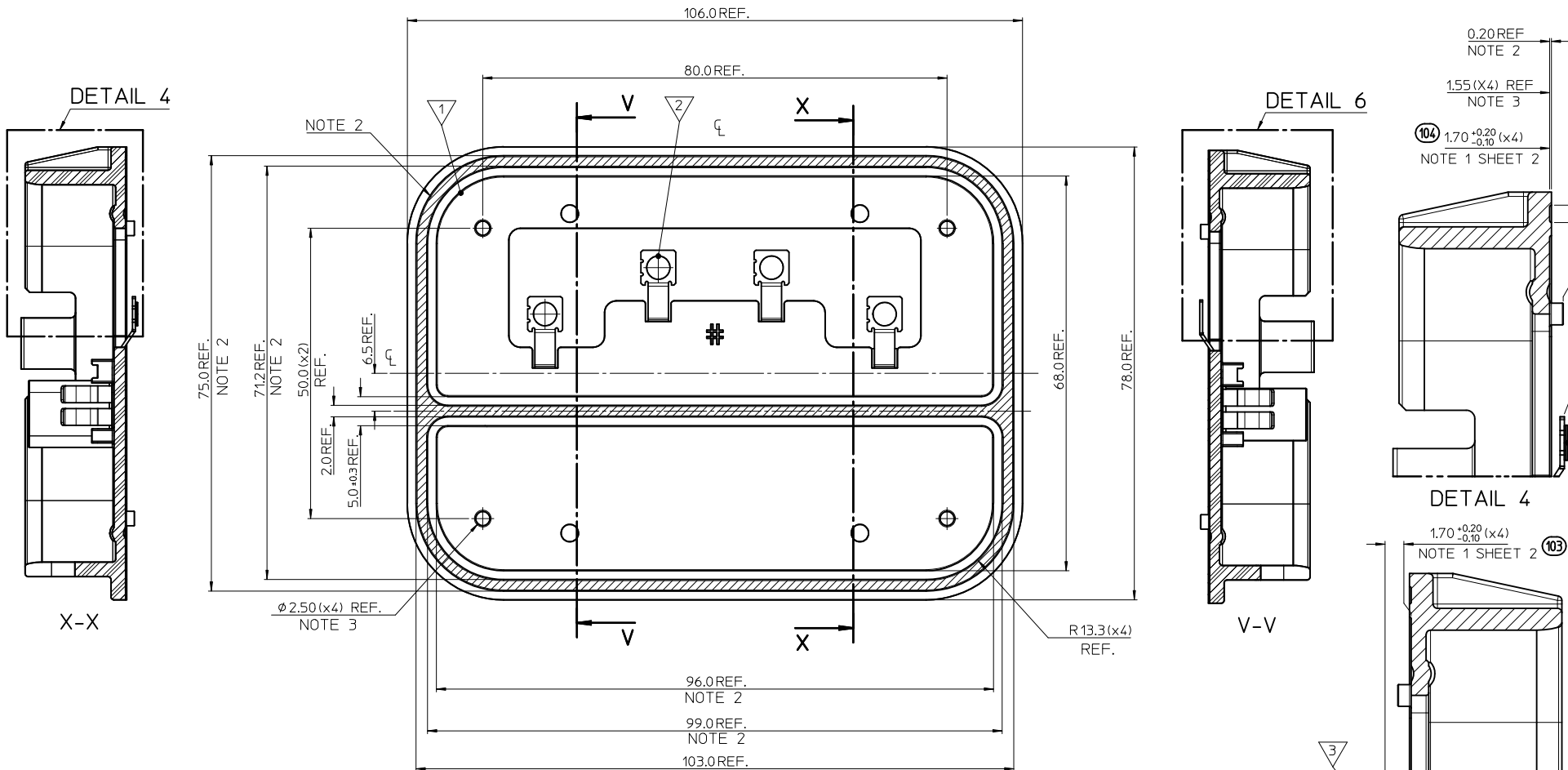


- NOTES:
- PANEL ASSEMBLY TERMINALS COME WITH OR WITHOUT SOLDER (SEE SHEET 6 FOR OPTIONS). ALL TERMINALS MEASURED BY DISTANCE FROM TERMINAL PAD TO HOUSING. TERMINAL PAD SHOULD BE BELOW LEVEL OF DOUBLE SIDED TAPE. SOLDER CHARGE PRE-TREATED WITH FLUX.
 - DOUBLE-SIDED TAPE FOR ADHESION TO PANEL, WINDOW FOR TERMINALS WILL BE CLOSED WITH EXISTING CARRIER TAPE.
 - APPLY 10-15N/cm² (15-22psi) PRESSURE TO ENSURE CORRECT ADHESION. PRESSURE TO BE APPLIED TO INNER SURFACE OF PANEL HOUSING (SEE HATCHED AREA IN APPLICATION VIEW).
 - ALIGNMENT FEATURES FOR GUIDING APPLICATION TOOLING (PRESS TOOL AND SOLDERING TOOL).
 - LATCHES FOR RETENTION OF COVER ASSEMBLY.
 - ALL DIMENSIONS OTHER THAN FOR TAPE, APPLY TO SILICONE VERSIONS ALSO (SEE SHEET 3).
 - (66) PANEL ASSEMBLY PARTS MARKED WITH DATE CODE AS SHOWN, AT TIME OF MANUFACTURE. SEE SHEET 6 FOR DETAILS.



INSPECTION NUMBERS RESERVED FOR SHEET 2: 51-100
LAST INSPECTION NUMBER USED: 66

SEE SHEET 1 EC NO: E2011-0070 DRAWN: JOCANNOR 2010/08/16 CHKD: 2010/08/31 APPR: EFO LAN 2010/08/31	QUALITY SYMBOLS ▽=0 ▽=0	GENERAL TOLERANCES (UNLESS SPECIFIED)		DIMENSION STYLE MM ONLY		SCALE 2:1	DESIGN UNITS METRIC	THIRD ANGLE PROJECTION		
		4 PLACES ± --- ± ---	mm INCH	DRAWN BY MSHANAHAN	DATE 2008/7/11	TITLE JUNCTION BOX FOR P.V. SOLAR PANEL SOLARSPEC (TM)				
		3 PLACES ± --- ± ---	± 0.10 ± ---	CHECKED BY SMCGREEVY	DATE 2008/7/11	MOLEX INCORPORATED				
		2 PLACES ± 0.2 ± ---	± 0.2 ± ---	APPROVED BY EFO LAN	DATE 2010/03/31	MATERIAL NO. 93170301*				
DRAFT WHERE APPLICABLE MUST REMAIN WITHIN DIMENSIONS		ANGULAR ± 2 °		SHEET NO. SD-93170-001		DOCUMENT NO.		NIL OF 6		
THIS DRAWING CONTAINS INFORMATION THAT IS PROPRIETARY TO MOLEX INCORPORATED AND SHOULD NOT BE USED WITHOUT WRITTEN PERMISSION										

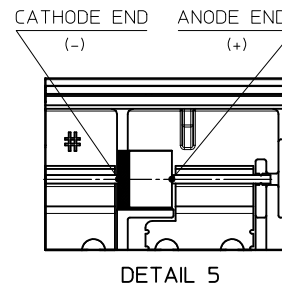
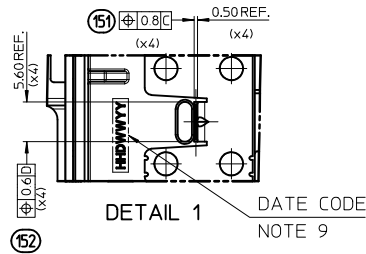
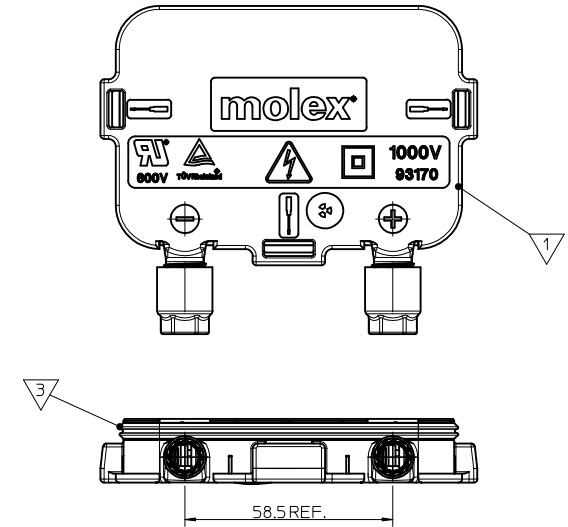
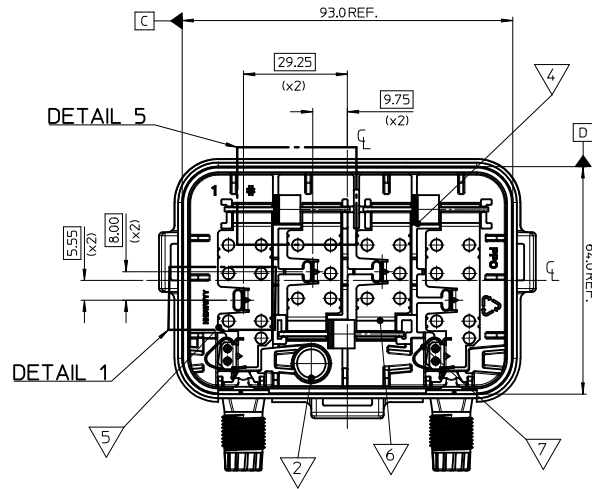
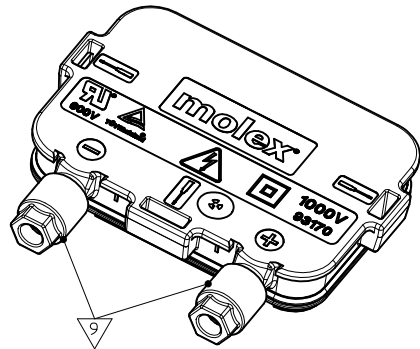
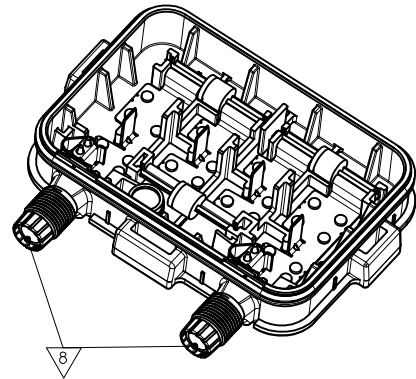


- NOTES:
1. DIMENSIONS APPLY TO SILICONE VERSIONS OF PANEL ASSEMBLIES ONLY.
ALL OTHER DIMENSIONS SEE SHEETS 1 & 2
 2. HATCHED AREA SHOWS DETAIL OF GROOVE FOR SILICONE APPLICATION.
GROOVE WALLS RAISED 0.2mm FROM BOTTOM SURFACE OF HOUSING TO MAINTAIN PLASTIC THICKNESS OF 2mm.
 3. 4x STAND-OFFS TO GIVE SAME TERMINAL HEIGHTS AS FOR TAPE VERSIONS.

INSPECTION NUMBERS RESERVED FOR SHEET 3: 101-150
 DELETED INSPECTION NUMBER: 101,102
 LAST INSPECTION NUMBER USED: 104

SOLAR J.B SILICONE VERSIONS WITH SOLDER CHARGE 931703001			SOLAR J.B SILICONE VERSIONS WITHOUT SOLDER CHARGE 931703000		
ITEM	DESCRIPTION	QTY	ITEM	DESCRIPTION	QTY
▽	HOUSING	1	▽	HOUSING	1
▽	PANEL TERM W/ SLDR CHARGE	4	▽	PANEL TERM PLATED	4

SEE SHEET 1 EC NO: E2011-0070 DRAWN: J O'CONNOR 2010/08/16 CHKD: 2010/08/31 APPR: EFOLAN 2010/08/31	QUALITY SYMBOLS ▽=0 ▽=0	GENERAL TOLERANCES (UNLESS SPECIFIED) <table border="1"> <tr> <th></th> <th>mm</th> <th>INCH</th> </tr> <tr> <td>4 PLACES</td> <td>± ---</td> <td>± ---</td> </tr> <tr> <td>3 PLACES</td> <td>± ---</td> <td>± ---</td> </tr> <tr> <td>2 PLACES</td> <td>± 0.10</td> <td>± ---</td> </tr> <tr> <td>1 PLACE</td> <td>± 0.2</td> <td>± ---</td> </tr> <tr> <td colspan="3">ANGULAR ± 2 °</td> </tr> </table>		mm	INCH	4 PLACES	± ---	± ---	3 PLACES	± ---	± ---	2 PLACES	± 0.10	± ---	1 PLACE	± 0.2	± ---	ANGULAR ± 2 °			DIMENSION STYLE MM ONLY	SCALE 2:1	DESIGN UNITS METRIC	THIRD ANGLE PROJECTION
		mm	INCH																					
	4 PLACES	± ---	± ---																					
	3 PLACES	± ---	± ---																					
2 PLACES	± 0.10	± ---																						
1 PLACE	± 0.2	± ---																						
ANGULAR ± 2 °																								
DRAWN BY MSHANAHAN 2008/7/11	DATE 2008/7/11	CHECKED BY SMCREEVY 2008/7/11	DATE 2008/7/11	JUNCTION BOX FOR P.V. SOLAR PANEL SOLARSPEC (TM) MOLEX INCORPORATED																				
APPROVED BY EFOLAN 2010/03/31	DATE 2010/03/31	MATERIAL NO. 93170300*	DOCUMENT NO. SD-93170-001				SHEET NO. NIL OF 6																	
DRAFT WHERE APPLICABLE MUST REMAIN WITHIN DIMENSIONS		THIS DRAWING CONTAINS INFORMATION THAT IS PROPRIETARY TO MOLEX INCORPORATED AND SHOULD NOT BE USED WITHOUT WRITTEN PERMISSION																						

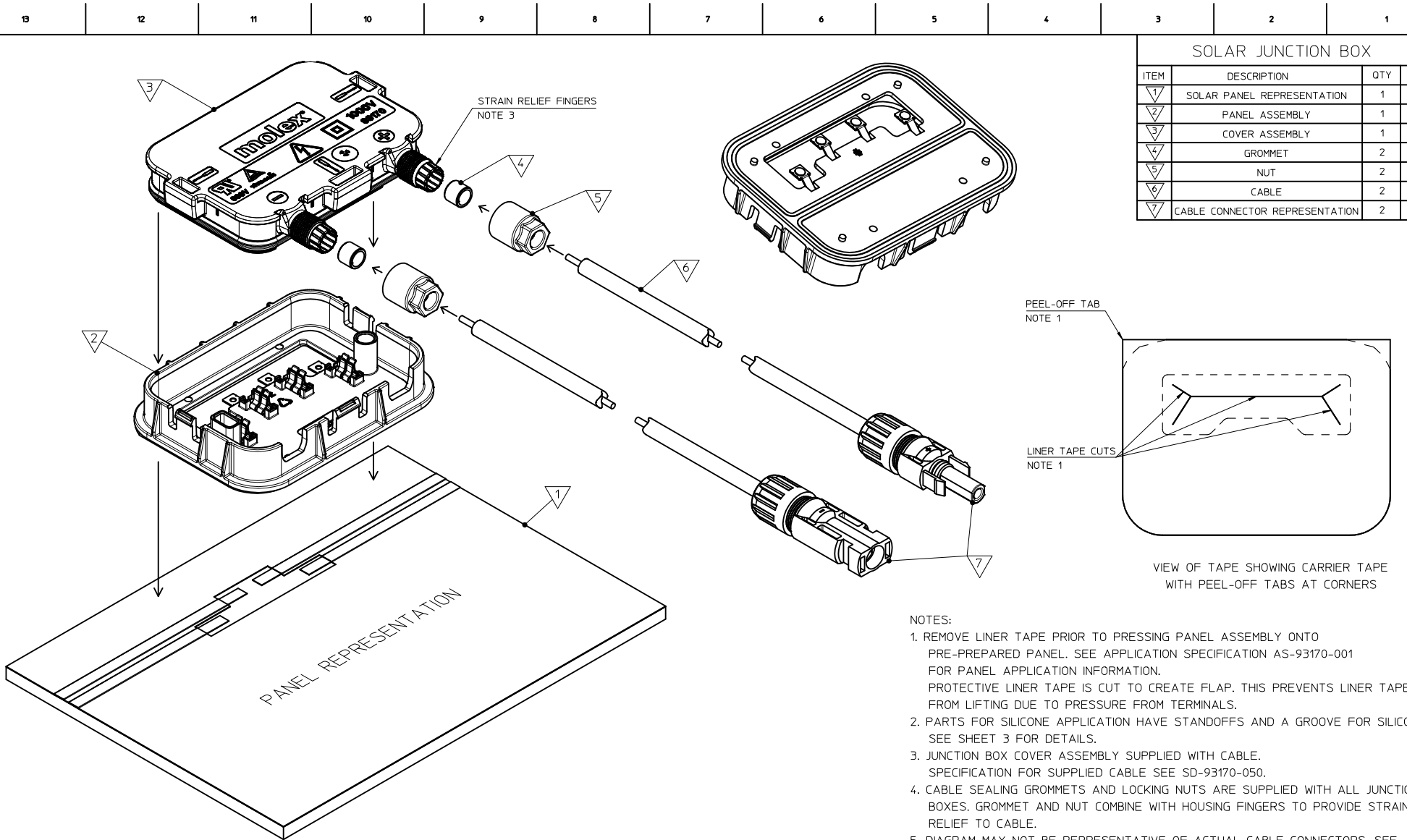


- NOTES:
1. SEPARATE COVER ASSEMBLY FROM BASE BY OPENING RETENTION CLIPS WITH SCREWDRIVER.
 2. PRESSURE EQUALISATION AND BREATHABILITY VENT.
 3. SILICONE SEAL: SHORE HARDNESS: 30A
 4. DIODES SOLDERED TO TERMINALS TO GIVE BEST HEAT REMOVAL PERFORMANCE.
 5. TERMINALS HEAT STAKED INTO HOUSING. LARGE SURFACE AREA FOR HEAT DISSIPATION.
 6. INSERT CABLE BY OPENING CABLE CLAMP WITH LONG-NOSE PLIERS.
 7. PARTS SUPPLIED WITH OR WITHOUT CABLES (SEE SHEET 6)
 8. PARTS SUPPLIED WITH GROMMETS INSTALLED. FOR JUNCTION BOX ONLY ASSEMBLIES, M12 NUT WILL BE SUPPLIED INSTALLED BUT NOT TIGHTENED.
 153. COVER ASSEMBLY PARTS MARKED WITH DATE CODE AS SHOWN, AT TIME OF MANUFACTURE. SEE SHEET 6 FOR DETAILS.

INSPECTION NUMBERS RESERVED FOR SHEET 3: 151-200
LAST INSPECTION NUMBER USED: 153

931704000			
ITEM	DESCRIPTION	QTY	NOTE
1	COVER HOUSING	1	1
2	BREATHABLE VENT	1	2
3	SILICONE SEAL	1	3
4	DIODE	3	4
5	TERMINAL (OUTER)	2	5
6	TERMINAL (CENTRE)	2	5
7	CABLE SPRING CLAMP	2	6
8	SILICONE GROMMET	2	7
9	M12 NUT	2	8

SEE SHEET 1 EC NO: E2011-0070 DRWN: JCONNOR 2010/08/16 CHKD: 2010/08/31 APPR: EFOLAN 2010/08/31	QUALITY SYMBOLS ▽=0 ▽=0	GENERAL TOLERANCES (UNLESS SPECIFIED) <table border="1"> <tr> <th></th> <th>mm</th> <th>INCH</th> </tr> <tr> <td>4 PLACES</td> <td>± ---</td> <td>± ---</td> </tr> <tr> <td>3 PLACES</td> <td>± ---</td> <td>± ---</td> </tr> <tr> <td>2 PLACES</td> <td>± 0.10</td> <td>± ---</td> </tr> <tr> <td>1 PLACE</td> <td>± 0.2</td> <td>± ---</td> </tr> <tr> <td colspan="3">ANGULAR ± 2 °</td> </tr> </table>		mm	INCH	4 PLACES	± ---	± ---	3 PLACES	± ---	± ---	2 PLACES	± 0.10	± ---	1 PLACE	± 0.2	± ---	ANGULAR ± 2 °			DIMENSION STYLE MM ONLY	SCALE 2:1	DESIGN UNITS METRIC	THIRD ANGLE PROJECTION
		mm	INCH																					
	4 PLACES	± ---	± ---																					
	3 PLACES	± ---	± ---																					
2 PLACES	± 0.10	± ---																						
1 PLACE	± 0.2	± ---																						
ANGULAR ± 2 °																								
DRAWN BY MSHANAHAN	DATE 2008/7/11	TITLE JUNCTION BOX FOR P.V. SOLAR PANEL SOLARSPEC (TM)	MOLEX INCORPORATED																					
CHECKED BY SMCGREEVY	DATE 2008/7/11	APPROVED BY EFOLAN	DATE 2010/03/31	MATERIAL NO. 931704000	DOCUMENT NO. SD-93170-001	SHEET NO. NIL OF 6																		
DRAFT WHERE APPLICABLE MUST REMAIN WITHIN DIMENSIONS			SIZE A2	THIS DRAWING CONTAINS INFORMATION THAT IS PROPRIETARY TO MOLEX INCORPORATED AND SHOULD NOT BE USED WITHOUT WRITTEN PERMISSION																				



SOLAR JUNCTION BOX			
ITEM	DESCRIPTION	QTY	NOTE
1	SOLAR PANEL REPRESENTATION	1	
2	PANEL ASSEMBLY	1	
3	COVER ASSEMBLY	1	
4	GROMMET	2	4
5	NUT	2	4
6	CABLE	2	3
7	CABLE CONNECTOR REPRESENTATION	2	5

PEEL-OFF TAB
NOTE 1

LINER TAPE CUTS
NOTE 1

VIEW OF TAPE SHOWING CARRIER TAPE WITH PEEL-OFF TABS AT CORNERS

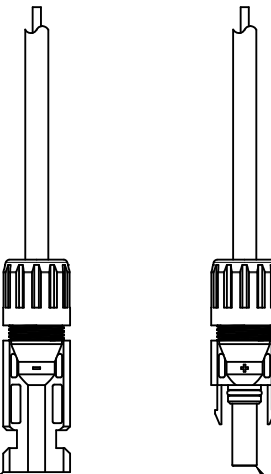
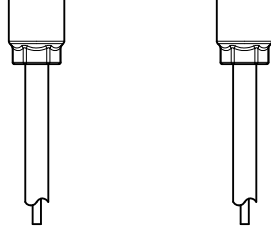
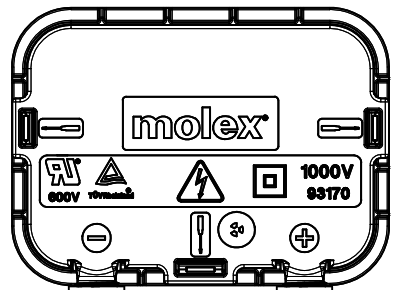
NOTES:

1. REMOVE LINER TAPE PRIOR TO PRESSING PANEL ASSEMBLY ONTO PRE-PREPARED PANEL. SEE APPLICATION SPECIFICATION AS-93170-001 FOR PANEL APPLICATION INFORMATION. PROTECTIVE LINER TAPE IS CUT TO CREATE FLAP. THIS PREVENTS LINER TAPE FROM LIFTING DUE TO PRESSURE FROM TERMINALS.
2. PARTS FOR SILICONE APPLICATION HAVE STANDOFFS AND A GROOVE FOR SILICONE. SEE SHEET 3 FOR DETAILS.
3. JUNCTION BOX COVER ASSEMBLY SUPPLIED WITH CABLE. SPECIFICATION FOR SUPPLIED CABLE SEE SD-93170-050.
4. CABLE SEALING GROMMETS AND LOCKING NUTS ARE SUPPLIED WITH ALL JUNCTION BOXES. GROMMET AND NUT COMBINE WITH HOUSING FINGERS TO PROVIDE STRAIN RELIEF TO CABLE.
5. DIAGRAM MAY NOT BE REPRESENTATIVE OF ACTUAL CABLE CONNECTORS. SEE SD-93170-050 FOR DETAILS OF SUPPLIED CONNECTORS.

SEE SHEET 1 EC NO: E2011-0070 DRAWN: J O'CONNOR CHKD: CHIKO APPR: EFOLAN	2010/08/16 2010/08/31 2010/08/31	DESCRIPTION REV	QUALITY SYMBOLS	GENERAL TOLERANCES (UNLESS SPECIFIED) <table border="1"> <tr> <td></td> <td>mm</td> <td>INCH</td> </tr> <tr> <td>4 PLACES</td> <td>± .005</td> <td>± .0005</td> </tr> <tr> <td>3 PLACES</td> <td>± .002</td> <td>± .0002</td> </tr> <tr> <td>2 PLACES</td> <td>± 0.10</td> <td>± .004</td> </tr> <tr> <td>1 PLACE</td> <td>± 0.2</td> <td>± .008</td> </tr> <tr> <td colspan="3">ANGULAR ± 2 °</td> </tr> </table>		mm	INCH	4 PLACES	± .005	± .0005	3 PLACES	± .002	± .0002	2 PLACES	± 0.10	± .004	1 PLACE	± 0.2	± .008	ANGULAR ± 2 °			DIMENSION STYLE MM ONLY	SCALE 2:1	DESIGN UNITS METRIC	THIRD ANGLE PROJECTION
					mm	INCH																				
			4 PLACES		± .005	± .0005																				
			3 PLACES		± .002	± .0002																				
2 PLACES	± 0.10	± .004																								
1 PLACE	± 0.2	± .008																								
ANGULAR ± 2 °																										
DRAWN BY MSHANAHAN	DATE 2008/7/11	TITLE JUNCTION BOX FOR P.V. SOLAR PANEL SOLARSPEC (TM)																								
CHECKED BY SMCGREEVY	DATE 2008/7/11	MOLEX INCORPORATED																								
APPROVED BY EFOLAN	DATE 2010/03/31	MATERIAL NO. NOTE 9 SHT 1	DOCUMENT NO. SD-93170-001																							

DRAFT WHERE APPLICABLE MUST REMAIN WITHIN DIMENSIONS

SIZE A 2 THIS DRAWING CONTAINS INFORMATION THAT IS PROPRIETARY TO MOLEX INCORPORATED AND SHOULD NOT BE USED WITHOUT WRITTEN PERMISSION



NEGATIVE
CONNECTOR

POSITIVE
CONNECTOR

PART NUMBERS FOR FINISHED
ASSEMBLIES WITHOUT CABLES
ARE SHOWN BELOW:

FULL ASSEMBLY	SILICONE/ TAPE	SOLDER CHARGE Y/N
931705000	SILICONE	N
931705001	SILICONE	Y
931705010	TAPE 1	N
931705011	TAPE 1	Y
931705020	TAPE 2	N
931705021	TAPE 2	Y
931705030	TAPE 3	N
931705031	TAPE 3	Y

H H D W W Y Y

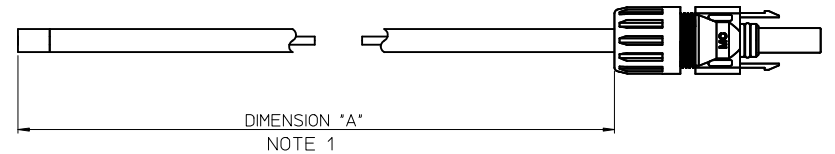
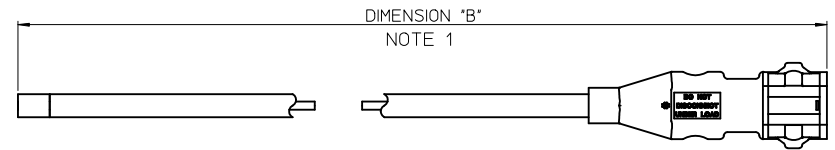
HOUR (1-24)

DAY (MONDAY = 1)

WEEK (1-52)

YEAR

DATE CODE
NOTE 2

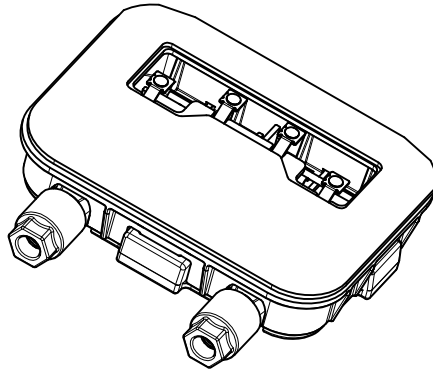


NOTES:

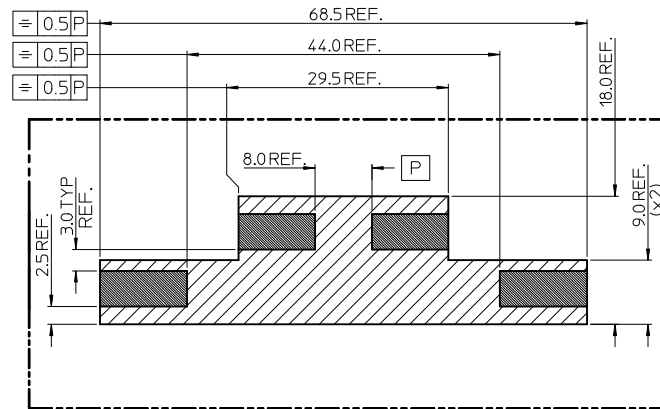
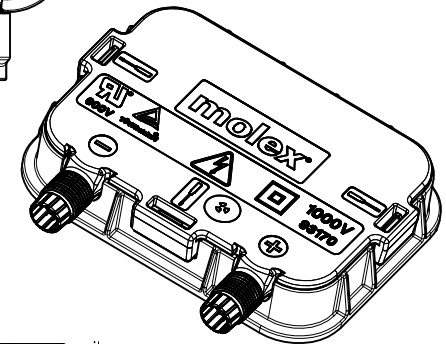
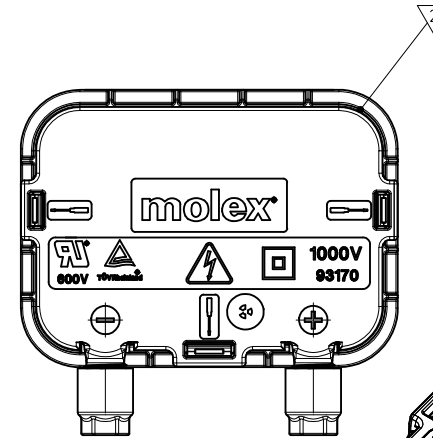
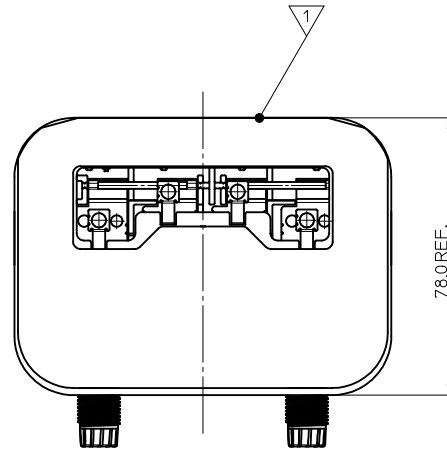
- DIMENSIONS "A" OR "B" CONTROLLED BY CHOSEN PART NUMBER. SEE SD-93170-050 FOR AVAILABLE CABLE/LENGTH OPTIONS. DIMENSION "A" DOES NOT INCLUDE LENGTH OF CONNECTOR. DIMENSION "B" INCLUDES LENGTH OF CONNECTOR.
- DATE CODE LASER MARKED ON ALL SUB-ASSEMBLIES. SEE SHEETS 2 & 4 FOR POSITION DETAILS.

SEE SHEET 1 EC NO: E2011-0070 DRAWN: J O'CONNOR 2010/08/16 CHKD: 2010/08/31 APPR: E FOLAN 2010/08/31	QUALITY SYMBOLS	GENERAL TOLERANCES (UNLESS SPECIFIED)	DIMENSION STYLE	SCALE	DESIGN UNITS	THIRD ANGLE PROJECTION																														
	$\nabla=0$ $\nabla=0$	<table border="1"> <tr> <th></th> <th>mm</th> <th>INCH</th> </tr> <tr> <td>4 PLACES</td> <td>± ---</td> <td>± ---</td> </tr> <tr> <td>3 PLACES</td> <td>± ---</td> <td>± ---</td> </tr> <tr> <td>2 PLACES</td> <td>± 0.10</td> <td>± ---</td> </tr> <tr> <td>1 PLACE</td> <td>± 0.2</td> <td>± ---</td> </tr> <tr> <td colspan="3">ANGULAR ± 2 °</td> </tr> </table>		mm	INCH	4 PLACES	± ---	± ---	3 PLACES	± ---	± ---	2 PLACES	± 0.10	± ---	1 PLACE	± 0.2	± ---	ANGULAR ± 2 °			<table border="1"> <tr> <th>MM ONLY</th> <th>DATE</th> <th>TITLE</th> </tr> <tr> <td>DRAWN BY</td> <td>2008/7/11</td> <td rowspan="4"> JUNCTION BOX FOR P.V. SOLAR PANEL SOLARSPEC (TM) MOLEX INCORPORATED </td> </tr> <tr> <td>CHECKED BY</td> <td>2008/7/11</td> </tr> <tr> <td>APPROVED BY</td> <td>2010/03/31</td> </tr> <tr> <td>MATERIAL NO.</td> <td></td> </tr> </table>	MM ONLY	DATE	TITLE	DRAWN BY	2008/7/11	JUNCTION BOX FOR P.V. SOLAR PANEL SOLARSPEC (TM) MOLEX INCORPORATED	CHECKED BY	2008/7/11	APPROVED BY	2010/03/31	MATERIAL NO.		2:1	METRIC	
		mm	INCH																																	
	4 PLACES	± ---	± ---																																	
3 PLACES	± ---	± ---																																		
2 PLACES	± 0.10	± ---																																		
1 PLACE	± 0.2	± ---																																		
ANGULAR ± 2 °																																				
MM ONLY	DATE	TITLE																																		
DRAWN BY	2008/7/11	JUNCTION BOX FOR P.V. SOLAR PANEL SOLARSPEC (TM) MOLEX INCORPORATED																																		
CHECKED BY	2008/7/11																																			
APPROVED BY	2010/03/31																																			
MATERIAL NO.																																				
DRAFT WHERE APPLICABLE MUST REMAIN WITHIN DIMENSIONS	NOTE 9 SHT 1 SIZE A 2	THIS DRAWING CONTAINS INFORMATION THAT IS PROPRIETARY TO MOLEX INCORPORATED AND SHOULD NOT BE USED WITHOUT WRITTEN PERMISSION	DOCUMENT NO. SD-93170-001	SHEET NO. NIL OF 6																																

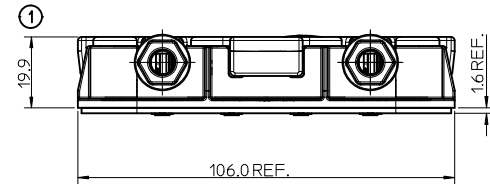
ITEM	DESCRIPTION	QTY	SHEETS
1	PANEL ASSEMBLY	1	2,4 & 5
2	COVER ASSEMBLY	1	3,4 & 5



TAPE VERSION



SUGGESTION FOR LAMINATE CUT-OUT
& RIBBON POSITIONS
(CUSTOMER CAN DECIDE BASED ON CAPABILITY)

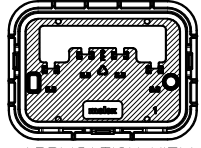
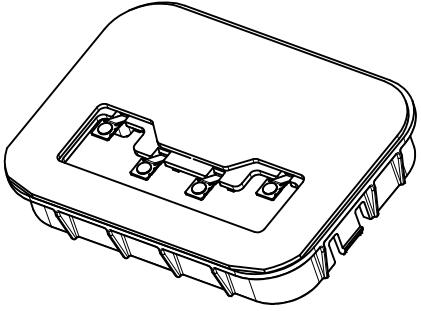
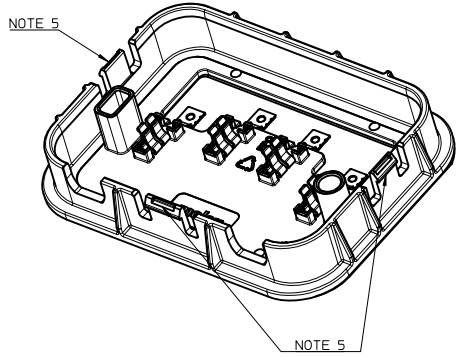


NOTES:

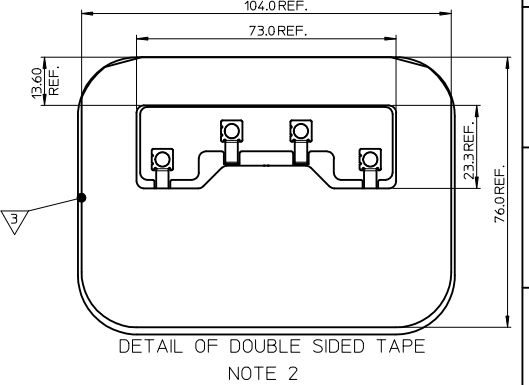
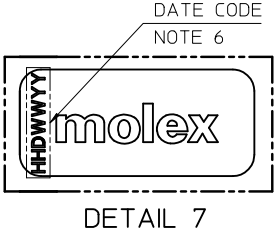
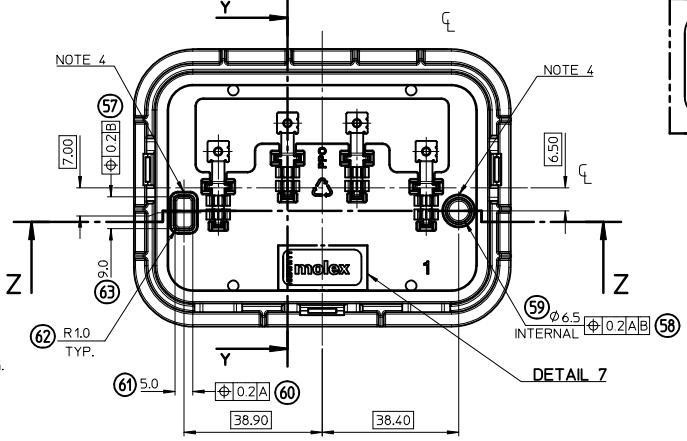
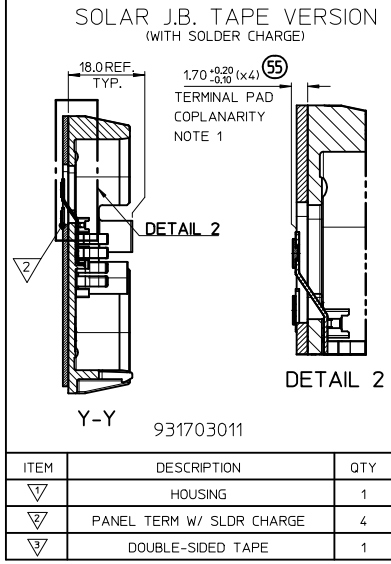
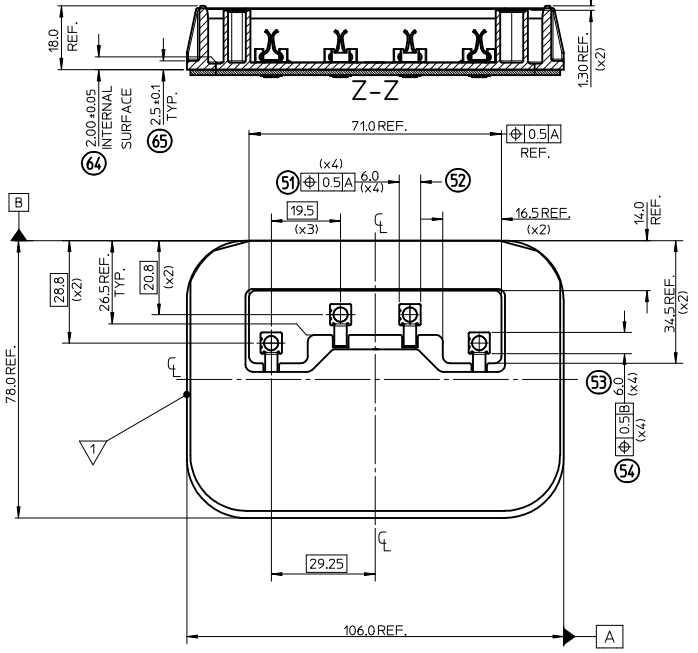
1. HOUSING MATERIAL: PPO. COLOUR BLACK
2. TERMINAL MATERIALS: COPPER ALLOY
3. TERMINAL PLATING: Ag AND Ni
4. IP RATING: 65
5. WITHSTAND VOLTAGE: 1000V
6. CURRENT RATING: 9A
7. TEMPERATURE RANGE: -40°C TO 85°C
8. FOR CURRENT & VOLTAGE RATINGS SEE PRODUCT SPECIFICATION: PS-93170-001

INSPECTION NUMBERS RESERVED FOR SHEET 1: 1-50
LAST INSPECTION NUMBER USED: 1

ORIGINAL RELEASE EC NO: E2011-0260 DRWN: MSHANAHAN 2010/05/25 CHKD: APPR: EFOLAN 2011/02/08 DESCRIPTION	QUALITY SYMBOLS	GENERAL TOLERANCES (UNLESS SPECIFIED)	DIMENSION STYLE	SCALE	DESIGN UNITS	THIRD ANGLE PROJECTION
	$\nabla=0$ $\nabla=0$	mm INCH 4 PLACES ± --- ± --- 3 PLACES ± --- ± --- 2 PLACES ± 0.10 ± --- 1 PLACE ± 0.2 ± --- ANGULAR ± 2 °	MM ONLY DRAWN BY DATE MSHANAHAN 2010/05/25 CHECKED BY DATE	1:1	METRIC	TITLE JUNCTION BOX (1 DIODE) FOR P.V. SOLAR PANEL SOLARSPEC (TM)
		DRAFT WHERE APPLICABLE MUST REMAIN WITHIN DIMENSIONS	APPROVED BY DATE EFOLAN 2011/02/08 MATERIAL NO. SHTS 2,3, 4 & 5		MOLEX INCORPORATED DOCUMENT NO. SD-93170-010	SHEET NO. 1 OF 5
			SIZE A 2 THIS DRAWING CONTAINS INFORMATION THAT IS PROPRIETARY TO MOLEX INCORPORATED AND SHOULD NOT BE USED WITHOUT WRITTEN PERMISSION			

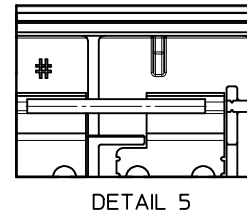
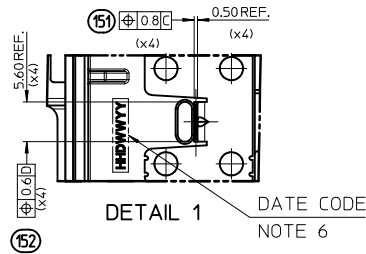
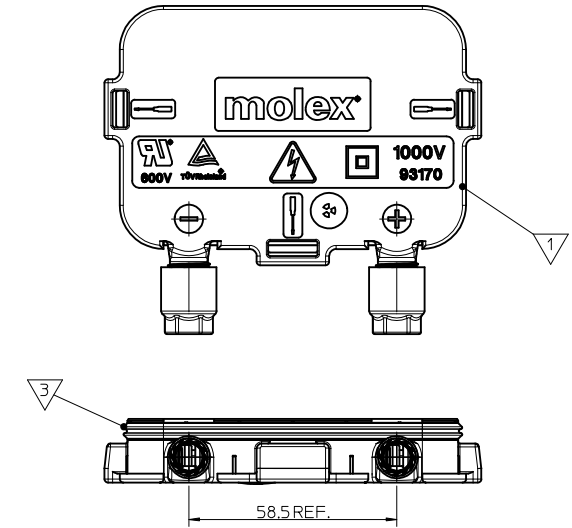
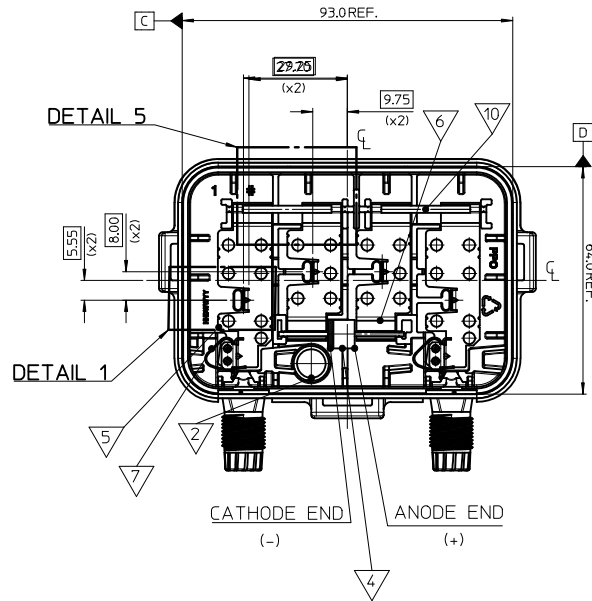
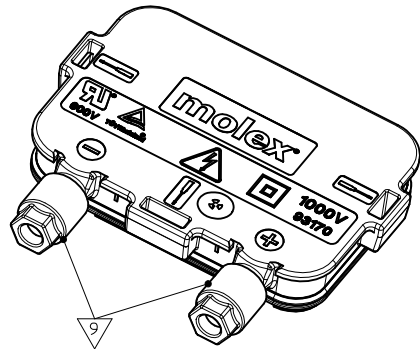
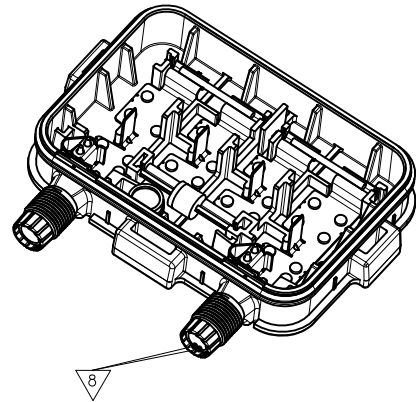


APPLICATION VIEW
NOTE 3



- NOTES:
- PANEL ASSEMBLY TERMINALS COME WITH SOLDER CHARGE. ALL TERMINALS MEASURED BY DISTANCE FROM TERMINAL PAD TO HOUSING. TERMINAL PAD SHOULD BE BELOW LEVEL OF DOUBLE SIDED TAPE. SOLDER CHARGE PRE-TREATED WITH FLUX.
 - DOUBLE-SIDED TAPE FOR ADHESION TO PANEL. WINDOW FOR TERMINALS WILL BE CLOSED WITH EXISTING CARRIER TAPE.
 - APPLY 10-15N/cm2 (15-22psi) PRESSURE TO ENSURE CORRECT ADHESION. PRESSURE TO BE APPLIED TO INNER SURFACE OF PANEL HOUSING (SEE HATCHED AREA IN APPLICATION VIEW).
 - ALIGNMENT FEATURES FOR GUIDING APPLICATION TOOLING (PRESS TOOL AND SOLDERING TOOL).
 - LATCHES FOR RETENTION OF COVER ASSEMBLY.
 - PANEL ASSEMBLY PARTS MARKED WITH DATE CODE AS SHOWN. AT TIME OF MANUFACTURE. SEE SHEET 5 FOR DETAILS.
- INSPECTION NUMBERS RESERVED FOR SHEET 2: 51-100
 LAST INSPECTION NUMBER USED: 66

SEE SHEET 1 EC NO: E2011-0260 DRAWN: MSHANAHAN 2010/05/25 CHKD: EFOLAN APPR: EFOLAN 2011/02/08 REV: A	QUALITY SYMBOLS ▽=0 ▽=0	GENERAL TOLERANCES (UNLESS SPECIFIED)		DIMENSION STYLE MM ONLY		SCALE 1:1	DESIGN UNITS METRIC	THIRD ANGLE PROJECTION
		4 PLACES ± --- ± --- 3 PLACES ± --- ± --- 2 PLACES ± 0.10 ± --- 1 PLACE ± 0.2 ± --- ANGULAR ± 2 °	m/m INCH ± --- ± --- ± 0.10 ± --- ± 0.2 ± ---	DRAWN BY MSHANAHAN DATE 2010/05/25	TITLE JUNCTION BOX (1 DIODE) FOR P.V. SOLAR PANEL SOLARSPEC (TM)	CHECKED BY DATE	APPROVED BY EFOLAN DATE 2011/02/08	MATERIAL NO. 931703011
DRAFT WHERE APPLICABLE MUST REMAIN WITHIN DIMENSIONS		THIS DRAWING CONTAINS INFORMATION THAT IS PROPRIETARY TO MOLEX INCORPORATED AND SHOULD NOT BE USED WITHOUT WRITTEN PERMISSION						



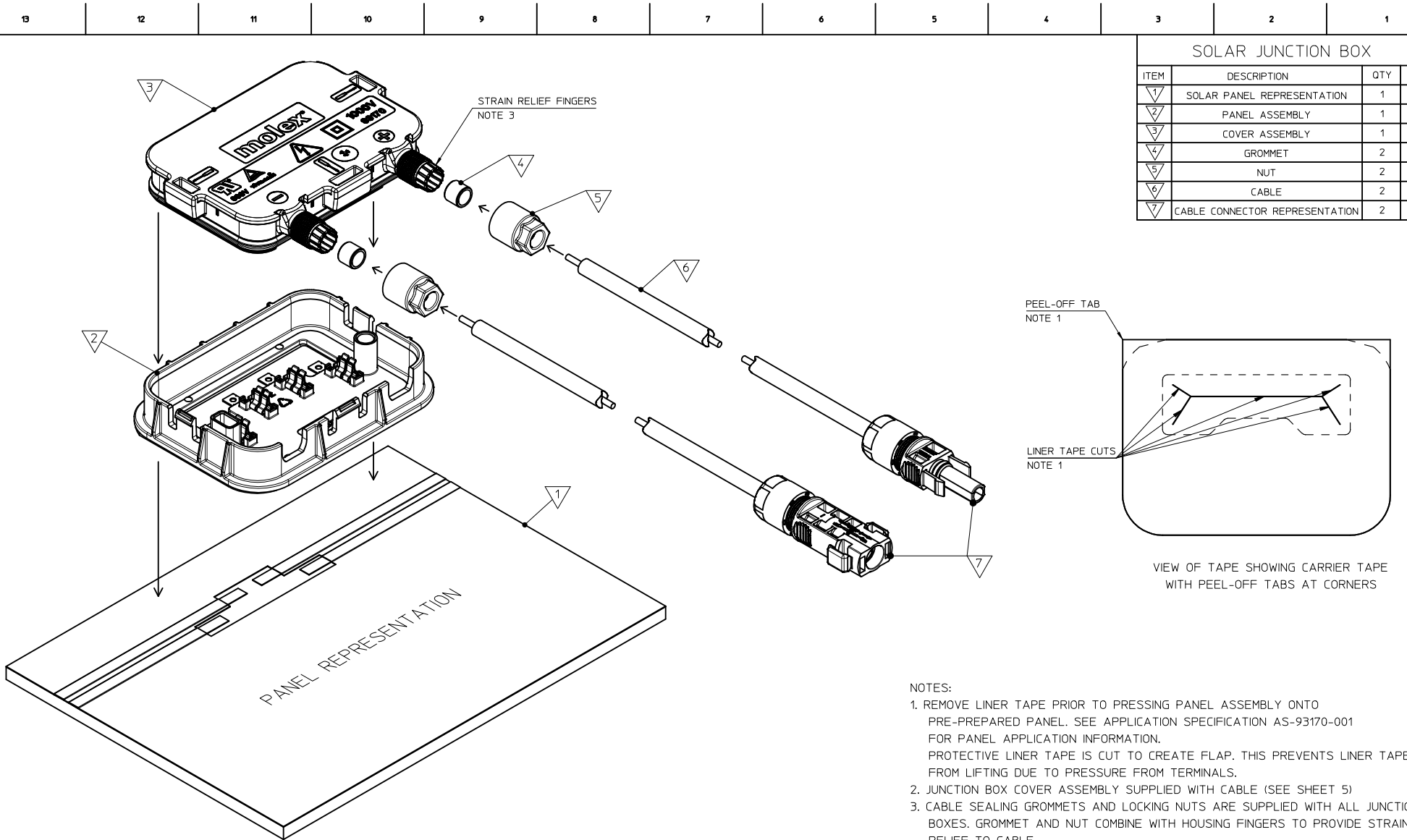
NOTES:

1. SEPARATE COVER ASSEMBLY FROM BASE BY OPENING RETENTION CLIPS WITH SCREWDRIVER.
2. PRESSURE EQUALISATION AND BREATHABILITY VENT.
3. SILICONE SEAL: SHORE HARDNESS: 30A
4. DIODES SOLDERED TO TERMINALS TO GIVE BEST HEAT REMOVAL PERFORMANCE.
5. TERMINALS HEAT STAKED INTO HOUSING. LARGE SURFACE AREA FOR HEAT DISSIPATION.
6. COVER ASSEMBLY PARTS MARKED WITH DATE CODE AS SHOWN, AT TIME OF MANUFACTURE. SEE SHEET 5 FOR DETAILS
7. BRIDGE WIRE: 4mm² Sn PLATED SOLID COPPER WIRE

INSPECTION NUMBERS RESERVED FOR SHEET 3: 151-200
LAST INSPECTION NUMBER USED: 153

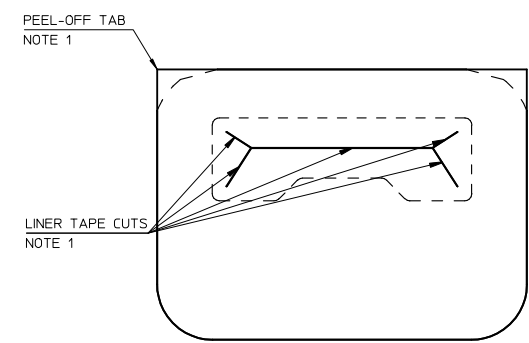
931704025			
ITEM	DESCRIPTION	QTY	NOTE
1	COVER HOUSING	1	1
2	BREATHABLE VENT	1	2
3	SILICONE SEAL	1	3
4	DIODE	1	4
5	TERMINAL (OUTER)	2	5
6	TERMINAL (CENTRE)	2	5
7	CABLE SPRING CLAMP	2	
8	SILICONE GROMMET	2	
9	M12 NUT	2	
10	BRIDGE WIRE	2	7

SEE SHEET 1 EC NO: E2011-0260 DRAWN: MSHANAHAN 2010/05/25 CHKD: APPR: EFOLAN 2011/02/08 REV A	QUALITY SYMBOLS ▽=0 ▽=0	GENERAL TOLERANCES (UNLESS SPECIFIED) <table border="1"> <tr> <th></th> <th>mm</th> <th>INCH</th> </tr> <tr> <td>4 PLACES</td> <td>± ---</td> <td>± ---</td> </tr> <tr> <td>3 PLACES</td> <td>± ---</td> <td>± ---</td> </tr> <tr> <td>2 PLACES</td> <td>± 0.10</td> <td>± ---</td> </tr> <tr> <td>1 PLACE</td> <td>± 0.2</td> <td>± ---</td> </tr> <tr> <td colspan="3">ANGULAR ± 2 °</td> </tr> </table>		mm	INCH	4 PLACES	± ---	± ---	3 PLACES	± ---	± ---	2 PLACES	± 0.10	± ---	1 PLACE	± 0.2	± ---	ANGULAR ± 2 °			DIMENSION STYLE MM ONLY DRAWN BY DATE MSHANAHAN 2010/05/25 CHECKED BY DATE APPROVED BY DATE EFOLAN 2011/02/08 MATERIAL NO. 931704025	SCALE 1:1 DESIGN UNITS METRIC THIRD ANGLE PROJECTION	TITLE JUNCTION BOX (1 DIODE) FOR P.V. SOLAR PANEL SOLARSPEC (TM) moLEX MOLEX INCORPORATED DOCUMENT NO. SD-93170-010 SHEET NO. 3 OF 5
		mm	INCH																				
	4 PLACES	± ---	± ---																				
	3 PLACES	± ---	± ---																				
2 PLACES	± 0.10	± ---																					
1 PLACE	± 0.2	± ---																					
ANGULAR ± 2 °																							
DRAFT WHERE APPLICABLE MUST REMAIN WITHIN DIMENSIONS		THIS DRAWING CONTAINS INFORMATION THAT IS PROPRIETARY TO MOLEX INCORPORATED AND SHOULD NOT BE USED WITHOUT WRITTEN PERMISSION																					



SOLAR JUNCTION BOX

ITEM	DESCRIPTION	QTY	NOTE
1	SOLAR PANEL REPRESENTATION	1	
2	PANEL ASSEMBLY	1	
3	COVER ASSEMBLY	1	
4	GROMMET	2	3
5	NUT	2	3
6	CABLE	2	2
7	CABLE CONNECTOR REPRESENTATION	2	4



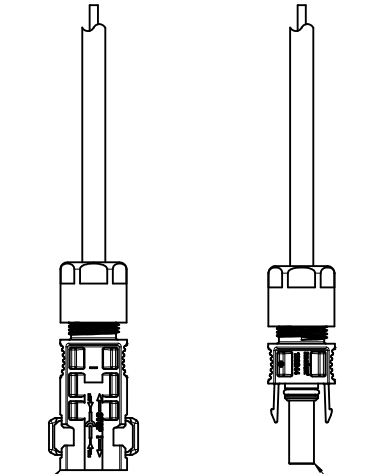
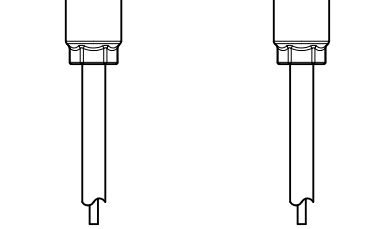
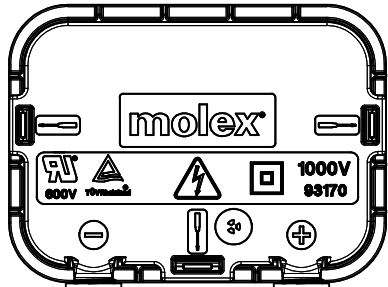
VIEW OF TAPE SHOWING CARRIER TAPE WITH PEEL-OFF TABS AT CORNERS

- NOTES:
1. REMOVE LINER TAPE PRIOR TO PRESSING PANEL ASSEMBLY ONTO PRE-PREPARED PANEL. SEE APPLICATION SPECIFICATION AS-93170-001 FOR PANEL APPLICATION INFORMATION. PROTECTIVE LINER TAPE IS CUT TO CREATE FLAP. THIS PREVENTS LINER TAPE FROM LIFTING DUE TO PRESSURE FROM TERMINALS.
 2. JUNCTION BOX COVER ASSEMBLY SUPPLIED WITH CABLE (SEE SHEET 5)
 3. CABLE SEALING GROMMETS AND LOCKING NUTS ARE SUPPLIED WITH ALL JUNCTION BOXES. GROMMET AND NUT COMBINE WITH HOUSING FINGERS TO PROVIDE STRAIN RELIEF TO CABLE.
 4. DIAGRAM MAY NOT BE REPRESENTATIVE OF ACTUAL CABLE CONNECTORS.

SEE SHEET 1 EC NO: E2011-0260 DRAWN: MSHANAHAN 2010/05/25 CHKD: CHIKO APPR: EFOLAN 2011/02/08 REV: A	QUALITY SYMBOLS	GENERAL TOLERANCES (UNLESS SPECIFIED)	DIMENSION STYLE	SCALE	DESIGN UNITS	THIRD ANGLE PROJECTION
	$\nabla=0$ $\nabla=0$	mm INCH 4 PLACES ± --- ± --- 3 PLACES ± --- ± --- 2 PLACES ± 0.10 ± --- 1 PLACE ± 0.2 ± --- ANGULAR ± 2 °	MM ONLY DRAWN BY MSHANAHAN DATE 2010/05/25 CHECKED BY DATE APPROVED BY EFOLAN DATE 2011/02/08 MATERIAL NO.	1:1	METRIC	TITLE JUNCTION BOX (1 DIODE) FOR P.V. SOLAR PANEL SOLARSPEC (TM) MOLEX INCORPORATED
	DRAFT WHERE APPLICABLE MUST REMAIN WITHIN DIMENSIONS	SIZE A 2	SHEET 5 THIS DRAWING CONTAINS INFORMATION THAT IS PROPRIETARY TO MOLEX INCORPORATED AND SHOULD NOT BE USED WITHOUT WRITTEN PERMISSION	DOCUMENT NO. SD-93170-010	SHEET NO. 4 OF 5	

FULL ASSEMBLY	TAPE	SOLDER CHARGE Y/N
931707611	TESA	Y
931707711	TESA	Y

BASE ASSEMBLY: 93170-3011
 TOP COVER ASSEMBLY WITH YAMAICHI CABLES: 93170-4026
 TOP COVER ASSEMBLY WITH BIZLINK CABLES WITH MOLEX DC: 93170-4027

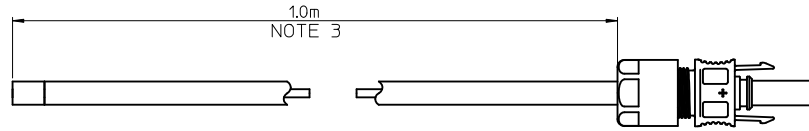
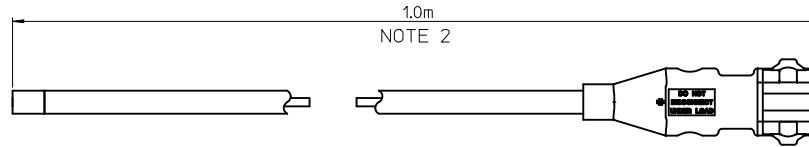


NEGATIVE CONNECTOR

POSITIVE CONNECTOR



HOUR (1-24)
 DAY (MONDAY = 1)
 WEEK (1-52)
 YEAR
 DATE CODE
 NOTE 1



- NOTES:
- DATE CODE LASER MARKED ON ALL SUB-ASSEMBLIES. SEE SHEETS 2 & 4 FOR POSITION DETAILS.
 - CABLE TYPE: LEONI BETAFLAM (224803) 12 AWG (4mm²) YAMAICHI
 - CABLE TYPE: BIZLINK (TY-2100) 12 AWG (4mm²) MOLEX DC

SEE SHEET 1 EC NO: E2011-0260 DRW: MSHANAHAN 2010/05/25 CHKD: APPR: EFOLAN 2011/02/08	QUALITY SYMBOLS	GENERAL TOLERANCES (UNLESS SPECIFIED)	DIMENSION STYLE	SCALE	DESIGN UNITS	THIRD ANGLE PROJECTION																							
	$\nabla=0$ $\nabla=0$	<table border="1"> <thead> <tr> <th></th> <th>mm</th> <th>INCH</th> </tr> </thead> <tbody> <tr> <td>4 PLACES</td> <td>± ---</td> <td>± ---</td> </tr> <tr> <td>3 PLACES</td> <td>± ---</td> <td>± ---</td> </tr> <tr> <td>2 PLACES</td> <td>± 0.10</td> <td>± ---</td> </tr> <tr> <td>1 PLACE</td> <td>± 0.2</td> <td>± ---</td> </tr> </tbody> </table>		mm	INCH	4 PLACES	± ---	± ---	3 PLACES	± ---	± ---	2 PLACES	± 0.10	± ---	1 PLACE	± 0.2	± ---	MM ONLY	1:1	METRIC									
		mm	INCH																										
	4 PLACES	± ---	± ---																										
3 PLACES	± ---	± ---																											
2 PLACES	± 0.10	± ---																											
1 PLACE	± 0.2	± ---																											
DESCRIPTION	<table border="1"> <thead> <tr> <th>DRAWN BY</th> <th>DATE</th> <th>TITLE</th> </tr> </thead> <tbody> <tr> <td>MSHANAHAN</td> <td>2010/05/25</td> <td>JUNCTION BOX (1 DIODE) FOR P.V. SOLAR PANEL SOLARSPEC (TM)</td> </tr> <tr> <th>CHECKED BY</th> <th>DATE</th> <th></th> </tr> <tr> <td></td> <td></td> <td></td> </tr> </tbody> </table>	DRAWN BY	DATE	TITLE	MSHANAHAN	2010/05/25	JUNCTION BOX (1 DIODE) FOR P.V. SOLAR PANEL SOLARSPEC (TM)	CHECKED BY	DATE					<table border="1"> <tr> <td>APPROVED BY</td> <td>DATE</td> </tr> <tr> <td>EFOLAN</td> <td>2011/02/08</td> </tr> </table>		APPROVED BY	DATE	EFOLAN	2011/02/08	<table border="1"> <tr> <td colspan="2">MATERIAL NO.</td> <td colspan="2">DOCUMENT NO.</td> </tr> <tr> <td colspan="2">SEE CHART</td> <td colspan="2">SD-93170-010</td> </tr> </table>		MATERIAL NO.		DOCUMENT NO.		SEE CHART		SD-93170-010	
DRAWN BY	DATE	TITLE																											
MSHANAHAN	2010/05/25	JUNCTION BOX (1 DIODE) FOR P.V. SOLAR PANEL SOLARSPEC (TM)																											
CHECKED BY	DATE																												
APPROVED BY	DATE																												
EFOLAN	2011/02/08																												
MATERIAL NO.		DOCUMENT NO.																											
SEE CHART		SD-93170-010																											
REV	DRAFT WHERE APPLICABLE MUST REMAIN WITHIN DIMENSIONS	SIZE	THIS DRAWING CONTAINS INFORMATION THAT IS PROPRIETARY TO MOLEX INCORPORATED AND SHOULD NOT BE USED WITHOUT WRITTEN PERMISSION																										