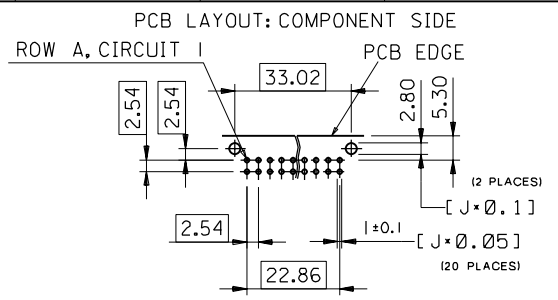
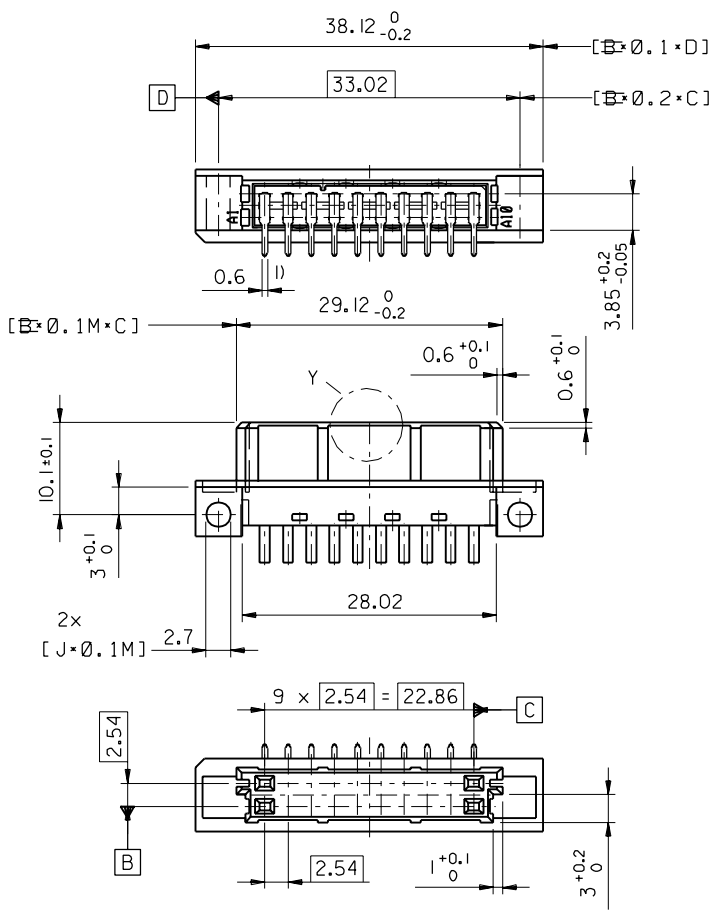
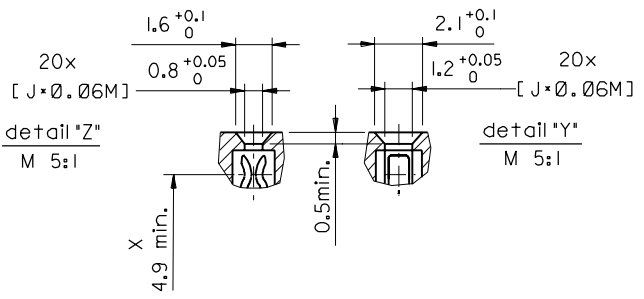
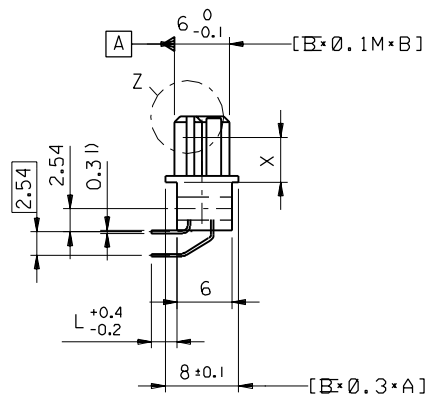


PART NO.
DWG. NO.



1) tails to fit in PC-board layout



FIRST ANGLE PROJECTION

UNLESS OTHERWISE SPECIFIED TOLERANCES: ANGULAR $\pm 2^\circ$	INCH	METRIC
	3 PLACE \pm	\pm
	2 PLACE \pm	\pm
	1 PLACE \pm	\pm
DRAFT WHERE APPLICABLE MUST REMAIN WITHIN DIMENSIONS		
DESIGN DIMENSION	<input checked="" type="checkbox"/> MM	<input type="checkbox"/> IN.
EQUIVALENT DIMENSION	<input type="checkbox"/> MM	<input type="checkbox"/> IN.
IF TWO DIMENSIONS ARE SHOWN THE UPPER IS THE DESIGN DIMENSION, LOWER IS SECONDARY		

REVISE ONLY ON CAD SYSTEM		SH.	REV.
CAD/CAM PROJECT NAME 85050000 s31		THIS DRAWING CONTAINS INFORMATION THAT IS PROPRIETARY TO MOLEX INC. & SHOULD NOT BE USED WITHOUT WRITTEN PERMISSION	
TITLE 20 pos. female connector DIN 41612 style Q/3 Dimensions			
MOLEX MOLEX EUROPE		SHEET NO. DATE 1 of 1 96/04/25	
PART NO.	DWG NO.	SIZE	
SDA-85050-0003		B	

ECN MG1898-2586 L +0.4-0.2, Lockbild 97-09-17 KN	REVISIONS
BI	LTR

VIEW ON MATING SIDE

∞	B	B	B	B	B	B	B	B	B
◁	A	A	A	A	A	A	A	A	A

∞ σ ∞ ∞ ∞ ∞ ∞ ∞ ∞ ∞ ∞

A = 10 CONTACTS L=2,8
 B = 10 CONTACTS L=2,8

S = 20 TOTAL NUMBER OF CONTACTS

Marking	Standard
Performance level	G1/O = Contact area perform. level / Termination tin
Flux proof	no
Fixing clip	no
Dimensions	SDA-85050-0003 sht.1
Technical Data	PS-85052-0001

B	G1/O	b1-I0
A	G1/O	a1-I0
Contact symbol	Perform. level	Contact position number

ECN 2264 Produkt spec. 96-10-21 KN	REVISIONS	FOR PREVIOUS REVISIONS SEE MRI LIST
	LTR	∇-1

UNLESS OTHERWISE SPECIFIED TOLERANCES: ANGULAR ± 2°	DRWG BY	CC	SIGN
	CHK'D BY	KN	SIGN
	APP'D BY		SIGN
INCH			
METRIC			
3 PLACE ± .	±		
2 PLACE ± .	±		
1 PLACE ± .	±		
DRAFT WHERE APPLICABLE MUST REMAIN WITHIN DIMENSIONS			
DESIGN DIMENSION	<input type="checkbox"/> MM	<input type="checkbox"/> IN.	
EQUIVALENT DIMENSION	<input type="checkbox"/> MM	<input type="checkbox"/> IN.	
IF TWO DIMENSIONS ARE SHOWN, THE UPPER IS THE DESIGN DIMENSION, LOWER IS SECONDARY			

REVISE ONLY ON CAD SYSTEM	CAD/CAM PROJECT NAME	SH. REV.
	s8505000	THIS DRAWING CONTAINS INFORMATION THAT IS PROPRIETARY TO MOLEX INC. & SHOULD NOT BE USED WITHOUT WRITTEN PERMISSION
	s51	
TITLE		
20 pos. female connector acc. DIN 41612 style Q/3 contacts arrangement		
MOLEX EUROPE		SHEET NO. DATE
85050-0050		1 OF 1 96/06/13
PART NO.	DWG NO.	SIZE
85050-0050	SDA-85050-0050	A