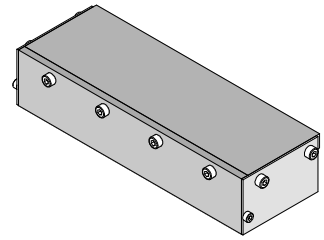




**2-by-12
zSFP+
Insertion Tool**

**Application Tooling
Specification Sheet**



Order No. 62202-5280

FEATURES

- Lightweight tool used in the insertion of a zSFP+ connector in a PCB
- Inserts connector to a PCB without damage to the board
- Use tool 62202-5290 for removing connectors
- PCB support not included (furnished by customer)

SCOPE

Products: zQuad Small Form-Factor Pluggable Plus (zSFP+) Cage Assembly, with Elastomeric Gasket or Metal EMI Gasket, 2-by-12 Enhanced EMI Cage Construction.

Connector Series No.	Connector Order No.					
170071	170071-1201	170071-1211	170071-1212	170071-1213	170071-1214	170071-1215
171224	171224-1201	171224-1209	171224-1211	171224-1212	171224-1213	171224-1214
	171224-1215	171224-1230	171224-1231	171224-1241	171224-1242	171224-1250
	171224-1260	171224-1261				
172501	172501-1202					

Notes:

1. See the following pages for tooling operation instructions.
2. These tools require a “Keep Out Zone” around the connector free of components. The right and left sides should be 0.08” (2mm). The rear of the connector should be .197” (5.0mm). See Figure 1.

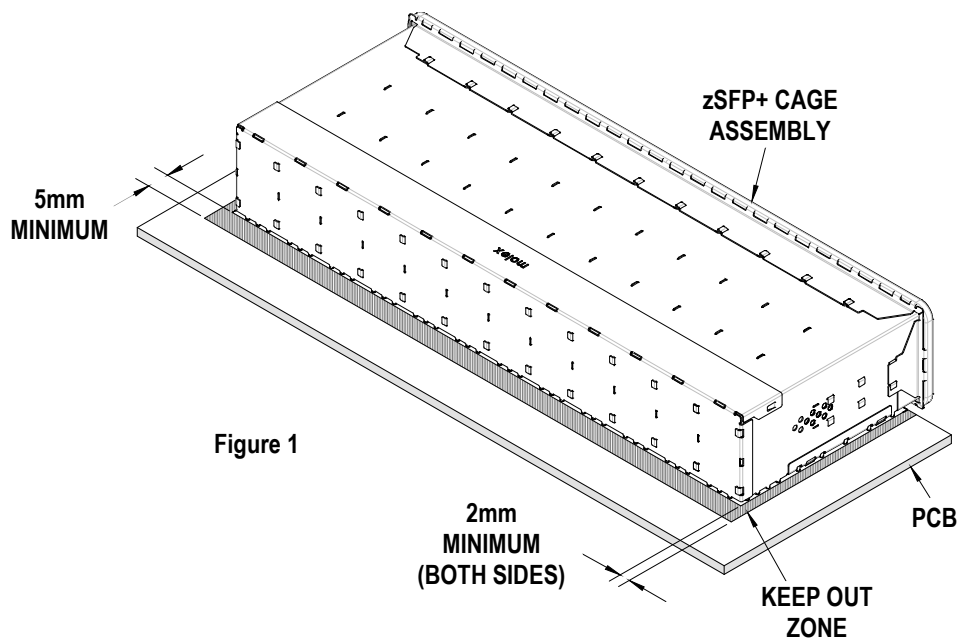


Figure 1

Description

The following instructions are used for inserting the 2-by-12 connector into a PCB:

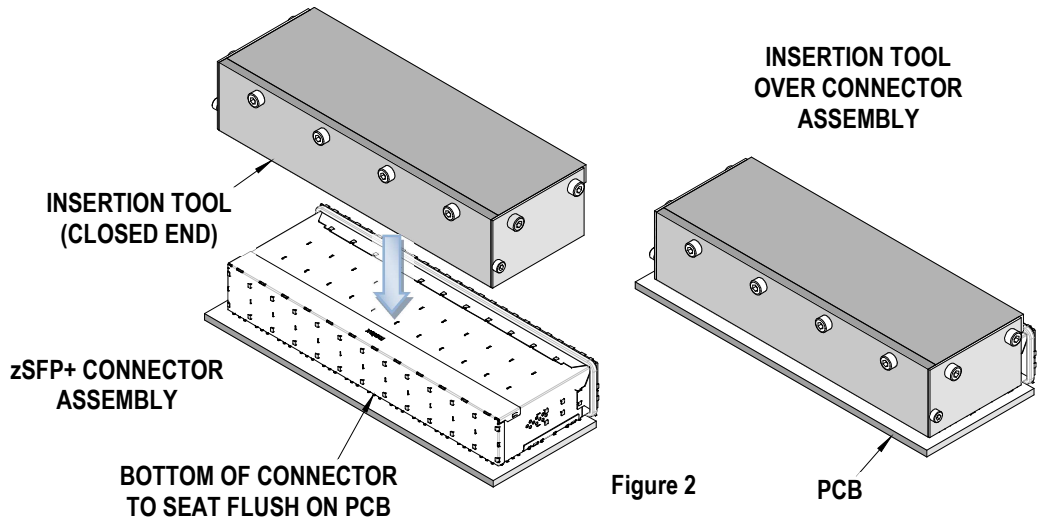


Figure 2

Operation

1. Place a connector assembly on the PCB.
2. Place the tool on the connector assembly (closed end to the back end of the connector). See Figure 2.
3. Place tool, connector and PCB in a press of suitable size and force, and seat the connector assembly as shown. The support plate (furnished by the customer) under the PCB must have clearance for the connector pins as they pass through the PCB.

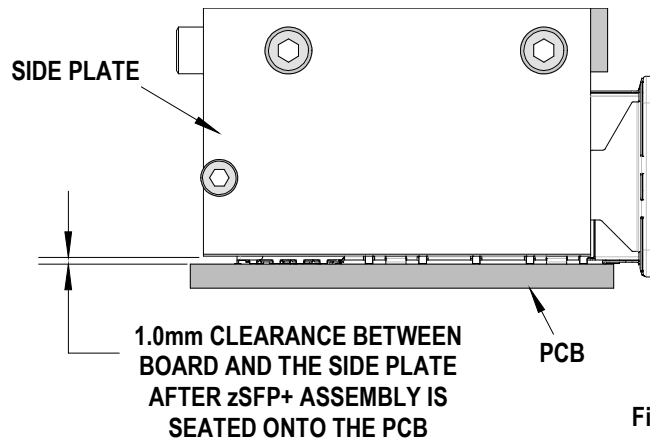


Figure 3

Clearance

Use this tool only with a press that has a predetermined shut height when seating a zSFP+ assembly on a PCB. See Figure 3. Allowing the press-in tool to stop on the board will result in damage to the zSFP+ cage and the terminals being overseated.

CAUTION: Molex application tooling specifications are valid only when used with Molex connectors and tooling.

Application Tooling Support

Phone: (402) 458-TOOL (8665)

E-Mail: applicationtooling@molex.com

Website: www.molex.com/applicationtooling

Molex is a registered trademark of Molex, LLC in the United States of America and may be registered in other countries; all other trademarks listed herein belong to their respective owners.