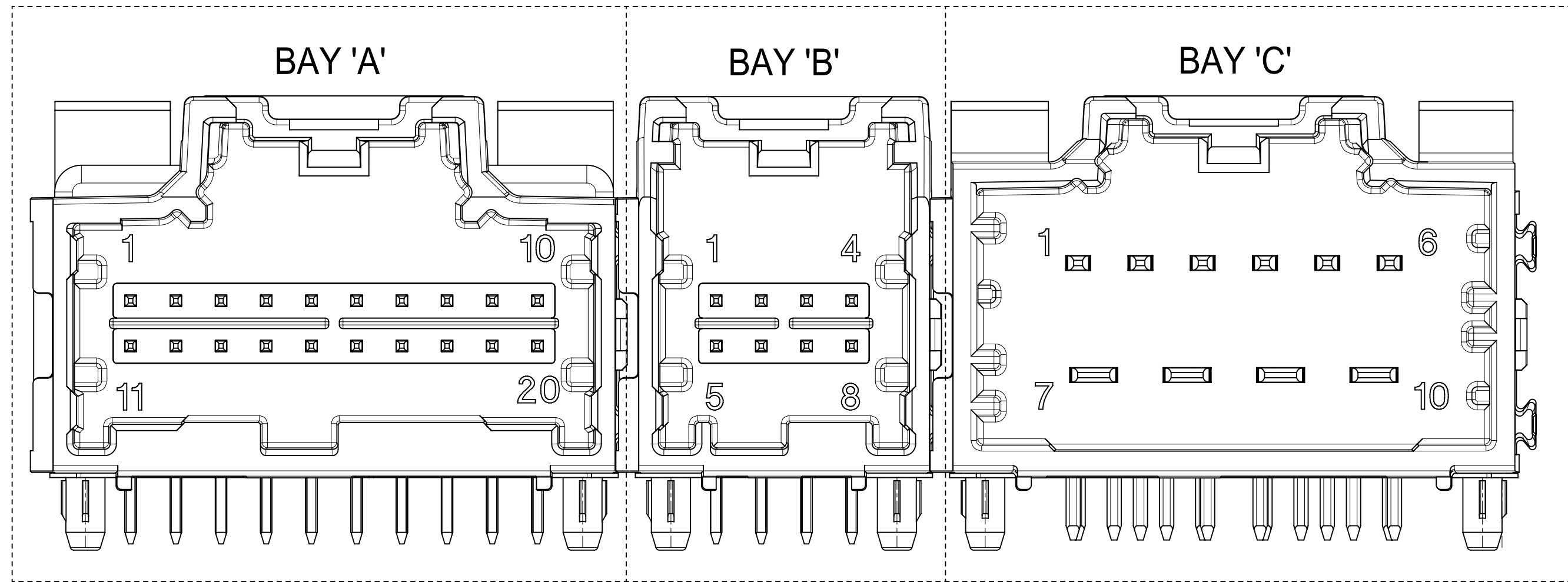


# 3-BAY STAC64 RIGHT ANGLE HEADER ASSEMBLY (P/N: 34708-3040 SHOWN)



NOTES: VALID UNLESS OTHERWISE SPECIFIED

1. GENERAL:

a. CONNECTOR HEADER MUST BE VALIDATED TO THE FOLLOWING FUNCTIONAL REQUIREMENTS:

PRODUCT SPECIFICATION:  
8-20 CKT 0.64 PRODUCT SPEC: PS-34729-020/PS-31408-100  
10/14 CKT HYBRID PRODUCT SPEC: PS-31372-100

b. APPLICATION REQUIREMENTS (REFERENCE ONLY):

APPLICATION SPECIFICATION: AS-34729-020/AS-31408-100

c. PACKAGING SPECIFICATION PER MOLEX DRAWING PK-31300-892 (TRAY)  
d. PACKAGING SPECIFICATION PER MOLEX DRAWING PK-31301-063 (TUBE)

2. DESIGN: MATERIALS:

a. SHROUD (PLASTIC HOUSING):  
RESIN - SPS 30%GF  
COLOR:  
POL A - BLACK  
POL B - GRAY  
POL C - BROWN  
POL D - GREEN

b. 0.64mm PINS:  
BASE MATERIAL: C26000  
PLATING TYPE: AS NOTED

1.50/2.80mm BLADES:  
BASE MATERIAL: C19400  
PLATING TYPE: AS NOTED

3. PLATING REQUIREMENTS:

a. UNDERPLATING - OVERALL NICKEL

b. OVERPLATING - OVERALL TIN

4. FOR DESCRIPTION OF INDIVIDUAL BAYS, REFER TO THE FOLLOWING

SINGLE BAY DRAWINGS:  
8-20 CKT 0.64: SD-34691-100  
10 CKT HYBRID: SD-34696-100  
14 CKT HYBRID: SD-34773-010

| SYMBOLS |     |  |        |                               |                   |         |  |        |  | THIS DRAWING CONTAINS INFORMATION THAT IS PROPRIETARY TO MOLEX ELECTRONIC TECHNOLOGIES, LLC AND SHOULD NOT BE USED WITHOUT WRITTEN PERMISSION |  |                |  |              |  |  |  |  |  |
|---------|-----|--|--------|-------------------------------|-------------------|---------|--|--------|--|---|--|----------------|--|--------------|--|--|--|--|--|
|         | = 0 | mm   | SCALE  | 1:1                           | CURRENT REV DESC: |         |  |        |  | <b>molex</b>  |  |                |  |              |  |  |  |  |  |
|         | = 0 | GENERAL TOLERANCES (UNLESS SPECIFIED)                |        | EC NO: 612618                 |                   |         |  |        |  |   |  |                |  |              |  |  |  |  |  |
|         | = 0 | ANGULAR TOL ± 1.0°                                   |        | DRWN: SHANDITHAVAL 2019/02/22 |                   |         |  |        |  |   |  |                |  |              |  |  |  |  |  |
|         | = 0 | 4 PLACES   | ±      | CHK'D: RBAUMAN 2019/02/23     |                   |         |  |        |  |   |  |                |  |              |  |  |  |  |  |
|         | = 0 | 3 PLACES   | ±      | APPR: RBAUMAN 2019/02/23      |                   |         |  |        |  |   |  |                |  |              |  |  |  |  |  |
|         | = 0 | 2 PLACES   | ± 0.13 | INITIAL REVISION:             |                   |         |  |        |  |   |  |                |  |              |  |  |  |  |  |
|         | = 0 | 1 PLACE  | ± 0.25 | DRWN: JDUNAJ 2009/03/10       |                   |         |  |        |  |   |  |                |  |              |  |  |  |  |  |
|         | = 0 | 0 PLACES   | ±      | APPR: SMARCEAU 2009/03/11     |                   |         |  |        |  |   |  |                |  |              |  |  |  |  |  |
|         | = 0 | DRAFT WHERE APPLICABLE MUST REMAIN WITHIN DIMENSIONS |        | THIRD ANGLE PROJECTION        |                   | DRAWING |  | SERIES |  | MATERIAL NUMBER   |  | CUSTOMER       |  | SHEET NUMBER |  |  |  |  |  |
|         | = 0 |  |        |                               |                   | D-SIZE  |  | 34708  |  | SD-34708-300  |  | GENERAL MARKET |  | 1 OF 6       |  |  |  |  |  |

DIMENSIONAL CHART FOR MULTIBAY CONFIGURATION:

| 3 BAY PART NUMBER (TUBE PKG) | 3 BAY PART NUMBER (TRAY PKG) | BAY A |        |     | BAY B |        |     | BAY C |        |     | DIM 'A' | DIM 'B' | DIM 'C' | DIM 'D' | DIM 'E' |
|------------------------------|------------------------------|-------|--------|-----|-------|--------|-----|-------|--------|-----|---------|---------|---------|---------|---------|
|                              |                              | CKT   | TYPE   | POL | CKT   | TYPE   | POL | CKT   | TYPE   | POL |         |         |         |         |         |
|                              | 34708-3000                   | 16    | 0.64mm | B   | 16    | 0.64mm | A   | 12    | 0.64mm | B   | 79.52   | 77.05   | 22.86   | 22.86   | 17.78   |
|                              | 34708-3001                   | 20    | 0.64mm | A   | 20    | 0.64mm | B   | 12    | 0.64mm | A   | 89.86   | 87.21   | 27.94   | 27.94   | 17.78   |
|                              | 34708-3002                   | 20    | 0.64mm | A   | 20    | 0.64mm | B   | 14    | HYBRID | C   | 99.84   | 97.37   | 27.94   | 27.94   | 27.94   |
|                              | 34708-3003                   | 10    | HYBRID | A   | 16    | 0.64mm | A   | 8     | 0.64mm | C   | 79.52   | 77.05   | 27.94   | 22.86   | 12.70   |
|                              | 34708-3004                   | 16    | 0.64mm | A   | 16    | 0.64mm | B   | 16    | 0.64mm | C   | 84.60   | 82.13   | 22.86   | 22.86   | 22.86   |
|                              | 34708-3006                   | 20    | 0.64mm | D   | 20    | 0.64mm | B   | 20    | 0.64mm | C   | 99.84   | 97.37   | 27.94   | 27.94   | 27.94   |
| TBD                          | 34708-3007                   | 20    | 0.64mm | A   | 12    | 0.64mm | A   | 20    | 0.64mm | D   | 89.68   | 87.21   | 27.94   | 17.78   | 27.94   |
| TBD                          | 347083008                    | 20    | 0.64mm | A   | 10    | HYBRID | B   | 10    | HYBRID | A   | 99.84   | 97.37   | 27.94   | 27.94   | 27.94   |
| 34708-8010                   | 34708-3010                   | 20    | 0.64mm | A   | 20    | 0.64mm | B   | 16    | 0.64mm | A   | 94.76   | 92.29   | 27.94   | 27.94   | 22.86   |
| TBD                          | 34708-3020                   | 10    | HYBRID | A   | 20    | 0.64mm | B   | 20    | 0.64mm | C   | 99.84   | 97.37   | 27.94   | 27.94   | 27.94   |
| TBD                          | 34708-3021                   | 10    | HYBRID | A   | 20    | 0.64mm | C   | 20    | 0.64mm | D   | 99.84   | 97.37   | 27.94   | 27.94   | 27.94   |
| TBD                          | 34708-3022                   | 20    | 0.64mm | B   | 16    | 0.64mm | C   | 10    | HYBRID | A   | 94.76   | 92.29   | 27.94   | 22.86   | 27.94   |
| TBD                          | 34708-3030                   | 16    | 0.64mm | A   | 12    | 0.64mm | A   | 10    | HYBRID | A   | 84.60   | 82.13   | 22.86   | 17.78   | 27.94   |
| TBD                          | 34708-3040                   | 20    | 0.64mm | A   | 8     | 0.64mm | A   | 10    | HYBRID | A   | 84.60   | 82.13   | 27.94   | 12.70   | 27.94   |
| TBD                          | 34708-3050                   | 10    | HYBRID | A   | 16    | 0.64mm | B   | 16    | 0.64mm | C   | 89.68   | 87.21   | 27.94   | 22.86   | 22.86   |
| TBD                          | 34708-3060                   | 16    | 0.64mm | A   | 20    | 0.64mm | C   | 20    | 0.64mm | D   | 94.76   | 92.29   | 22.86   | 27.94   | 27.94   |
| 34708-8070                   | 34708-3070                   | 20    | 0.64mm | A   | 20    | 0.64mm | B   | 10    | HYBRID | A   | 99.84   | 97.37   | 27.94   | 27.94   | 27.94   |
| TBD                          | 34708-3071                   | 20    | 0.64mm | A   | 10    | HYBRID | A   | 10    | HYBRID | B   | 99.84   | 97.37   | 27.94   | 27.94   | 27.94   |
| TBD                          | 34708-3080                   | 12    | 0.64mm | A   | 12    | 0.64mm | B   | 16    | 0.64mm | A   | 74.44   | 71.97   | 17.78   | 17.78   | 22.86   |
| TBD                          | 34708-3081                   | 20    | 0.64mm | D   | 12    | 0.64mm | B   | 20    | 0.64mm | C   | 89.68   | 87.21   | 27.94   | 17.78   | 27.94   |
| TBD                          | 34708-3082                   | 12    | 0.64mm | C   | 8     | 0.64mm | A   | 8     | 0.64mm | B   | 59.20   | 56.73   | 17.78   | 12.70   | 12.70   |
| TBD                          | 34708-3083                   | 8     | 0.64mm | C   | 16    | 0.64mm | B   | 16    | 0.64mm | C   | 74.44   | 71.97   | 12.70   | 22.86   | 22.86   |
| TBD                          | 34708-3084                   | 16    | 0.64mm | A   | 8     | 0.64mm | A   | 8     | 0.64mm | B   | 64.28   | 61.81   | 22.86   | 12.70   | 12.70   |
| TBD                          | 34708-3085                   | 20    | 0.64mm | A   | 20    | 0.64mm | B   | 20    | 0.64mm | C   | 99.84   | 97.37   | 27.94   | 27.94   | 27.94   |
| TBD                          | 34708-3086                   | 20    | 0.64mm | A   | 20    | 0.64mm | B   | 8     | 0.64mm | A   | 84.60   | 82.13   | 27.94   | 27.94   | 12.70   |
| TBD                          | 34708-3087                   | 20    | 0.64mm | A   | 16    | 0.64mm | A   | 8     | 0.64mm | A   | 79.52   | 77.05   | 27.94   | 22.86   | 12.70   |
| TBD                          | 34708-3088                   | 12    | 0.64mm | A   | 16    | 0.64mm | A   | 12    | 0.64mm | B   | 74.44   | 71.97   | 17.78   | 22.86   | 17.78   |
| TBD                          | 34708-3089                   | 16    | 0.64mm | A   | 16    | 0.64mm | B   | 20    | 0.64mm | A   | 89.68   | 87.21   | 22.86   | 22.86   | 27.94   |
| TBD                          | 34708-3090                   | 16    | 0.64mm | C   | 16    | 0.64mm | A   | 8     | 0.64mm | B   | 74.44   | 71.97   | 22.86   | 22.86   | 12.70   |
| TBD                          | 34708-3091                   | 20    | 0.64mm | C   | 12    | 0.64mm | C   | 16    | 0.64mm | B   | 84.60   | 82.13   | 27.94   | 17.78   | 22.86   |
| TBD                          | 34708-3092                   | 12    | 0.64mm | B   | 8     | 0.64mm | C   | 20    | 0.64mm | D   | 74.44   | 71.97   | 17.78   | 12.70   | 27.94   |
| TBD                          | 34708-3093                   | 16    | 0.64mm | B   | 16    | 0.64mm | A   | 8     | 0.64mm | A   | 74.44   | 71.97   | 22.86   | 22.86   | 12.70   |
| TBD                          | 34708-3094                   | 20    | 0.64mm | D   | 20    | 0.64mm | B   | 8     | 0.64mm | A   | 84.60   | 82.13   | 27.94   | 27.94   | 12.70   |
| TBD                          | 34708-3095                   | 20    | 0.64mm | A   | 16    | 0.64mm | C   | 12    | 0.64mm | B   | 84.60   | 82.13   | 27.94   | 22.86   | 17.78   |
| TBD                          | 34708-3096                   | 16    | 0.64mm | A   | 16    | 0.64mm | B   | 20    | 0.64mm | C   | 89.68   | 87.21   | 22.86   | 22.86   | 27.94   |
| TBD                          | 34708-3097                   | 16    | 0.64mm | C   | 12    | 0.64mm | B   | 20    | 0.64mm | A   | 84.60   | 82.13   | 22.86   | 17.78   | 27.94   |
| TBD                          | 34708-3098                   | 20    | 0.64mm | B   | 20    | 0.64mm | C   | 20    | 0.64mm | D   | 99.84   | 97.37   | 27.94   | 27.94   | 27.94   |

|                               |   |                            |
|-------------------------------|---|----------------------------|
| SYMBOLS                       | THIS DRAWING CONTAINS INFORMATION THAT IS PROPRIETARY TO MOLEX ELECTRONIC TECHNOLOGIES, LLC AND SHOULD NOT BE USED WITHOUT WRITTEN PERMISSION |                            |
|                               | DIMENSION UNITS   | SCALE                      |
| = 0                           | mm  | 1:1                        |
| = 0                           | GENERAL TOLERANCES (UNLESS SPECIFIED)   |                            |
| = 0                           | ANGULAR TOL ± 1.0°  |                            |
| = 0                           | 4 PLACES  | ±                          |
| = 0                           | 3 PLACES  | ±                          |
| = 0                           | 2 PLACES  | ± 0.13                     |
| = 0                           | 1 PLACE   | ± 0.25                     |
| = 0                           | 0 PLACES  | ±                          |
| = 0                           | DRAFT WHERE APPLICABLE MUST REMAIN WITHIN DIMENSIONS  |                            |
| = 0                           | THIRD ANGLE PROJECTION  |                            |
| CURRENT REV DESC:             |   |                            |
| EC NO: 612618                 |   |                            |
| DRWN: SHANDITHAVAL 2019/02/22 |   |                            |
| CHK'D: RBAUMAN 2019/02/23     |   |                            |
| APPR: RBAUMAN 2019/02/23      |   |                            |
| INITIAL REVISION:             |   |                            |
| DRWN: JDUNAJ 2009/03/10       |   |                            |
| APPR: SMARCEAU 2009/03/11     |   |                            |
| DOCUMENT NUMBER               |   | DOC TYPE DOC PART REVISION |
| SD-34708-300                  |   | PSD 001 U8                 |
| MATERIAL NUMBER               |   | CUSTOMER                   |
| SERIES                        |   | SHEET NUMBER               |
| D-SIZE 34708                  |   | GENERAL MARKET 2 OF 6      |

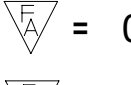
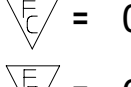
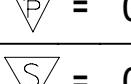

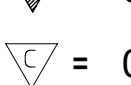
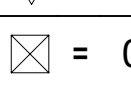

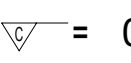
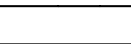



3-BAY STAC64 RIGHT ANGLE HEADER ASSEMBLY SALES DRAWING

PRODUCT CUSTOMER DRAWING

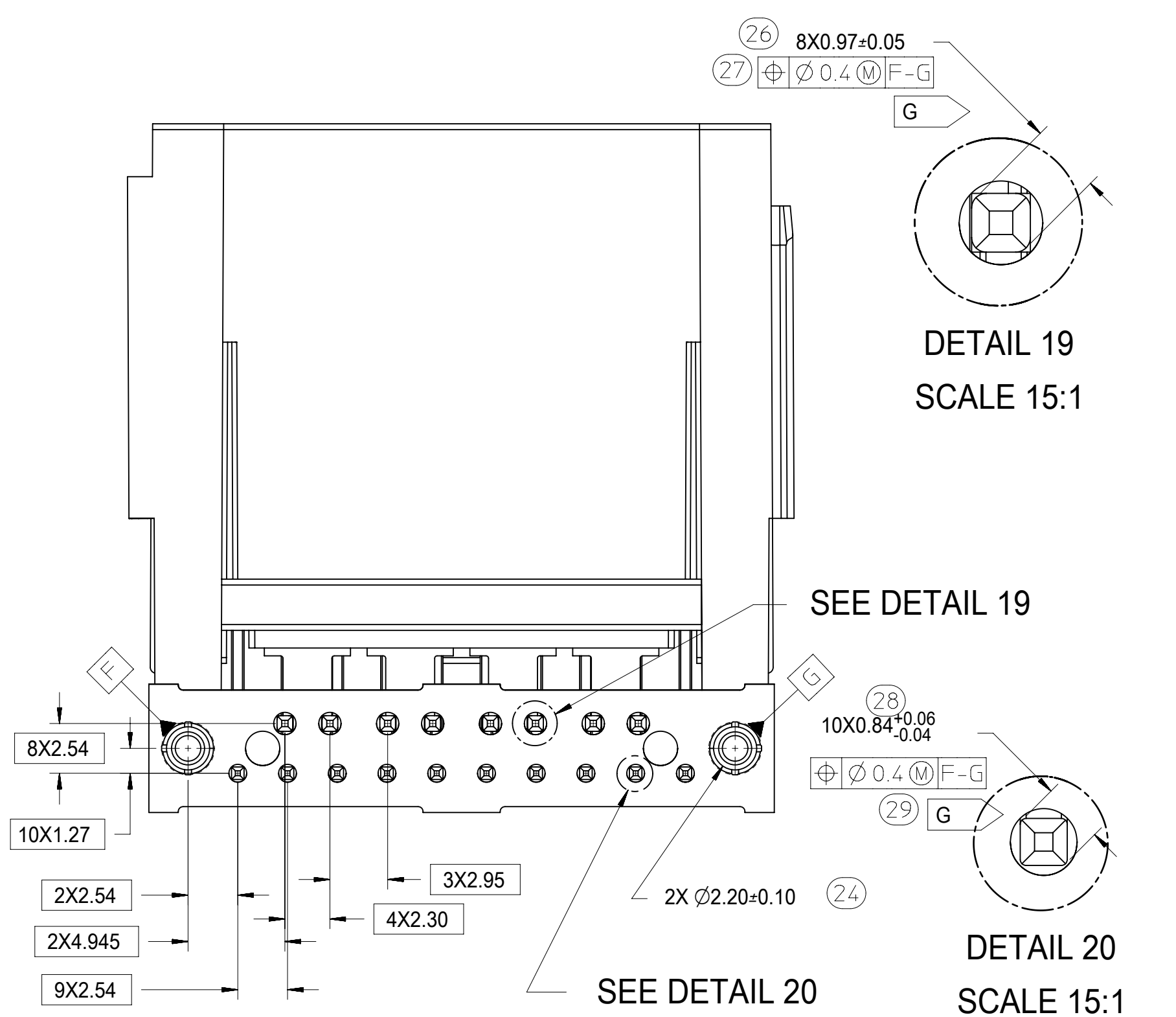
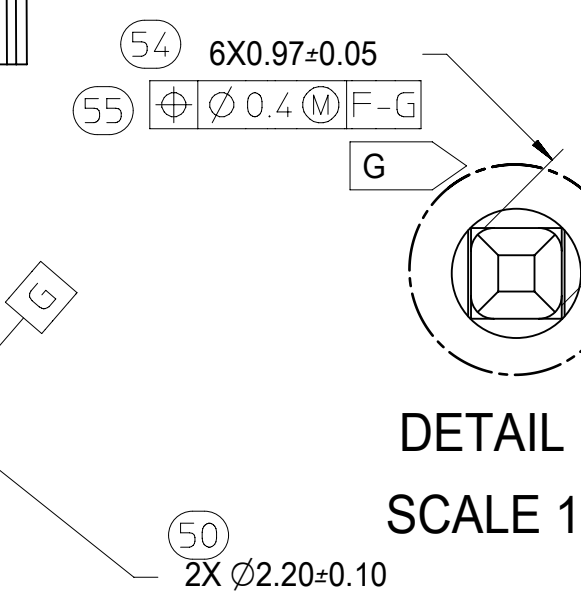
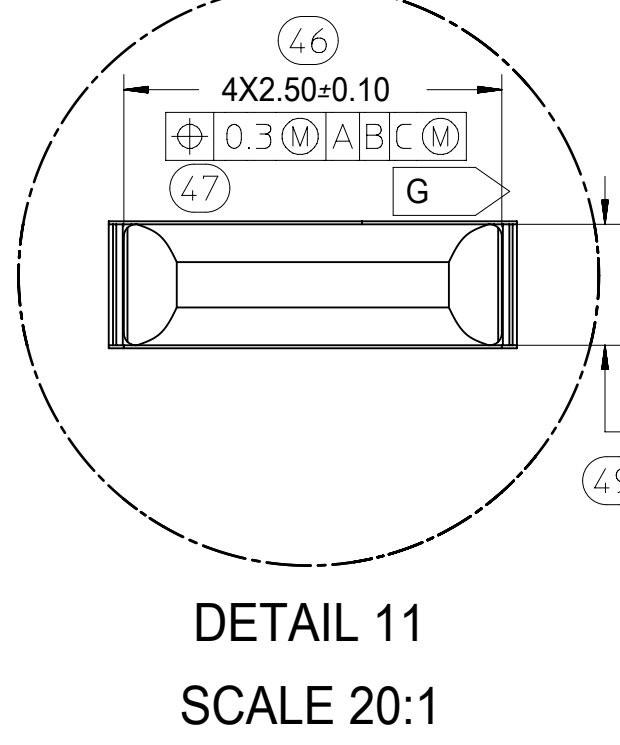
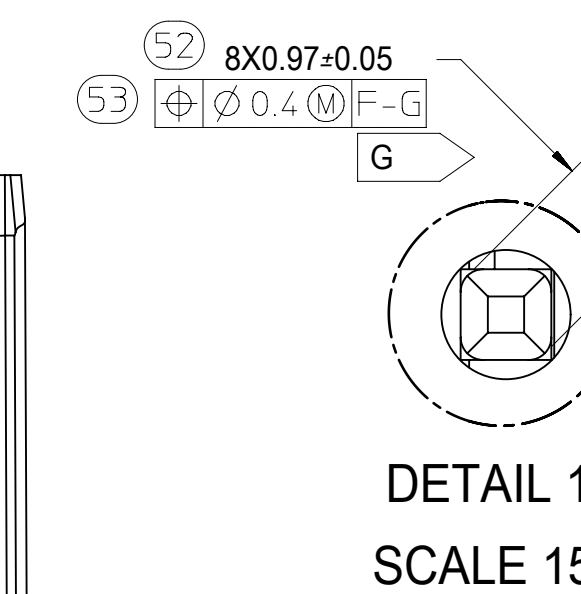
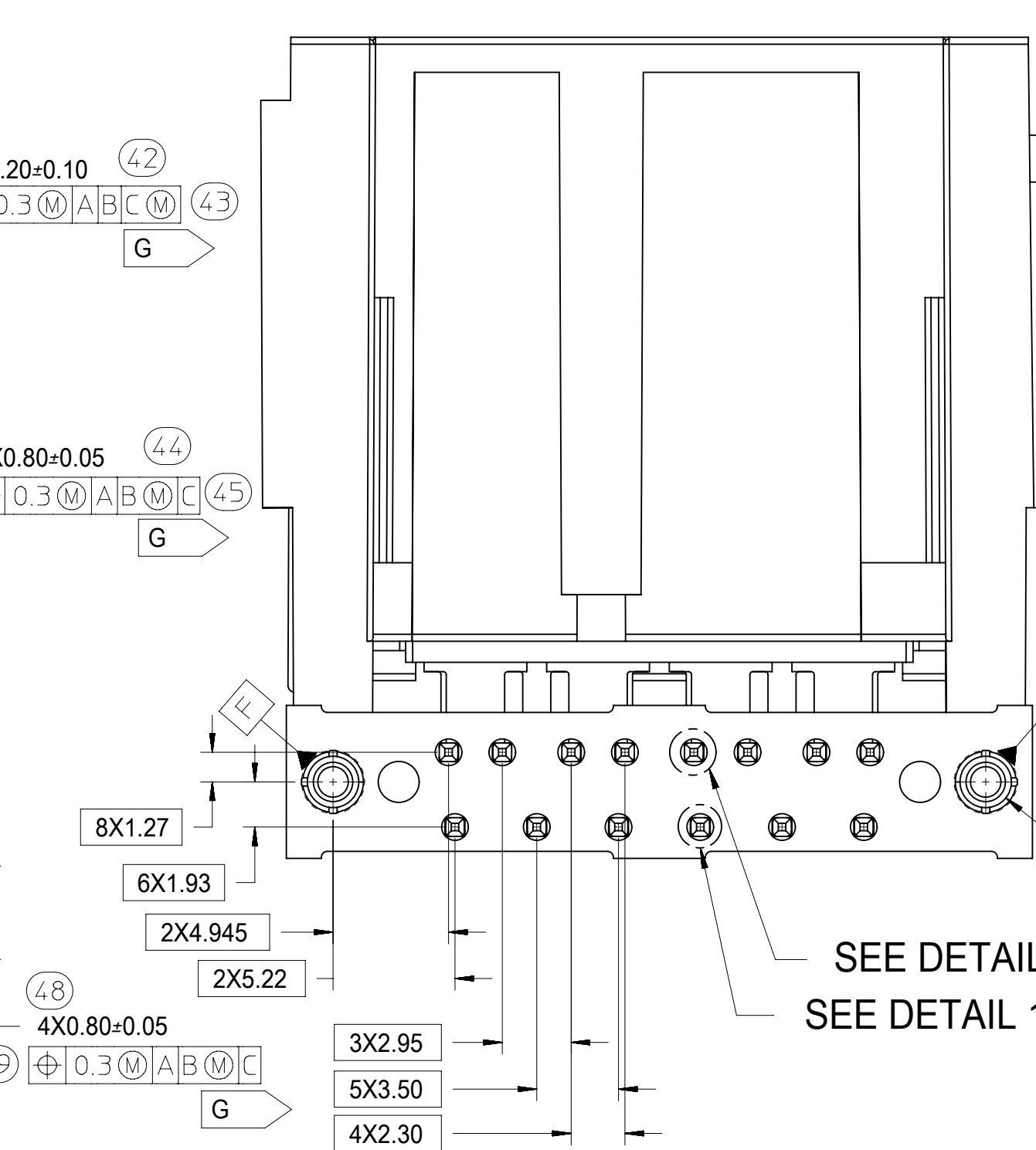
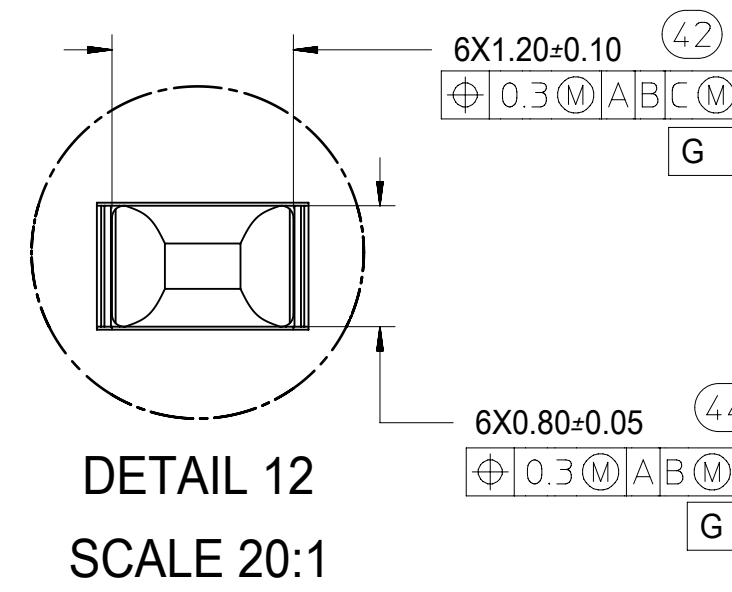
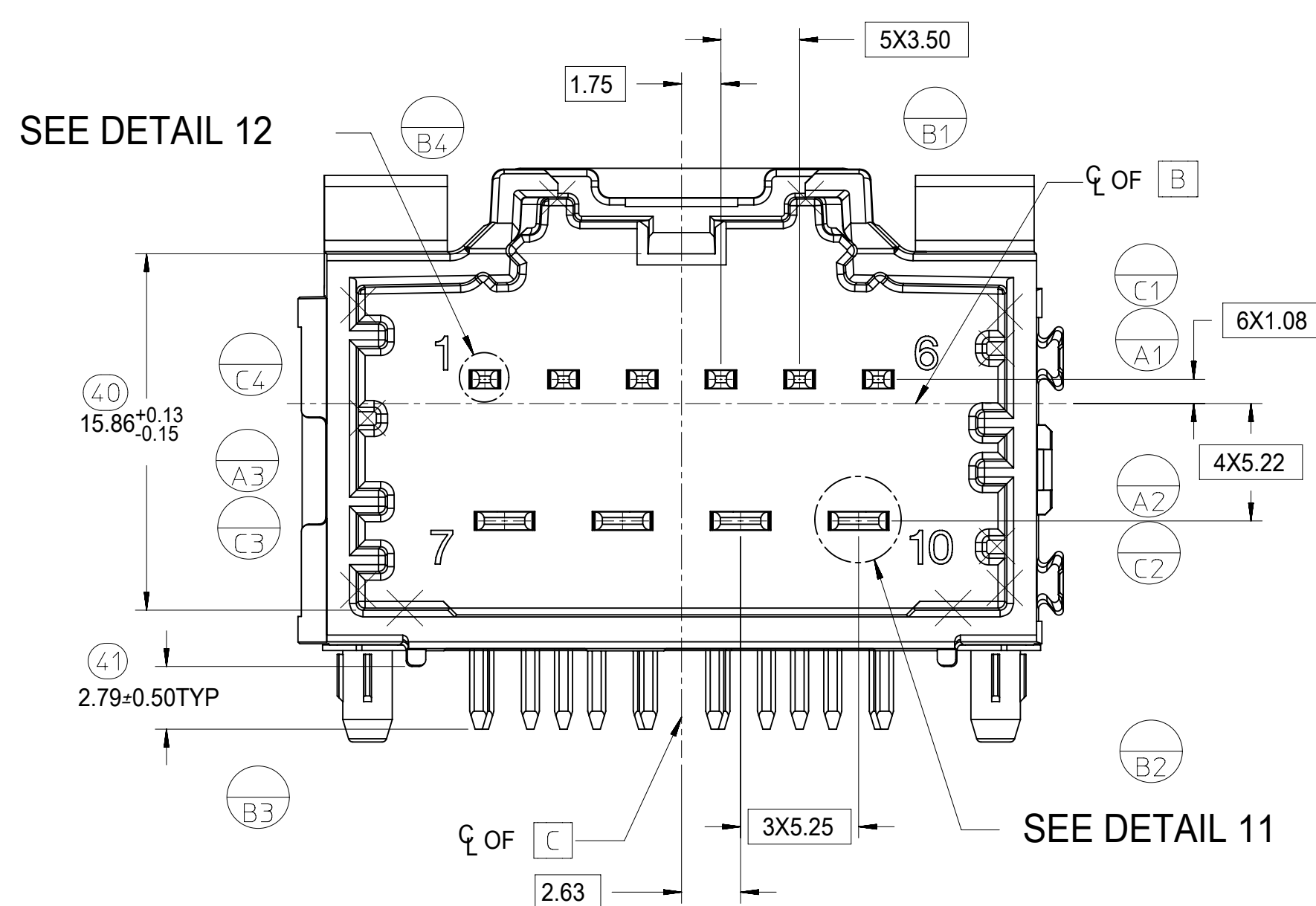
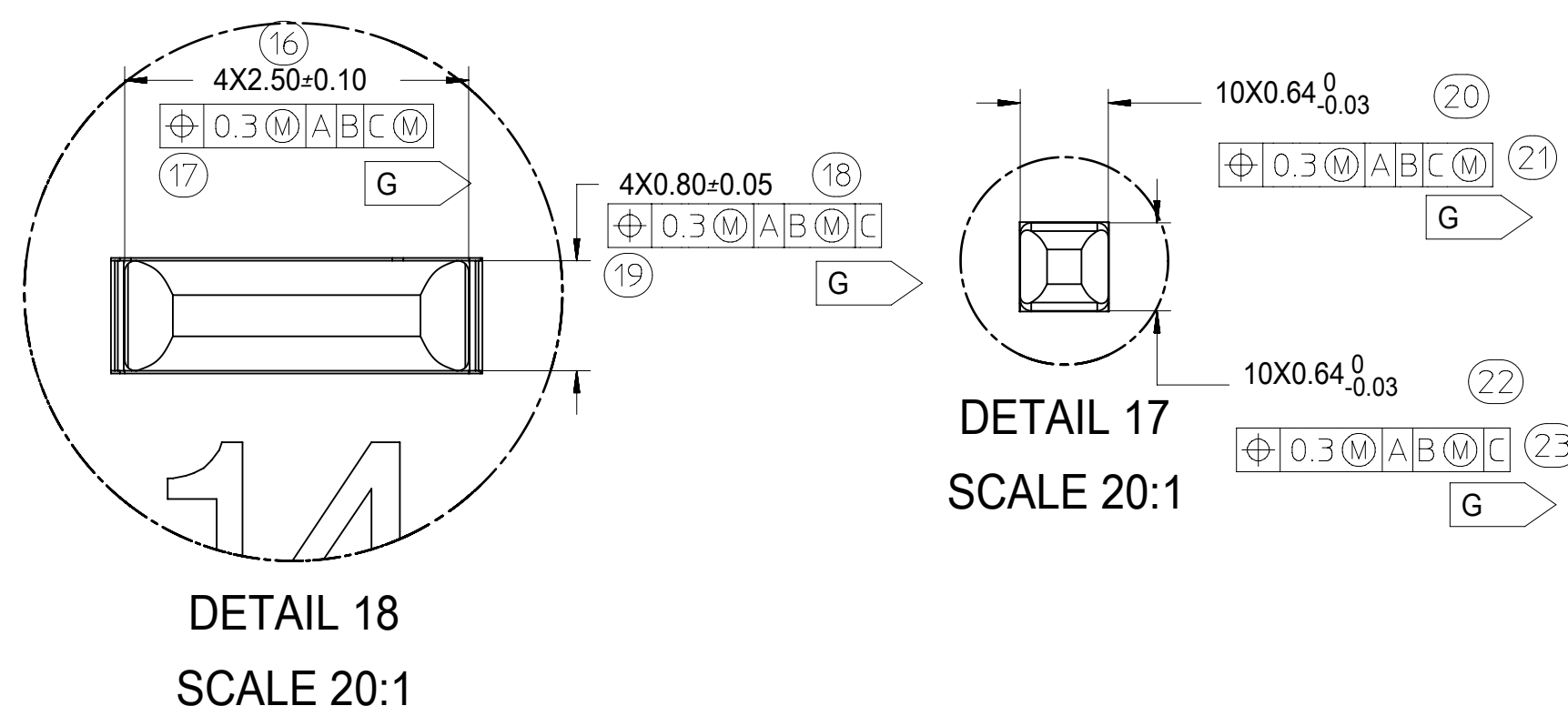
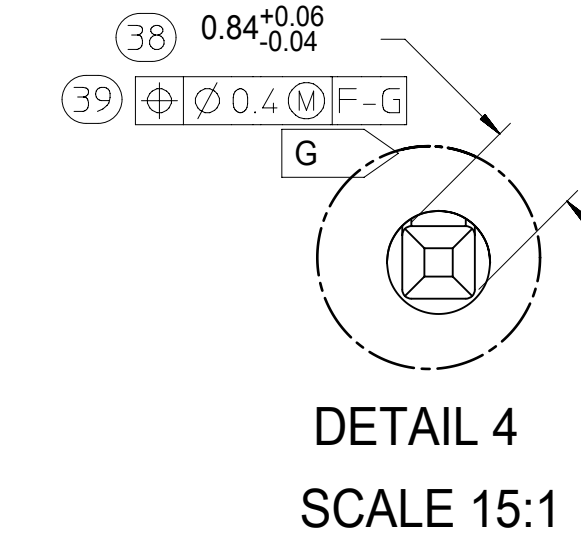
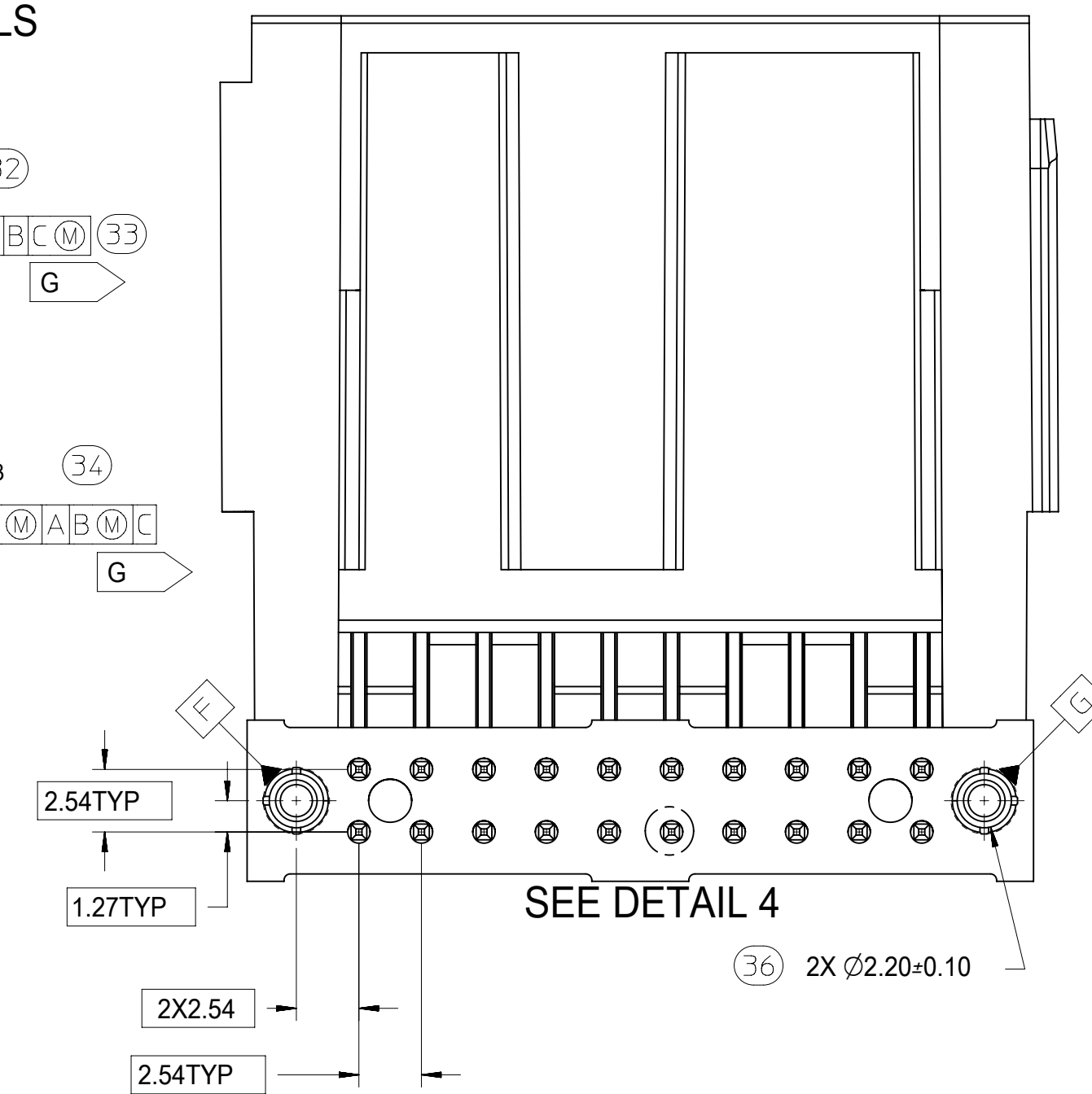
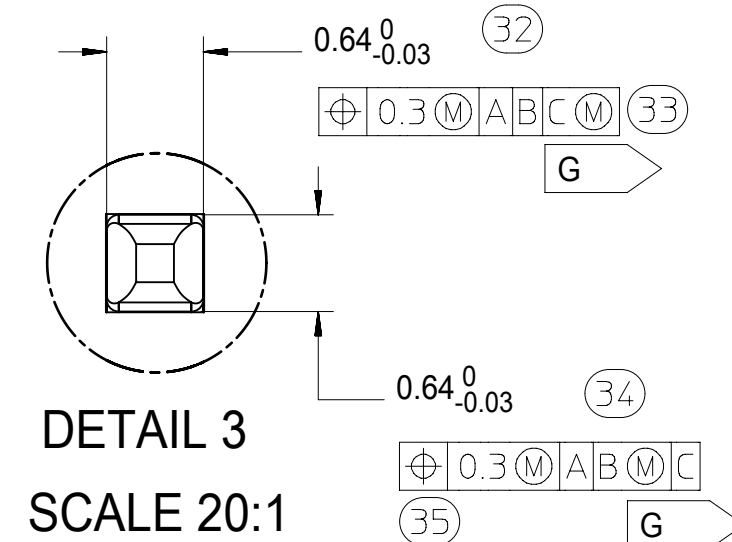
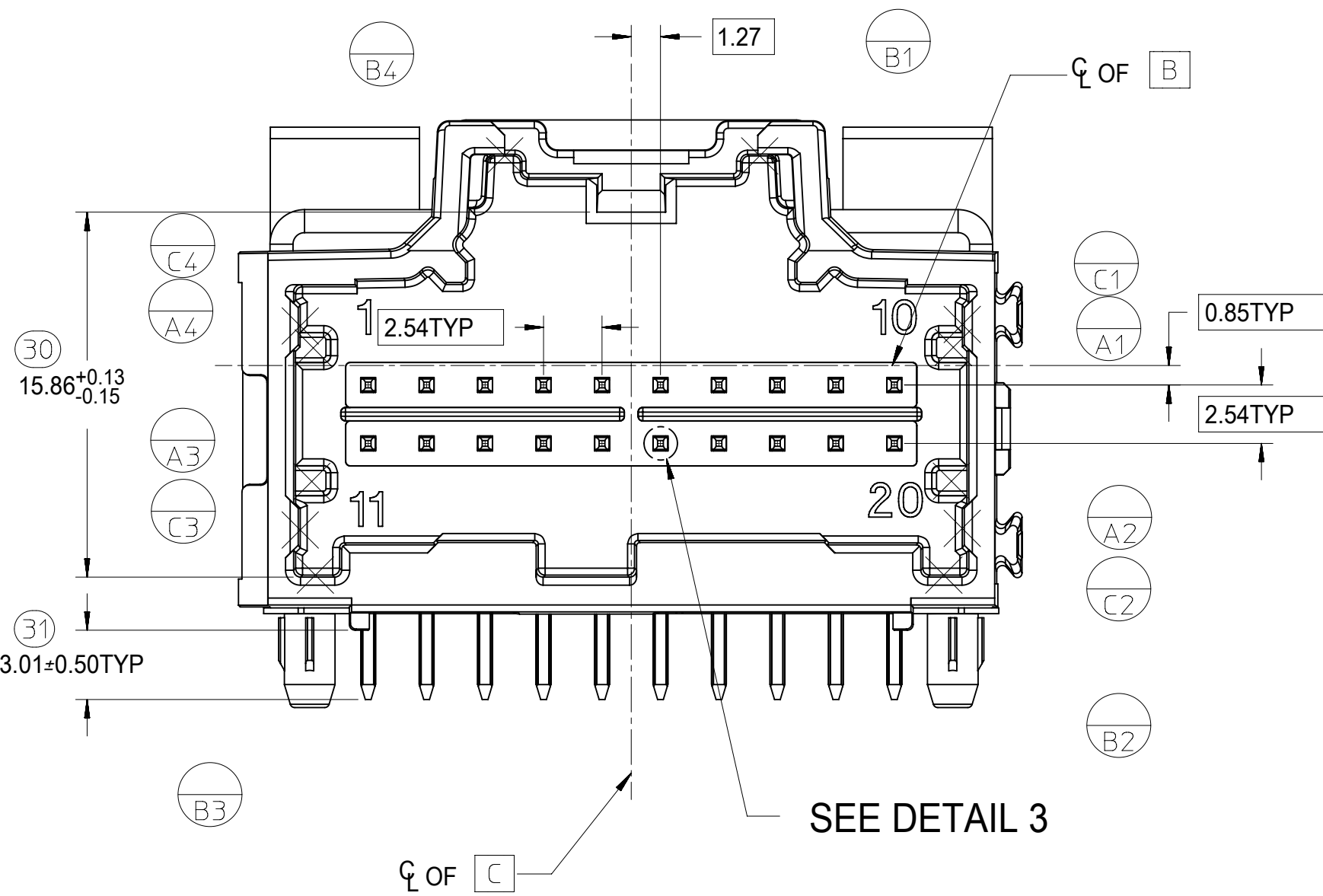
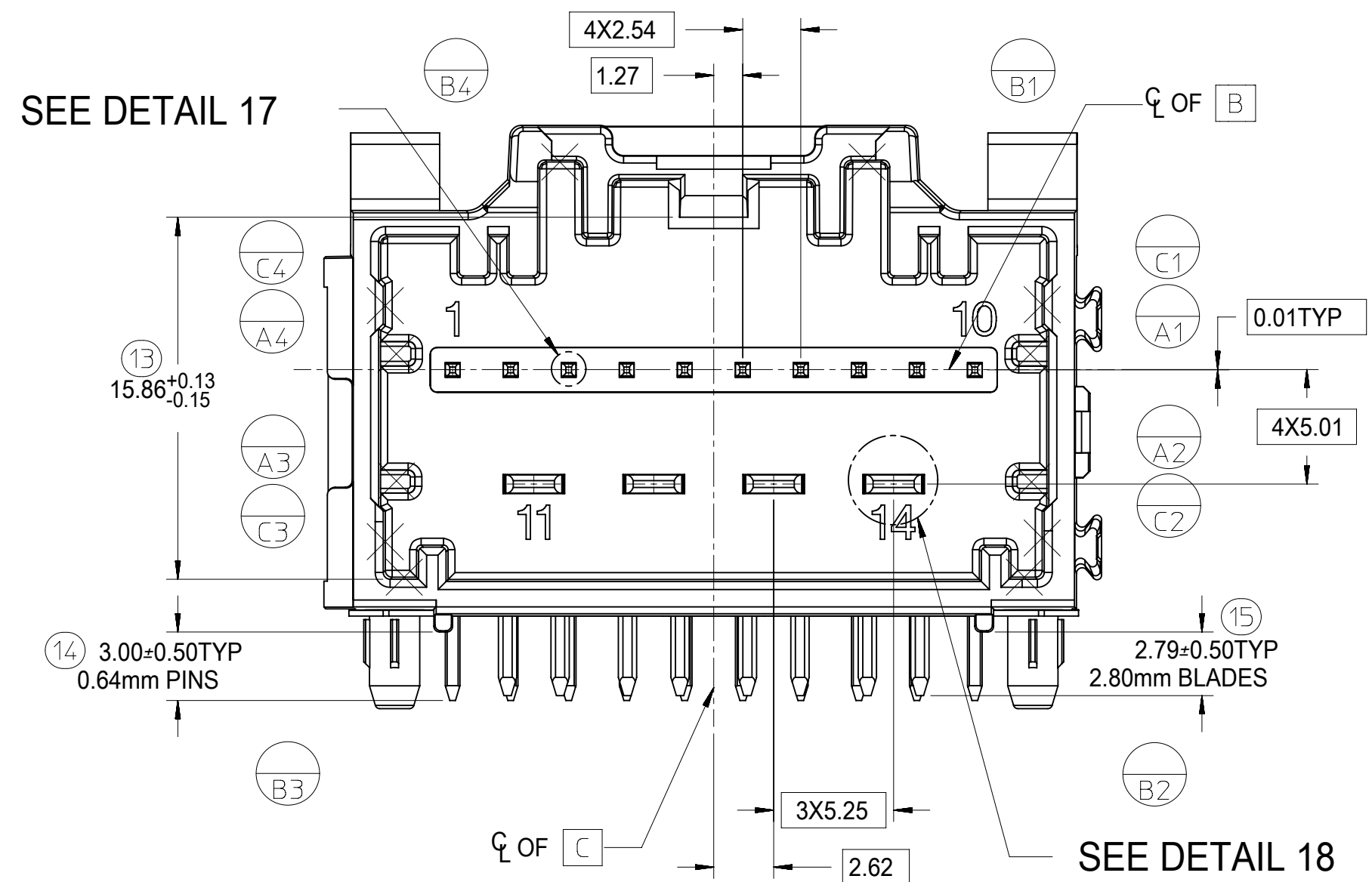
DIMENSIONAL CHART FOR MULTIBAY CONFIGURATION:

| 3 BAY PART NUMBER (TUBE PKG) | 3 BAY PART NUMBER (TRAY PKG) | BAY A |        |     | BAY B |        |     | BAY C |        |     | DIM 'A' | DIM 'B' | DIM 'C' | DIM 'D' | DIM 'E' |
|------------------------------|------------------------------|-------|--------|-----|-------|--------|-----|-------|--------|-----|---------|---------|---------|---------|---------|
|                              |                              | CKT   | TYPE   | POL | CKT   | TYPE   | POL | CKT   | TYPE   | POL |         |         |         |         |         |
|                              | 34708-3099                   | 10    | HYBRID | A   | 20    | 0.64mm | D   | 10    | HYBRID | B   | 99.84   | 97.37   | 27.94   | 27.94   | 27.94   |

|   |   |                                       |         |  |        |  |                 |  |          |  |   |          |          |
|---|---|---------------------------------------|---------|--|--------|--|-----------------|--|----------|--|---|----------|----------|
| SYMBOLS   | THIS DRAWING CONTAINS INFORMATION THAT IS PROPRIETARY TO MOLEX ELECTRONIC TECHNOLOGIES, LLC AND SHOULD NOT BE USED WITHOUT WRITTEN PERMISSION |                                       |         |  |        |  |                 |  |          |  |   |          |          |
|   |  = 0   | DIMENSION UNITS                       | SCALE   | CURRENT REV DESC:                                    |        |  |                 |  |          |  | <b>molex</b>  |          |          |
|   |  = 0   | mm                                    | 1:1     | EC NO: 612618  |        |  |                 |  |          |  |   |          |          |
|   |  = 0   | GENERAL TOLERANCES (UNLESS SPECIFIED) |         | DRWN: SHANDITHAVAL 2019/02/22                        |        |  |                 |  |          |  | 3-BAY STAC64 RIGHT ANGLE<br>HEADER ASSEMBLY SALES DRAWING |          |          |
|   |  = 0   | ANGULAR TOL ± 1.0°                    |         | CHK'D: RBAUMAN 2019/02/23                            |        |  |                 |  |          |  |   |          |          |
|   |  = 0   | 4 PLACES                              | ±       | APPR: RBAUMAN 2019/02/23                             |        |  |                 |  |          |  | PRODUCT CUSTOMER DRAWING                                  |          |          |
|   |  = 0   | 3 PLACES                              | ±       | INITIAL REVISION:                                    |        |  |                 |  |          |  | DOCUMENT NUMBER   |          |          |
|   |  = 0   | 2 PLACES                              | ± 0.13  | DRWN: JDUNAJ 2009/03/10                              |        |  |                 |  |          |  | SD-34708-300  |          |          |
|   |  = 0   | 1 PLACE                               | ± 0.25  | APPR: SMARCEAU 2009/03/11                            |        |  |                 |  |          |  | DOC TYPE  | DOC PART | REVISION |
|   |  = 0   | 0 PLACES                              | ±       | DRAFT WHERE APPLICABLE MUST REMAIN WITHIN DIMENSIONS |        |  |                 |  |          |  | PSD   | 001      | U8       |
|  = 0 | THIRD ANGLE PROJECTION  |                                       | DRAWING |  | SERIES |  | MATERIAL NUMBER |  | CUSTOMER |  | SHEET NUMBER  |          |          |
|   |    |                                       | D-SIZE  |  | 34708  |  | GENERAL MARKET  |  | 6 OF 6   |  |   |          |          |

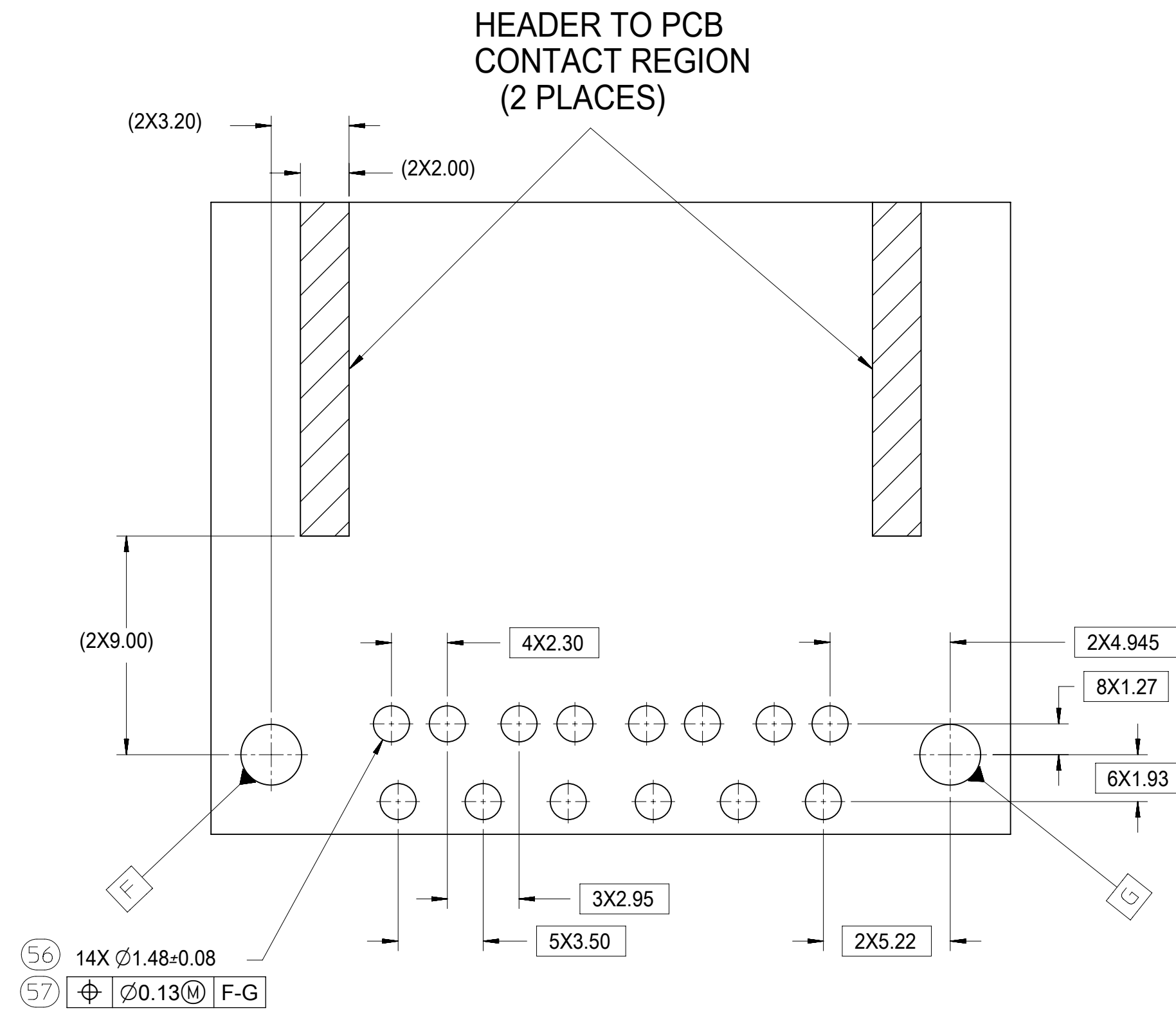


8-20 CKT 0.64mm HEADER DETAILS

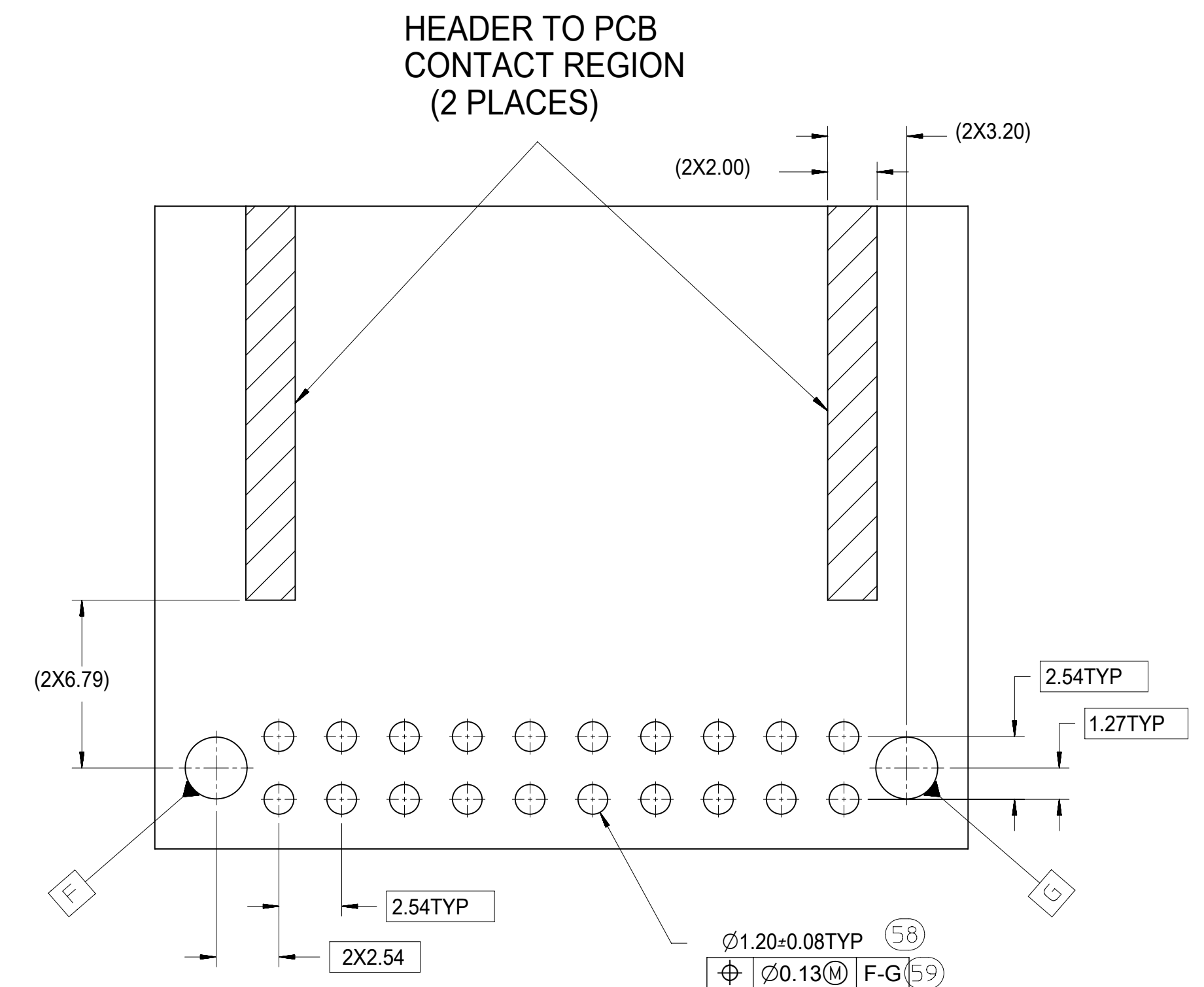


|                 |   |                     |                        |                |
|-----------------|---|---------------------|------------------------|----------------|
| SYMBOLS         | THIS DRAWING CONTAINS INFORMATION THAT IS PROPRIETARY TO MOLEX ELECTRONIC TECHNOLOGIES, LLC AND SHOULD NOT BE USED WITHOUT WRITTEN PERMISSION |                     | CURRENT REV DESC:      |                |
|                 | DIMENSION UNITS   | SCALE               |                        |                |
| ▽ = 0           | mm  | 1:1                 |                        |                |
| ▽ = 0           | GENERAL TOLERANCES (UNLESS SPECIFIED)   |                     |                        |                |
| ▽ = 0           | ANGULAR TOL ± 1.0°  |                     |                        |                |
| ▽ = 0           | 4 PLACES ±  |                     |                        |                |
| ▽ = 0           | 3 PLACES ±  |                     |                        |                |
| ▽ = 0           | 2 PLACES ± 0.13   |                     |                        |                |
| ▽ = 0           | 1 PLACE ± 0.25  |                     |                        |                |
| ▽ = 0           | 0 PLACES ±  |                     |                        |                |
| ▽ = 0           | DRAFT WHERE APPLICABLE MUST REMAIN WITHIN DIMENSIONS  |                     | THIRD ANGLE PROJECTION | DRAWING SERIES |
| ▽ = 0           |   |                     | D-SIZE                 | 34708          |
| DOCUMENT STATUS |   | RELEASE DATE        | MATERIAL NUMBER        |                |
| P1              |   | 2019/02/23 23:33:02 | SD-34708-300           |                |
|                 |   |                     | DOC TYPE               | DOC PART       |
|                 |   |                     | PSD                    | 001            |
|                 |   |                     | REVISION               | U8             |
|                 |   |                     | GENERAL MARKET         |                |
|                 |   |                     | SHEET NUMBER           |                |
|                 |   |                     | 4 OF 6                 |                |

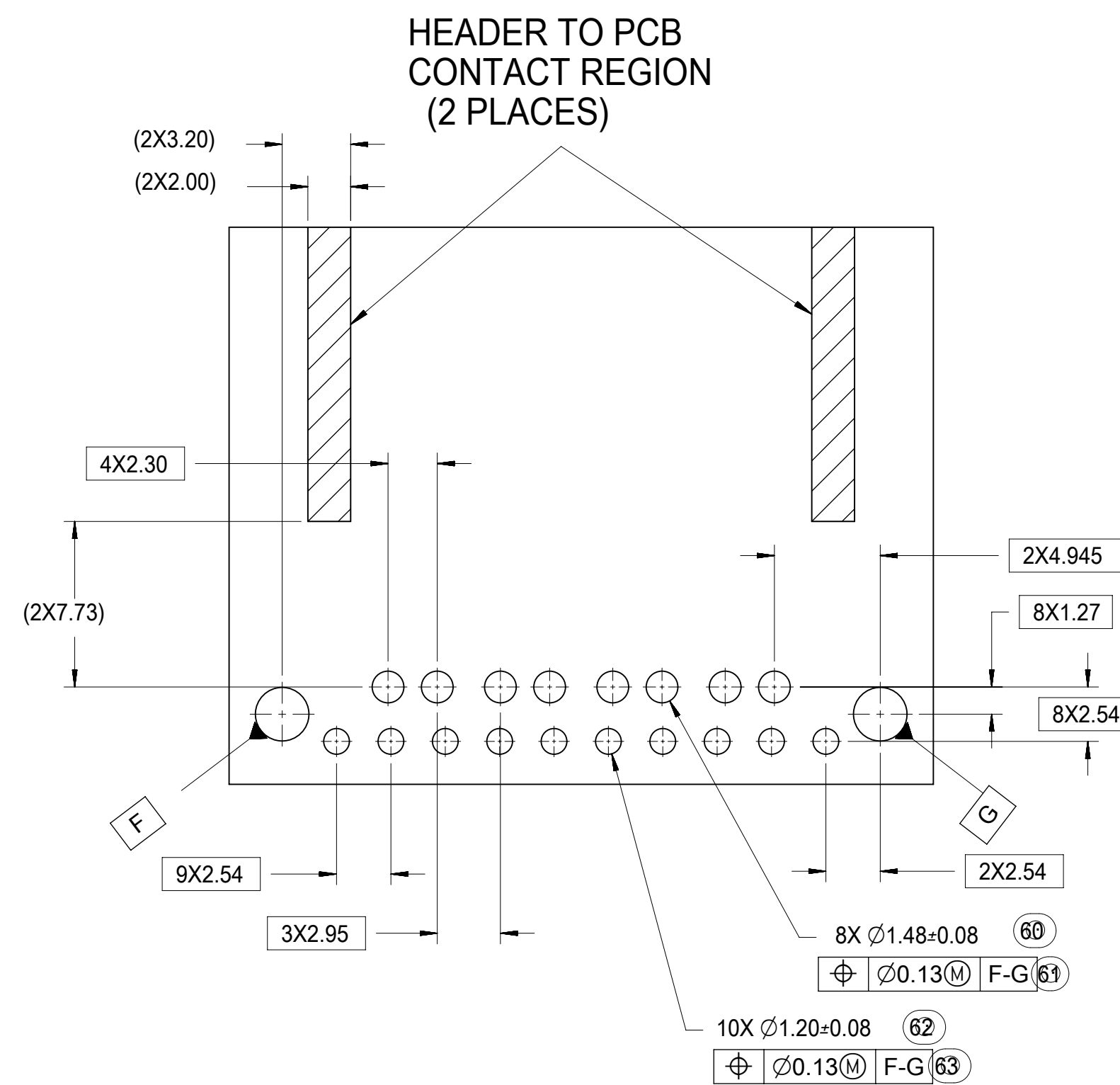
### 10 CKT HYBRID TEMPLATE PCB LAYOUT



### 8-20 CKT 0.64mm TEMPLATE PCB LAYOUT



### 14 CKT HYBRID TEMPLATE PCB LAYOUT



|         |   |                 |                               |
|---------|---|-----------------|-------------------------------|
| SYMBOLS | THIS DRAWING CONTAINS INFORMATION THAT IS PROPRIETARY TO MOLEX ELECTRONIC TECHNOLOGIES, LLC AND SHOULD NOT BE USED WITHOUT WRITTEN PERMISSION |                 |                               |
|         | DIMENSION UNITS   | SCALE           | CURRENT REV DESC:             |
| ▽ = 0   | mm  | 1:1             |                               |
| ▽ = 0   | GENERAL TOLERANCES (UNLESS SPECIFIED)   |                 |                               |
| ▽ = 0   | ANGULAR TOL   | ± 1.0°          |                               |
| ▽ = 0   | 4 PLACES  | ±               | EC NO: 612618                 |
| ▽ = 0   | 3 PLACES  | ±               | DRWN: SHANDITHAVAL 2019/02/22 |
| ▽ = 0   | 2 PLACES  | ± 0.13          | CHK'D: RBAUMAN 2019/02/23     |
| ▽ = 0   | 1 PLACE   | ± 0.25          | APPR: RBAUMAN 2019/02/23      |
| ▽ = 0   | 0 PLACES  | ±               | INITIAL REVISION:             |
| ▽ = 0   | DRAFT WHERE APPLICABLE MUST REMAIN WITHIN DIMENSIONS  |                 |                               |
| ▽ = 0   | THIRD ANGLE PROJECTION  | DRAWING         | DRWN: JDUNAJ 2009/03/10       |
|         |   | SERIES          | APPR: SMARCEAU 2009/03/11     |
|         |   | D-SIZE          | 34708                         |
|         |   | MATERIAL NUMBER | CUSTOMER                      |
|         |   | GENERAL MARKET  | SHEET NUMBER                  |

**molex**

3-BAY STAC64 RIGHT ANGLE  
HEADER ASSEMBLY SALES DRAWING

PRODUCT CUSTOMER DRAWING

|                 |          |          |          |
|-----------------|----------|----------|----------|
| DOCUMENT NUMBER | DOC TYPE | DOC PART | REVISION |
| SD-34708-300    | PSD      | 001      | U8       |