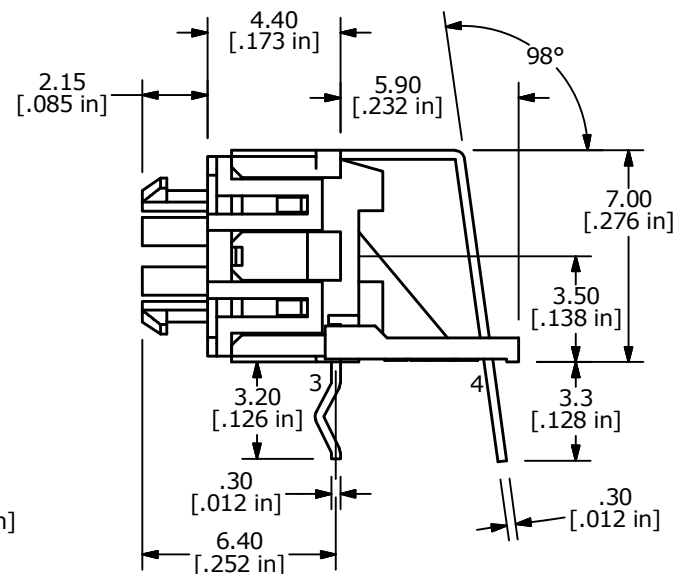
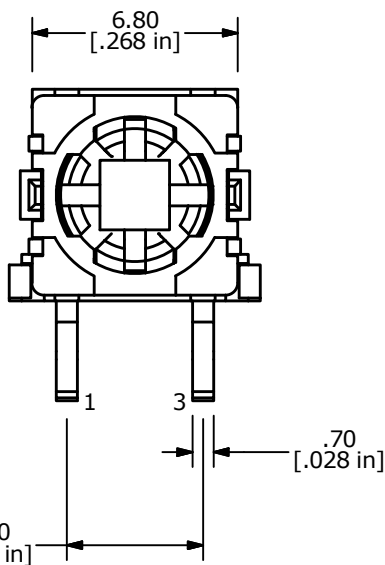
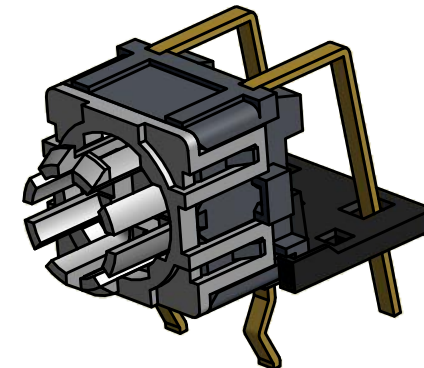


GOLD DOME  
P990004



NOTES:

1. ALL DIMENSIONS IN MM [INCH]
2. GENERAL TOLERANCE: X.X=±0.4  
X.XX=±0.25
3. RATING: 50mA @ 12VDC
4. CONTACT RESISTANCE: 100mΩ MAX.
5. INSULATION RESISTANCE: 100MΩ MIN.
6. OPERATING FORCE: 280 ± 70gf
7. TRAVEL: 0.2 ± 0.1mm
8. OPERATING TEMPERATURE: -20°C TO 70°C
9. OPERATING LIFE: 50,000 CYCLES
- ▲ 10. CONTACTS: GOLD.
11. ▲ DENOTES CRITICAL PARAMETERS
12. 2011/65/EU (ROHS) COMPLIANT
13. PARTS TO BE PACKAGED IN TRAYS,  
100 PIECES PER TRAY.



B	23179	UPDATED NOTE ..TRAYS TO TRAYS,100	1/22/18	MJR
A	21373	INITIAL RELEASE	2/7/14	EBP
REV	PCR NO	DESCRIPTION	DATE	BY

TITLE TL1250F280ARN				
SCALE	DATE	DR	DWG	REV
4:1	2/7/2014	EBP	P010842	B

THE INFORMATION CONTAINED IN THIS DOCUMENT IS PROPRIETARY TO E-SWITCH AND IS NOT TO BE COPIED OR TRANSFERRED