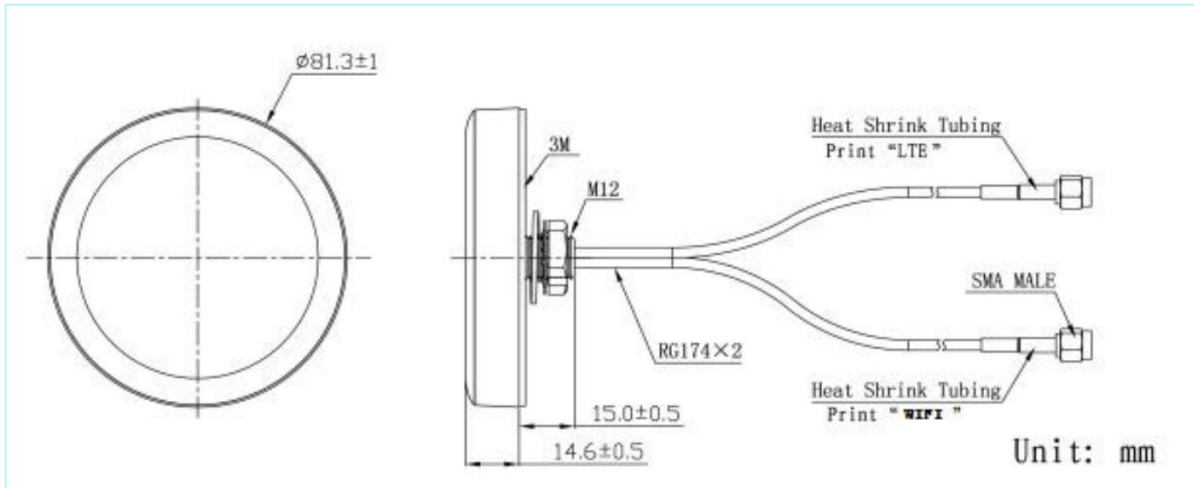


LTE+WIFI Combination Antenna screw mount

AN_LTE_GSM_WF_046LM



Mechanical dimension



LTE+WIFI Combination Antenna screw mount

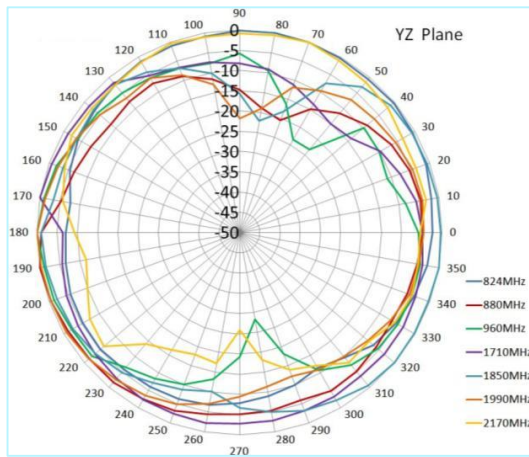
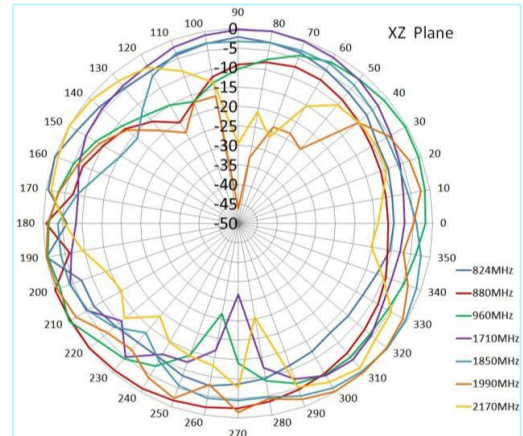
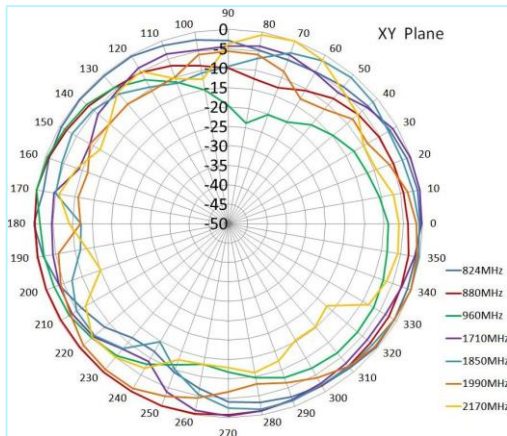
Specifications

Item	Specifications	
GSM Antenna	Frequency Range	698~960MHz/1710~2690MHz
	V.S.W.R	<3.0
	Polarization	Linear
	Gain	2.5dBi(Zenith)
	Impedance	50Ω
WIFI Antenna	Frequency Range	2400~2483.5MHz/4900~5825MHz
	Polarization	Linear
	Gain	3.0dBi (Zenith)
	V.S.W.R	<2.0
	Impedance	50Ω
Mechanical	Cable	5 meters
	Connector	SMA male for LTE,RP-SMA plug for WIFI
	Material	ABS
	Mounting Method	Screw
Environmental	Operating Temperature	-40℃~+85℃
	Relative Humidity	Up to 95%
	Ingress Protection	IP67(exclude cable outlet)
	Vibration	10 to 55Hz with 1.5mm amplitude 2hours
	Environmentally Friendly	ROHS Compliant

LTE+WIFI Combination Antenna screw mount

Radiation Patterns

GSM Part Pattern



LTE+WIFI Combination Antenna screw mount

Radiation Patterns

WIFI part Pattern

