

Product Change Notice

| | |
|-------------------------|---|
| Date: | February 2, 2021 |
| Overview: | Obsolescence of A2S130-AA03-33 |
| Reason for Change: | Low global usage |
| Affected Part No(s): | A2S130-AA03-33 |
| Design Change Detail: | Part number A2S130-AA03-33 is being discontinued due to low global usage. The suggested replacement is part number A2S130-AA03-39. |
| Effective Date: | A last time buy is available until 2/10/21 after which part number A2S130-AA03-33 will no longer be available to order |
| Last Time Buy Deadline: | 2/10/21 |
| Pricing: | N/A |
| ebm-papst employee: | Jeannine Zenobi |
| Attachments: | Datasheets for part numbers A2S130-AA03-33 and A2S130-AA03-39 |
| Comments: | Replacement part number A2S130-AA03-39 has UL approval (UL1004-1) whereas part number A2S130-AA03-33 did not. The wire types are also different. Please see attached datasheets for comparison. |

| | | |
|--------------------------------|---------------------------|-------------------------------|
| Form No: 1274 | Quality Record - No | Page 1 of 1 |
| Rev. - Orig, Released 08/28/14 | Retention Period - 1 year | Dept. Owner - Sales/Marketing |

AC axial fan

straight blades (A series)

ebm-papst Mulfingen GmbH & Co. KG

Bachmühle 2 · D-74673 Mulfingen

Phone +49 7938 81-0

Fax +49 7938 81-110

info1@de.ebmpapst.com

www.ebmpapst.com

Limited partnership · Headquarters Mulfingen

Amtsgericht (court of registration) Stuttgart · HRA 590344

General partner Elektrobau Mulfingen GmbH · Headquarters Mulfingen

Amtsgericht (court of registration) Stuttgart · HRB 590142

Nominal data

| | | | |
|-----------------------------|-------------------|------|------|
| Type | A2S130-AA03-33 | | |
| Motor | M2S052-CA | | |
| Phase | | 1~ | 1~ |
| Nominal voltage | VAC | 230 | 230 |
| Frequency | Hz | 50 | 60 |
| Method of obtaining data | | fa | fa |
| Valid for approval/standard | | CE | CE |
| Speed (rpm) | min ⁻¹ | 2800 | 3250 |
| Power consumption | W | 45 | 39 |
| Current draw | A | 0.31 | 0.25 |
| Max. back pressure | Pa | 80 | 120 |
| Max. back pressure | in. wg | 0.32 | 0.48 |
| Min. ambient temperature | °C | -25 | -25 |
| Max. ambient temperature | °C | 50 | 70 |
| Starting current | A | 0.45 | 0.40 |

ml = Max. load · me = Max. efficiency · fa = Free air · cs = Customer specification · ce = Customer equipment
Subject to change



AC axial fan

straight blades (A series)

Technical description

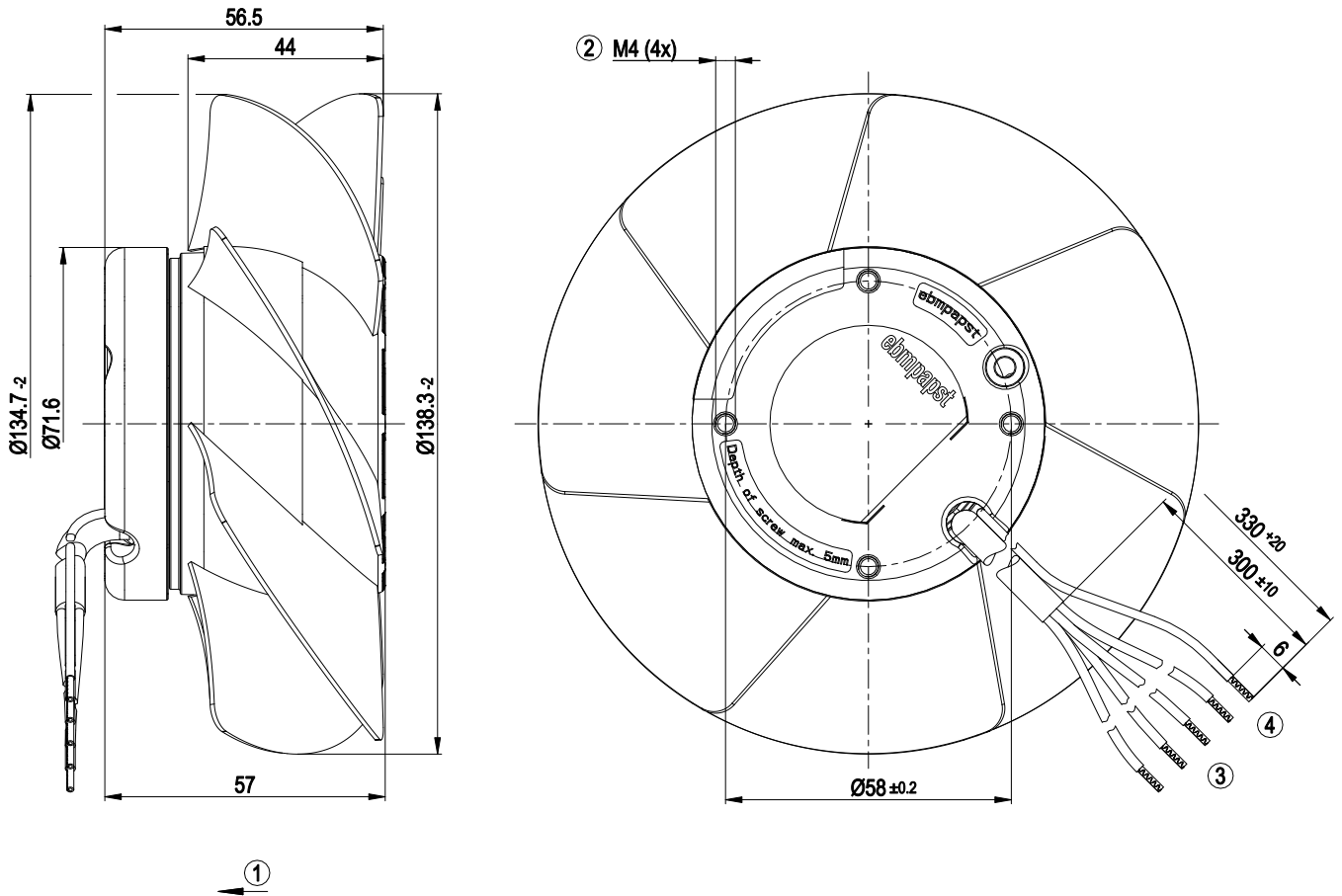
| | |
|---|--|
| Weight | 0.7 kg |
| Size | 130 mm |
| Motor size | 52 |
| Rotor surface | Rotor open, painted black |
| Blade material | Sheet steel, painted black |
| Number of blades | 7 |
| Airflow direction | V |
| Direction of rotation | Counterclockwise, viewed toward rotor |
| Degree of protection | IP20 |
| Insulation class | "B" |
| Moisture (F) / Environmental (H) protection class | H1 |
| Max. permitted ambient temp. for motor (transport/storage) | + 80 °C |
| Min. permitted ambient temp. for motor (transport/storage) | - 40 °C |
| Installation position | Any |
| Condensation drainage holes | None |
| Mode | S1 |
| Motor bearing | Ball bearing |
| Touch current according to IEC 60990 (measuring circuit Fig. 4, TN system) | < 0.75 mA |
| Motor protection | Thermal overload protector (TOP) with basic insulation |
| With cable | Variable |
| Protection class | I (with customer connection of protective earth) |
| Conformity with standards | EN 60335-1; CE |
| Approval | EAC |



AC axial fan

straight blades (A series)

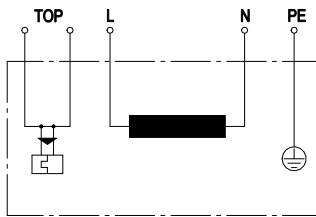
Product drawing



| | |
|---|--------------------------------------|
| 1 | Direction of air flow "V" |
| 2 | Max. clearance for screw 5 mm |
| 3 | Cable ETFE AWG20, 4x crimped splices |
| 4 | Cable ETFE AWG20, 1x crimped splice |

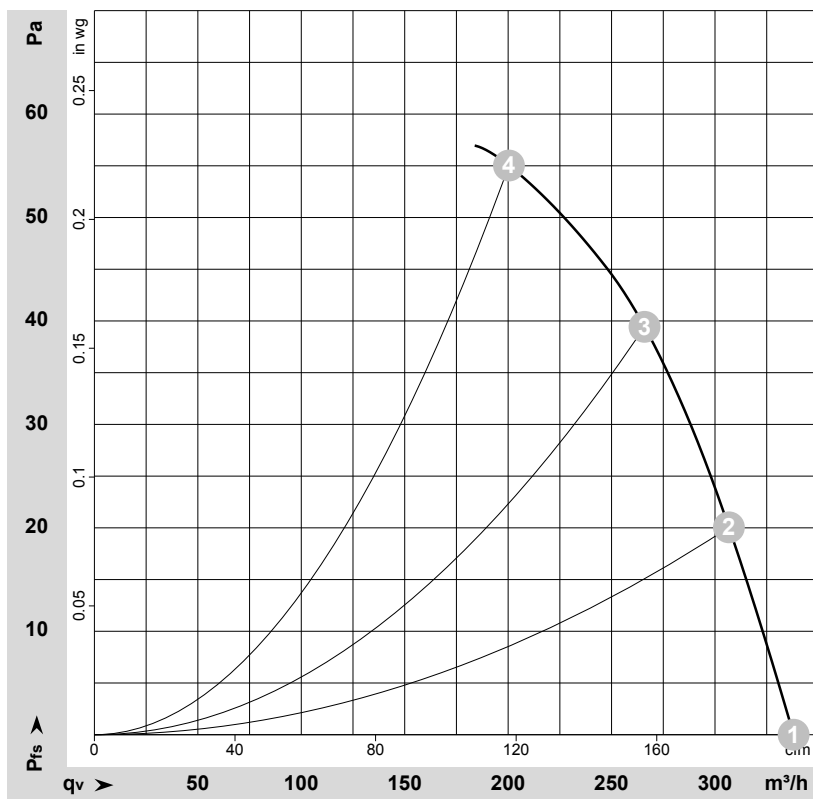


Connection diagram



| | | | | | |
|-----|----------|---|-------|----|--------------|
| L | black | N | black | PE | green/yellow |
| TOP | 2x white | | | | |

Curves: Air performance 50 Hz



$\rho = 1.15 \text{ kg/m}^3 \pm 2 \%$

Measurement: LU-58475-1

Air performance measured according to ISO 5801 installation category A. For detailed information on the measurement setup, contact ebm-papst. Intake sound level: Sound power level according to ISO 13347 / sound pressure level measured at 1 m distance from fan axis. The values given are valid under the specified measuring conditions and may vary due to conditions of installation. For deviations from the standard configuration, the parameters have to be checked on the installed unit.

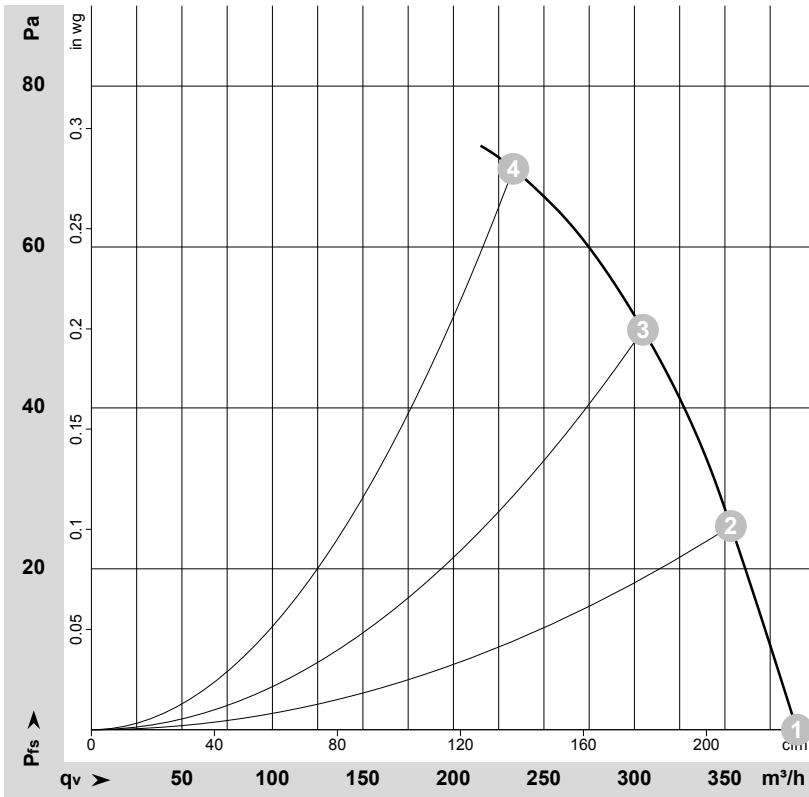
Measured values

| | U | f | n | P _e | I | q _v | p _{fs} | q _v | p _{fs} |
|---|-----|----|-------------------|----------------|------|-------------------|-----------------|----------------|-----------------|
| | V | Hz | min ⁻¹ | W | A | m ³ /h | Pa | cfm | in. wg |
| 1 | 230 | 50 | 2800 | 45 | 0.31 | 340 | 0 | 200 | 0.00 |
| 2 | 230 | 50 | 2795 | 45 | 0.31 | 305 | 20 | 180 | 0.08 |
| 3 | 230 | 50 | 2780 | 46 | 0.31 | 265 | 40 | 155 | 0.16 |
| 4 | 230 | 50 | 2780 | 46 | 0.31 | 200 | 55 | 120 | 0.22 |

U = Voltage · f = Frequency · n = Speed (rpm) · P_e = Power consumption · I = Current draw · q_v = Air flow · p_{fs} = Pressure increase



Curves: Air performance 60 Hz



$\rho = 1.15 \text{ kg/m}^3 \pm 2 \%$

Measurement: LU-58476-1

Air performance measured according to ISO 5801 installation category A. For detailed information on the measurement setup, contact ebm-papst. Intake sound level: Sound power level according to ISO 13347 / sound pressure level measured at 1 m distance from fan axis. The values given are valid under the specified measuring conditions and may vary due to conditions of installation. For deviations from the standard configuration, the parameters have to be checked on the installed unit.

Measured values

| | U | f | n | P _e | I | q _v | p _{fs} | q _v | p _{fs} |
|---|-----|----|-------------------|----------------|------|-------------------|-----------------|----------------|-----------------|
| | V | Hz | min ⁻¹ | W | A | m ³ /h | Pa | cfm | in. wg |
| 1 | 230 | 60 | 3250 | 39 | 0.25 | 390 | 0 | 230 | 0.00 |
| 2 | 230 | 60 | 3200 | 42 | 0.25 | 355 | 25 | 210 | 0.10 |
| 3 | 230 | 60 | 3165 | 43 | 0.26 | 305 | 50 | 180 | 0.20 |
| 4 | 230 | 60 | 3145 | 44 | 0.26 | 235 | 70 | 135 | 0.28 |

U = Voltage · f = Frequency · n = Speed (rpm) · P_e = Power consumption · I = Current draw · q_v = Air flow · p_{fs} = Pressure increase



AC axial fan

sickle-shaped blades (S series)

ebm-papst Mulfingen GmbH & Co. KG

Bachmühle 2 · D-74673 Mulfingen

Phone +49 7938 81-0

Fax +49 7938 81-110

info1@de.ebmpapst.com

www.ebmpapst.com

Limited partnership · Headquarters Mulfingen

Amtsgericht (court of registration) Stuttgart · HRA 590344

General partner Elektrobau Mulfingen GmbH · Headquarters Mulfingen

Amtsgericht (court of registration) Stuttgart · HRB 590142

Nominal data

| | | | |
|-----------------------------|-----------------------|------|------|
| Type | A2S130-AA03-39 | | |
| Motor | M2S052-CA | | |
| Phase | | 1~ | 1~ |
| Nominal voltage | VAC | 230 | 230 |
| Frequency | Hz | 50 | 60 |
| Method of obtaining data | | fa | fa |
| Valid for approval/standard | | CE | CE |
| Speed (rpm) | min ⁻¹ | 2800 | 3250 |
| Power consumption | W | 45 | 39 |
| Current draw | A | 0.31 | 0.25 |
| Max. back pressure | Pa | 80 | 120 |
| Max. back pressure | in. wg | 0.32 | 0.48 |
| Min. ambient temperature | °C | -25 | -25 |
| Max. ambient temperature | °C | 50 | 70 |
| Starting current | A | 0.45 | 0.40 |

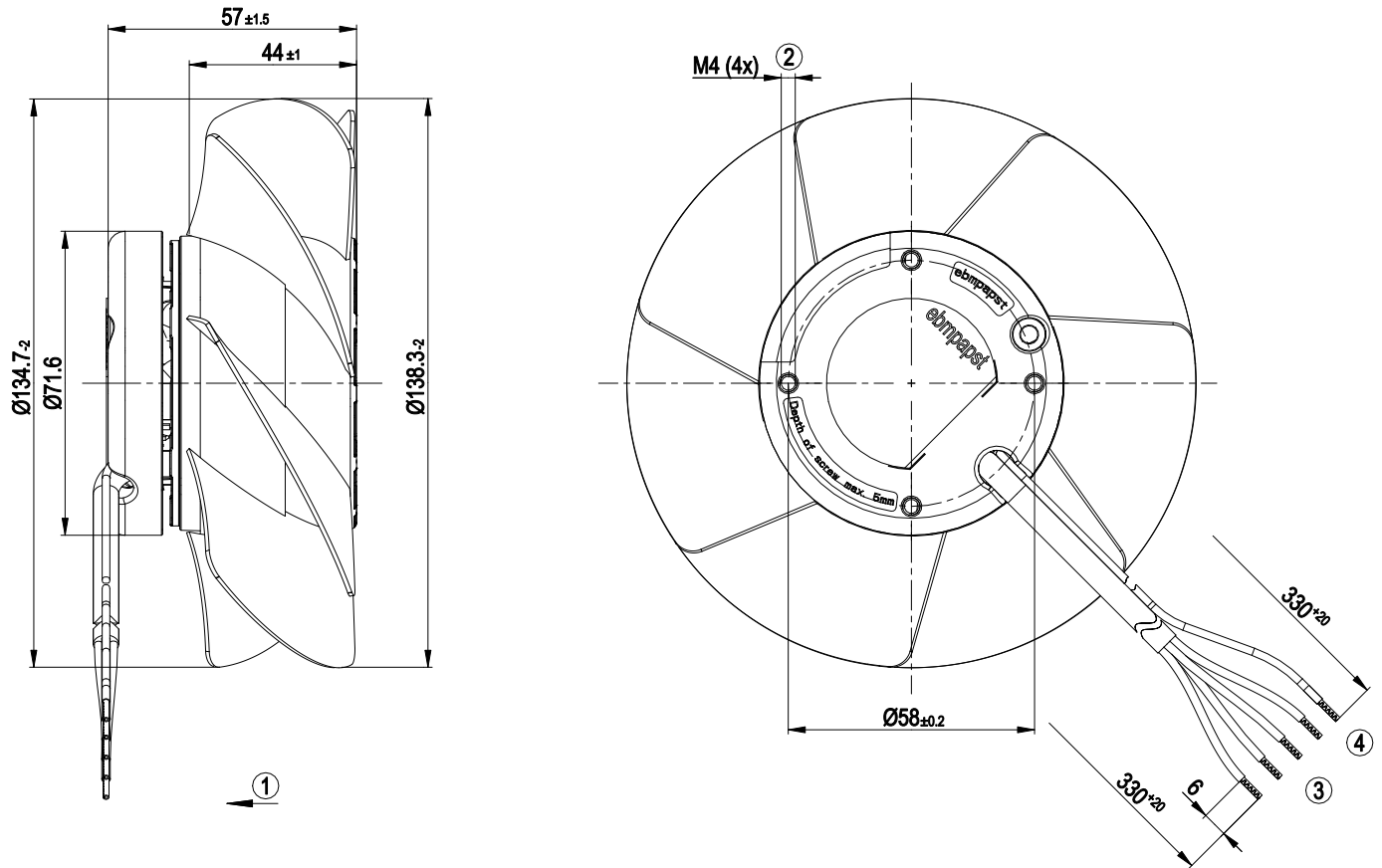
ml = Max. load · me = Max. efficiency · fa = Free air · cs = Customer specification · ce = Customer equipment
 Subject to change



Technical description

| | |
|---|--|
| Weight | 0.7 kg |
| Size | 130 mm |
| Motor size | 52 |
| Rotor surface | Rotor open, painted black |
| Blade material | Sheet steel, painted black |
| Number of blades | 7 |
| Airflow direction | V |
| Direction of rotation | Counterclockwise, viewed toward rotor |
| Degree of protection | IP20 |
| Insulation class | "B" |
| Moisture (F) / Environmental (H) protection class | H1 |
| Max. permitted ambient temp. for motor (transport/storage) | + 80 °C |
| Min. permitted ambient temp. for motor (transport/storage) | - 40 °C |
| Installation position | Any |
| Condensation drainage holes | None, open rotor |
| Mode | S1 |
| Motor bearing | Ball bearing |
| Touch current according to IEC 60990 (measuring circuit Fig. 4, TN system) | < 0.75 mA |
| Motor protection | Thermal overload protector (TOP) with basic insulation |
| With cable | Variable |
| Protection class | I (with customer connection of protective earth) |
| Conformity with standards | EN 60335-1; CE |
| Approval | CSA C22.2 No. 100; EAC; UL 1004-1 |

Product drawing

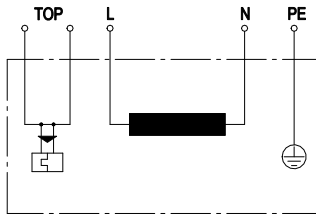


| | |
|---|--|
| 1 | Direction of air flow "V" |
| 2 | Max. clearance for screw 5 mm |
| 3 | Cable PFA AWG20, 4x crimped splices |
| 4 | Cable PFA AWG20, green/yellow, 1x crimped splice |

AC axial fan

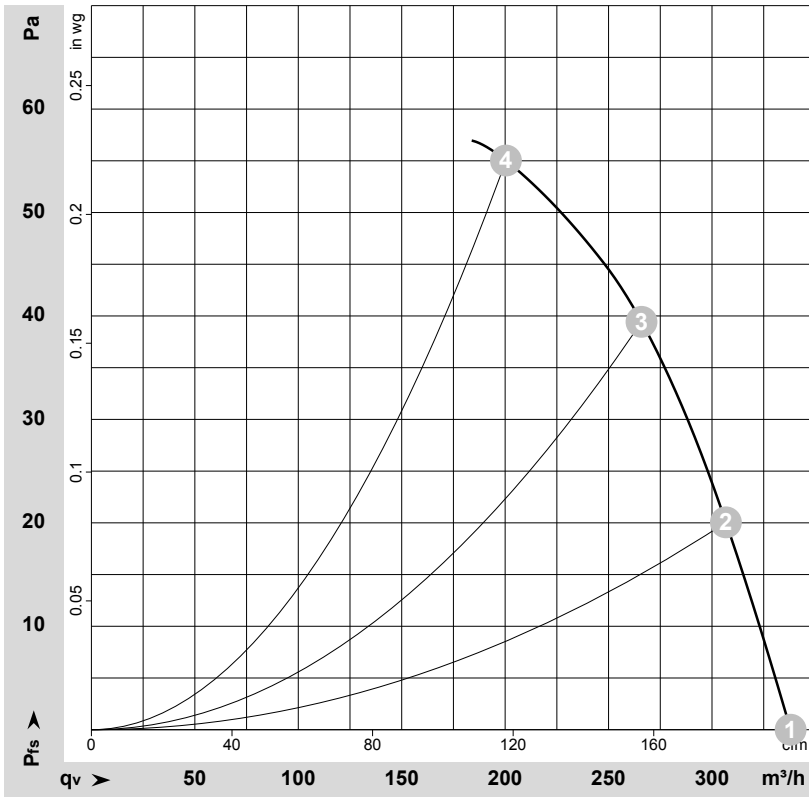
sickle-shaped blades (S series)

Connection diagram



| | | | | | |
|-----|----------|---|-------|----|--------------|
| L | black | N | black | PE | green/yellow |
| TOP | 2x white | | | | |

Curves: Air performance 50 Hz



$\rho = 1.15 \text{ kg/m}^3 \pm 2 \%$

Measurement: LU-58475-1

Air performance measured according to ISO 5801 installation category A. For detailed information on the measurement setup, contact ebm-papst. Intake sound level: Sound power level according to ISO 13347 / sound pressure level measured at 1 m distance from fan axis. The values given are valid under the specified measuring conditions and may vary due to conditions of installation. For deviations from the standard configuration, the parameters have to be checked on the installed unit.

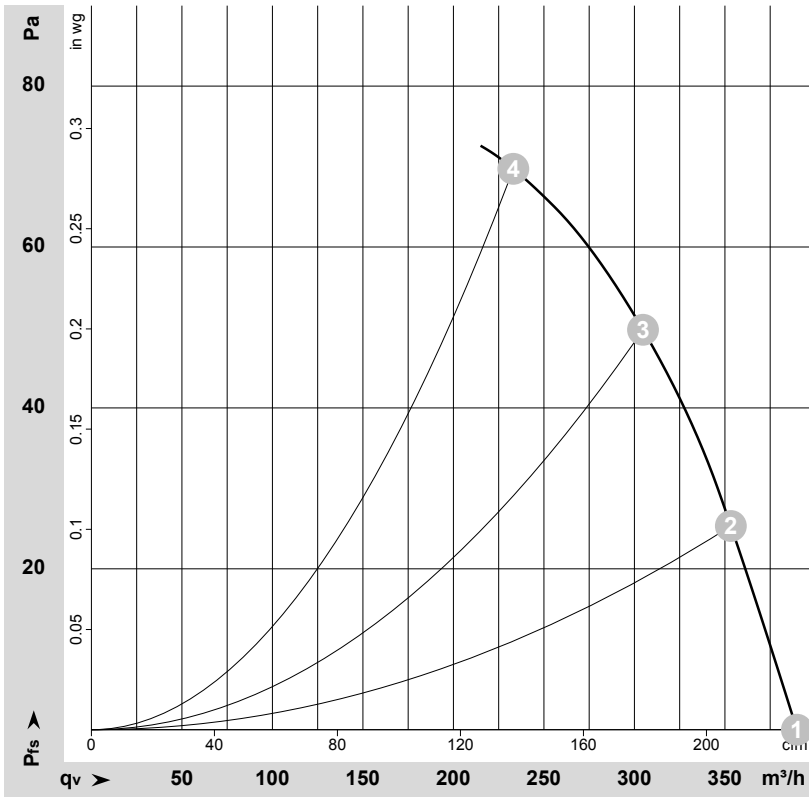
Measured values

| | U | f | n | P _e | I | q _v | P _{fs} | q _v | P _{fs} |
|---|-----|----|-------------------|----------------|------|----------------|-----------------|----------------|-----------------|
| | V | Hz | min ⁻¹ | W | A | m³/h | Pa | cfm | in. wg |
| 1 | 230 | 50 | 2800 | 45 | 0.31 | 340 | 0 | 200 | 0.00 |
| 2 | 230 | 50 | 2795 | 45 | 0.31 | 305 | 20 | 180 | 0.08 |
| 3 | 230 | 50 | 2780 | 46 | 0.31 | 265 | 40 | 155 | 0.16 |
| 4 | 230 | 50 | 2780 | 46 | 0.31 | 200 | 55 | 120 | 0.22 |

U = Voltage · f = Frequency · n = Speed (rpm) · P_e = Power consumption · I = Current draw · q_v = Air flow · P_{fs} = Pressure increase



Curves: Air performance 60 Hz



$\rho = 1.15 \text{ kg/m}^3 \pm 2 \%$

Measurement: LU-58476-1

Air performance measured according to ISO 5801 installation category A. For detailed information on the measurement setup, contact ebm-papst. Intake sound level: Sound power level according to ISO 13347 / sound pressure level measured at 1 m distance from fan axis. The values given are valid under the specified measuring conditions and may vary due to conditions of installation. For deviations from the standard configuration, the parameters have to be checked on the installed unit.

Measured values

| | U | f | n | P _e | I | q _v | p _{fs} | q _v | p _{fs} |
|---|-----|----|-------------------|----------------|------|-------------------|-----------------|----------------|-----------------|
| | V | Hz | min ⁻¹ | W | A | m ³ /h | Pa | cfm | in. wg |
| 1 | 230 | 60 | 3250 | 39 | 0.25 | 390 | 0 | 230 | 0.00 |
| 2 | 230 | 60 | 3200 | 42 | 0.25 | 355 | 25 | 210 | 0.10 |
| 3 | 230 | 60 | 3165 | 43 | 0.26 | 305 | 50 | 180 | 0.20 |
| 4 | 230 | 60 | 3145 | 44 | 0.26 | 235 | 70 | 135 | 0.28 |

U = Voltage · f = Frequency · n = Speed (rpm) · P_e = Power consumption · I = Current draw · q_v = Air flow · p_{fs} = Pressure increase

