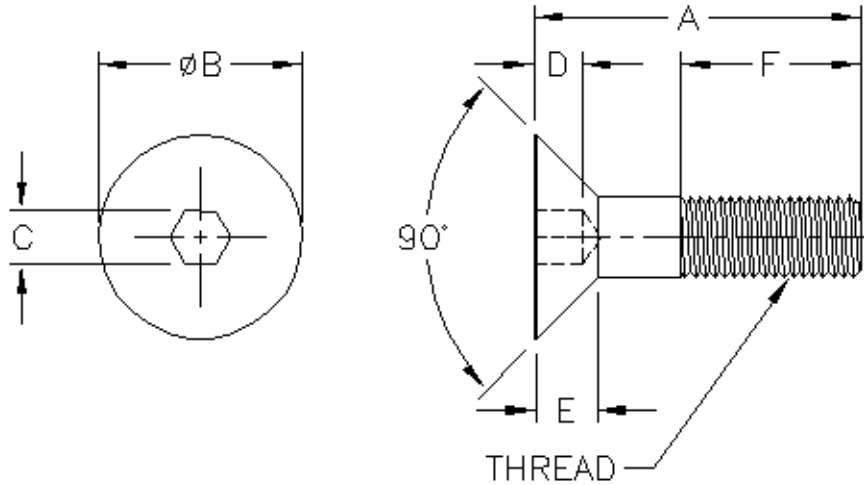

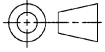


1. PART NUMBER AND CHARACTERISTICS



SEE ALSO 985575

TE Part No	Rev	Thread	A	B	C	D	E	F
994236-1	O	M4	6	8	2.5	1.8	2.3	Full
994236-2	A	M2	4	4	1.3	0.75	1.2	Full
994236-3	B	M2	8	4	1.3	0.75	1.2	Full
994236-4	C	M4	14	8	2.5	1.8	2.3	Full
994236-5	D	M2.5	6	5	1.5	0.8	1.5	Full
994236-6	D	M2.5	8	5	1.5	0.8	1.5	Full
994236-7	D	M2.5	10	5	1.5	0.8	1.5	Full
994236-8	D	M2.5	12	5	1.5	0.8	1.5	Full
994236-9	D	M2.5	16	5	1.5	0.8	1.5	Full
1-994236-0	E	M2	6	4	1.3	0.75	1.2	Full
1-994236-1	F	M10	25	20	6	4.4	5.5	Full
1-994236-2	F	M2	5	4	1.3	0.75	1.2	Full
1-994236-3	F	M3	10	6	2	1.2	1.7	Full
1-994236-4	F	M4	10	8	2.5	1.8	2.3	Full
1-994236-5	F	M4	12	8	2.5	1.8	2.3	Full
1-994236-6	F	M4	16	8	2.5	1.8	2.3	Full
1-994236-7	F	M4	8	8	2.5	1.8	2.3	Full
1-994236-8	F	M5	10	10	3	2.3	2.8	Full
1-994236-9	F	M5	12	10	3	2.3	2.8	Full
2-994236-0	F	M5	16	10	3	2.3	2.8	Full

<h1>COMMERCIALLY PURCHASED PRODUCT SPECIFICATION</h1>				LOC B	MATERIAL See Note 1.2.	FINISH Black Oxide
				 <p>©2011 Tyco Electronics Corporation, a TE Connectivity Ltd. Company All Rights Reserved</p>		
				DIMENSIONS IN mm	<h2>SCREW, CAP, HEX SOCKET FLAT HEAD</h2>	
						
L	Change Full Thread Info	JNB	21MAR11	SHEET 1 OF 2	NO 994236	REV L
REV	ENGINEERING CHANGE	CHK	DATE			

1. PART NUMBER AND CHARACTERISTICS (Continued)

TE Part No	Rev	Thread	A	B	C	D	E	F
2-994236-1	F	M5	55	10	3	2.3	2.8	16
2-994236-2	F	M6	15	12	4	2.5	3.3	Full
2-994236-3	F	M6	16	12	4	2.5	3.3	Full
2-994236-4	F	M6	20	12	4	2.5	3.3	Full
2-994236-5	F	M8	16	16	5	3.5	4.4	Full
2-994236-6	F	M8	20	16	5	3.5	4.4	Full
2-994236-7	J	M5	60	10	3	2.3	2.8	16
2-994236-8	K	M5	60	10	3	2.3	2.8	Full

- 1.1. Shall comply with DIN 7991
- 1.2. Material shall be steel that meets or exceeds ISO Standard 898/1, Class 10.9
- 2. MANUFACTURER
None



Tyco Electronics Corporation,
a TE Connectivity Ltd. Company

SHEET
2 OF 2

NO

994236

REV
L