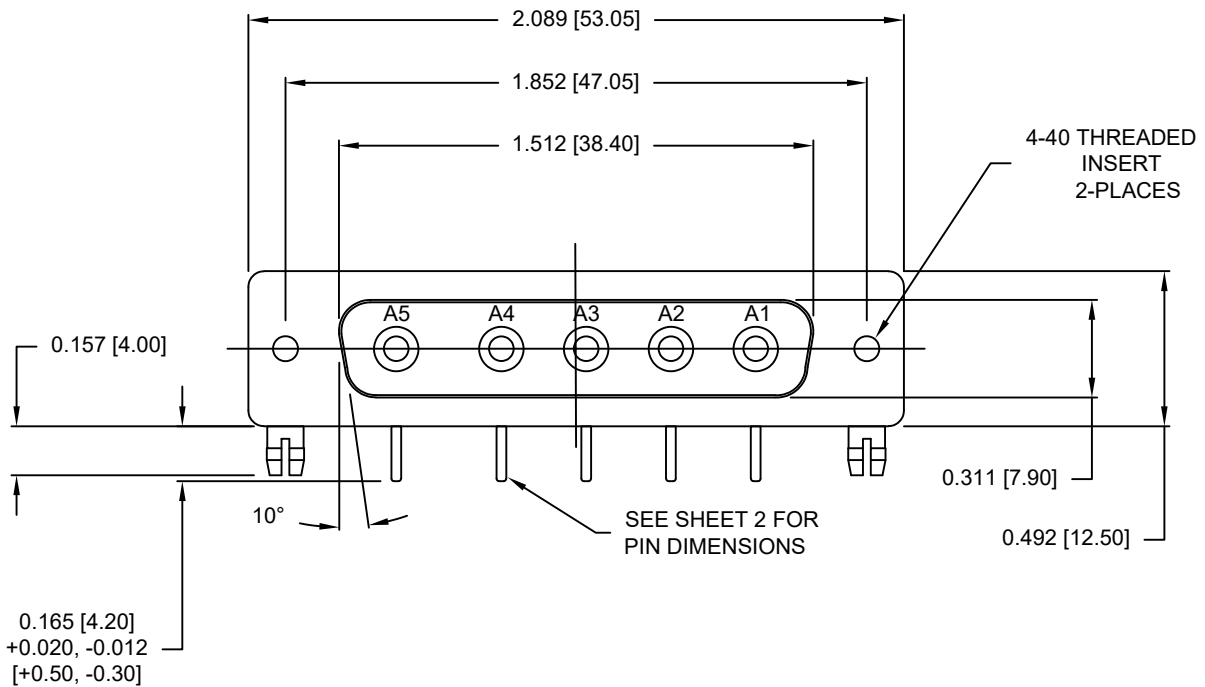


DESCRIPTION: 5W5 // F // COAXIAL // RA PCB MOUNT



SPECIFICATIONS:

ELECTRICAL:
 INSULATOR RESISTANCE: 5 GOHMS Min.
 DIELECTRIC WITHSTANDING: 1,000VAC r.m.s.
 OPERATING TEMPERATURE: -55° C ~ +125° C
 COAXIAL CONTACT RESISTANCE: 2.7 Milliohms Max.
 COAXIAL IMPEDANCE: 50 OHM

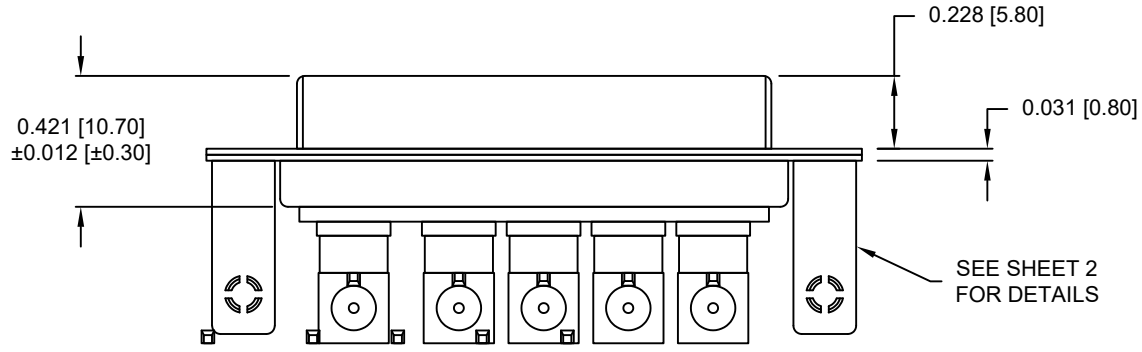
MECHANICAL:
 CONTACT INSERTION FORCE: 4.5 Kg Max.
 CONTACT SEPARATOR FORCE: 0.3Kg Min.

MATERIALS:
 CONTACTS: COPPER ALLOY
 INSULATOR: PBT UL94V-0 RATED, BLACK
 230°C PROCESS TEMP.
 SHELL: STEEL

FINISH:
 SHELL: NICKEL
 CONTACTS: FULL GOLD FLASH

685M5W5203L461

46 = 4-40 INSERTS / BOARD LOCKS



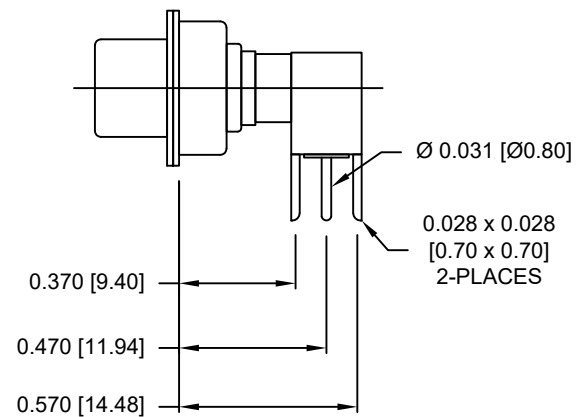
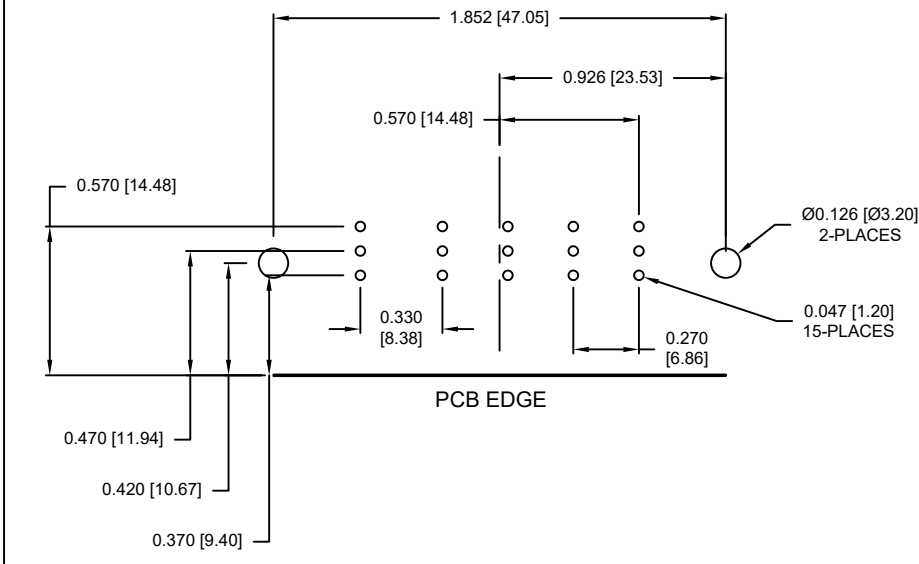
RoHS COMPLIANT

UNITS = INCHES [MM] DO NOT SCALE FROM DRAWING

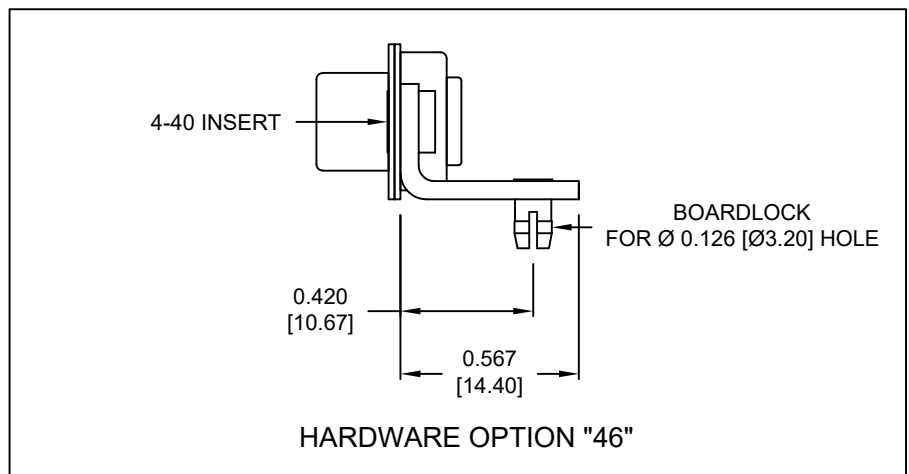
	THESE DRAWINGS AND SPECIFICATIONS ARE THE PROPERTY OF NorComp AND SHALL NOT BE REPRODUCED, COPIED OR USED AS THE BASIS FOR THE MANUFACTURE OR SALE OF APPARATUS WITHOUT WRITTEN PERMISSION.	DRAWN: M. SIGMON
		DATE: 03/03/2014

	SCALE: NTS	SHEET 1 OF 2	REV 2
	DWG NO: 685M5W5203L461		

**NOTE:
COAXIAL CONTACTS COME
PRE-LOADED INTO INSULATORS**



50 OHM COAXIAL CONTACT



HARDWARE OPTION "46"

RoHS COMPLIANT

UNITS = INCHES [MM] DO NOT SCALE FROM DRAWING

NC
THESE DRAWINGS AND SPECIFICATIONS ARE THE PROPERTY OF NorComp AND SHALL NOT BE REPRODUCED, COPIED OR USED AS THE BASIS FOR THE MANUFACTURE OR SALE OF APPARATUS WITHOUT WRITTEN PERMISSION.

DRAWN:
M. SIGMON
DATE:
03/03/2014

NorComp

SCALE: NTS	SHEET 2	OF 2	REV 2
DWG NO: 685M5W5203L461			