

1 Products affected

Product hierarchy no. *				Part no.	SBU	Type / Description	Customer part no.
SBU	PG	PUG	Type				
02	007	013	0000002303	See list below	Connectors	Appliance Outlet 16A 4797-5	-

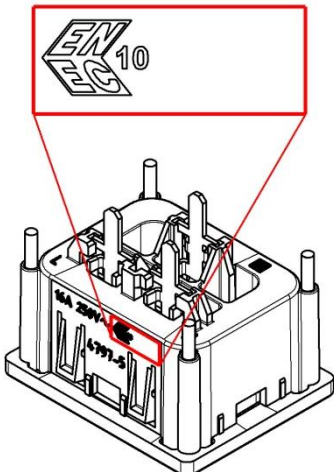
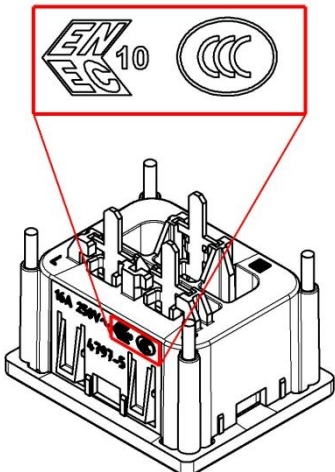
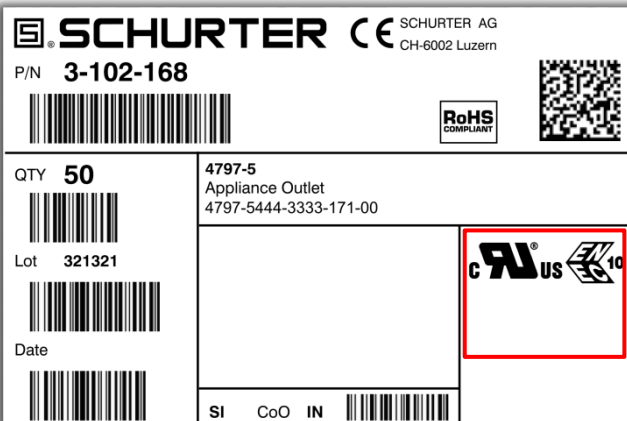
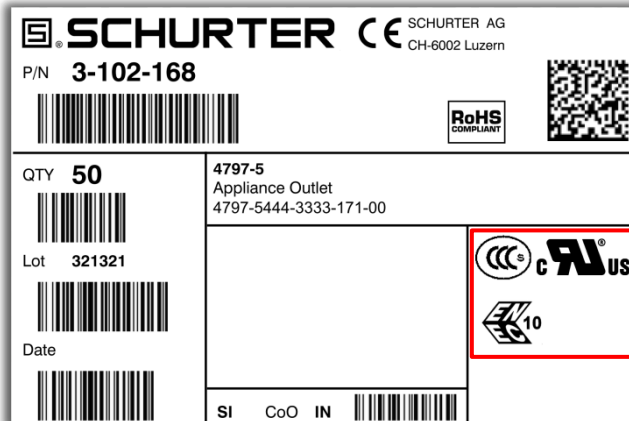
*SBU (2-digit) / PG (3-digit) / PUG (3-digit) / Type (10-digit)

List of part numbers affected				
3-102-168	3-102-321	3-102-322	3-102-323	3-102-324
3-102-335	3-103-009	3-103-012	3-103-014	3-103-016
3-103-252	3-103-566	3-103-636	3-104-613	3-104-614
3-109-980	3-110-069			

2 Type of change

- Change of material
- Change of approval
- Change of marking
- Change of packaging label

3 Detailed description of change

Old material	New material
Polyamid PA6/66	Polyamid PA6
Old appearance	New appearance
	
Old packaging label	New packaging label
	

Product Change Notification					PCN 4797-5 - Change of Material and New CCC A		
owner	creation date	release date	released by	change order no	rev	page	D10-028-631
vetersa	20.08.2018	20.09.2018	limachcl	2016092	A	1 of 2	

4 Reason of change

- Material consolidation.
- Appearance consolidation (colour according to 4710-5)
- New CCC Approval

5 Release date

The change will be rolled-out starting ww 39/2018 (Date code 1839 or higher on label) and lasts approx. 6 months depending on the variant.

6 Impact of change and recommended action

Form	Yes	Approval sign: CCC added to moulding part Appearance of colour
Fit	No	No change for dimension
Function	No	No change in function
Manufacturing	No	No change or manufacturing site
Label	Yes	Approval sign: CCC added to packaging label
Packaging	No	No change in packaging

7 Reference Documents / Attachments

Kind of document	Remarks
Data Sheet	

Product Change Notification					PCN 4797-5 - Change of Material and New CCC A		
owner	creation date	release date	released by	change order no	rev	page	D10-028-631
vetersa	20.08.2018	20.09.2018	limachcl	2016092	A	2 of 2	