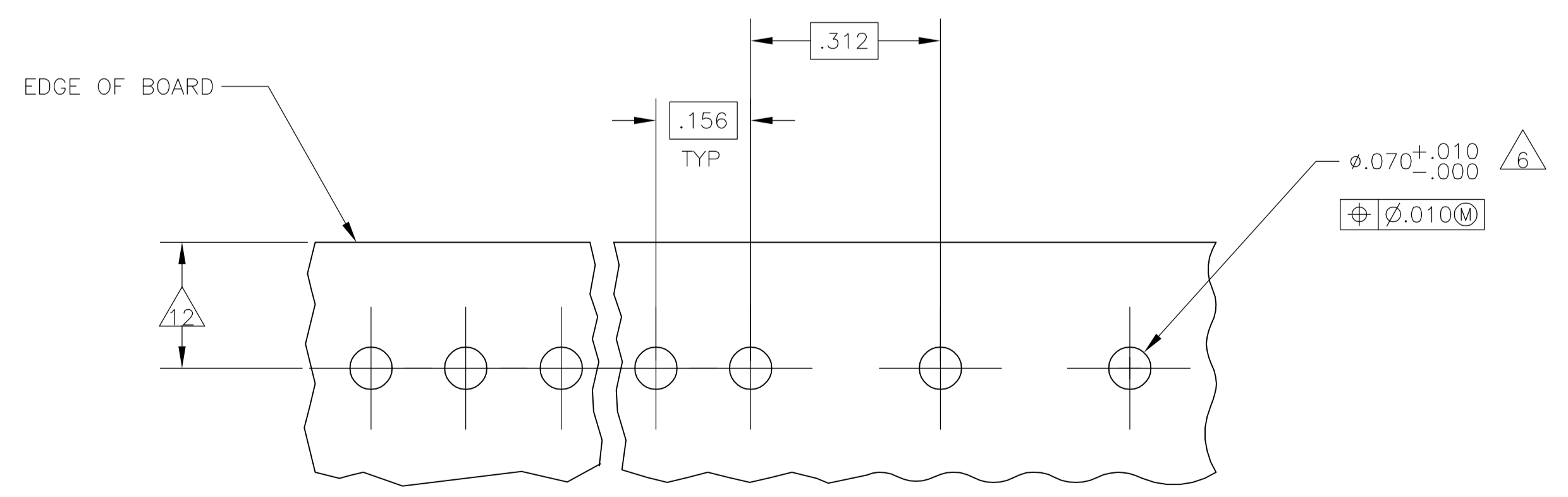
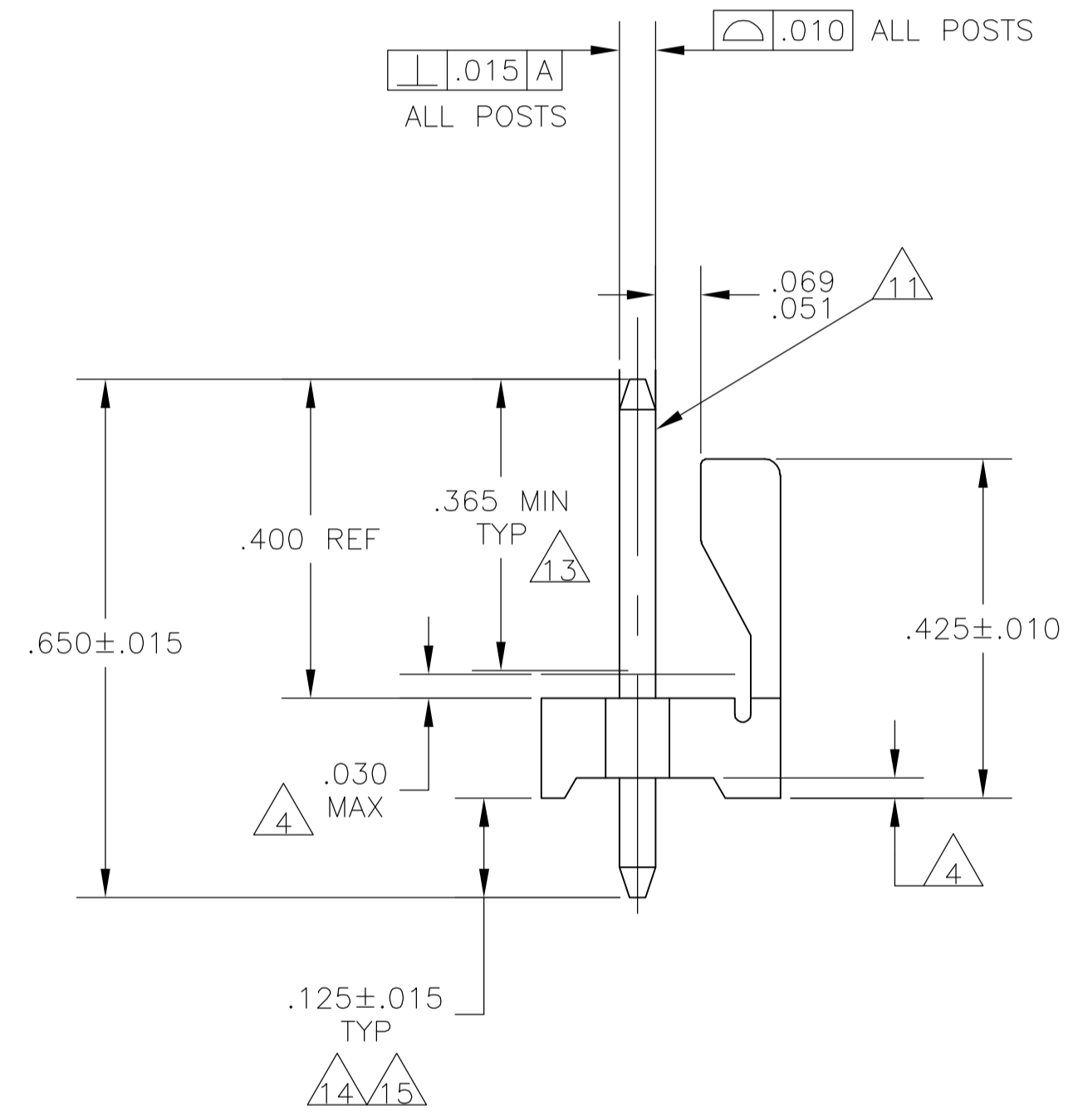
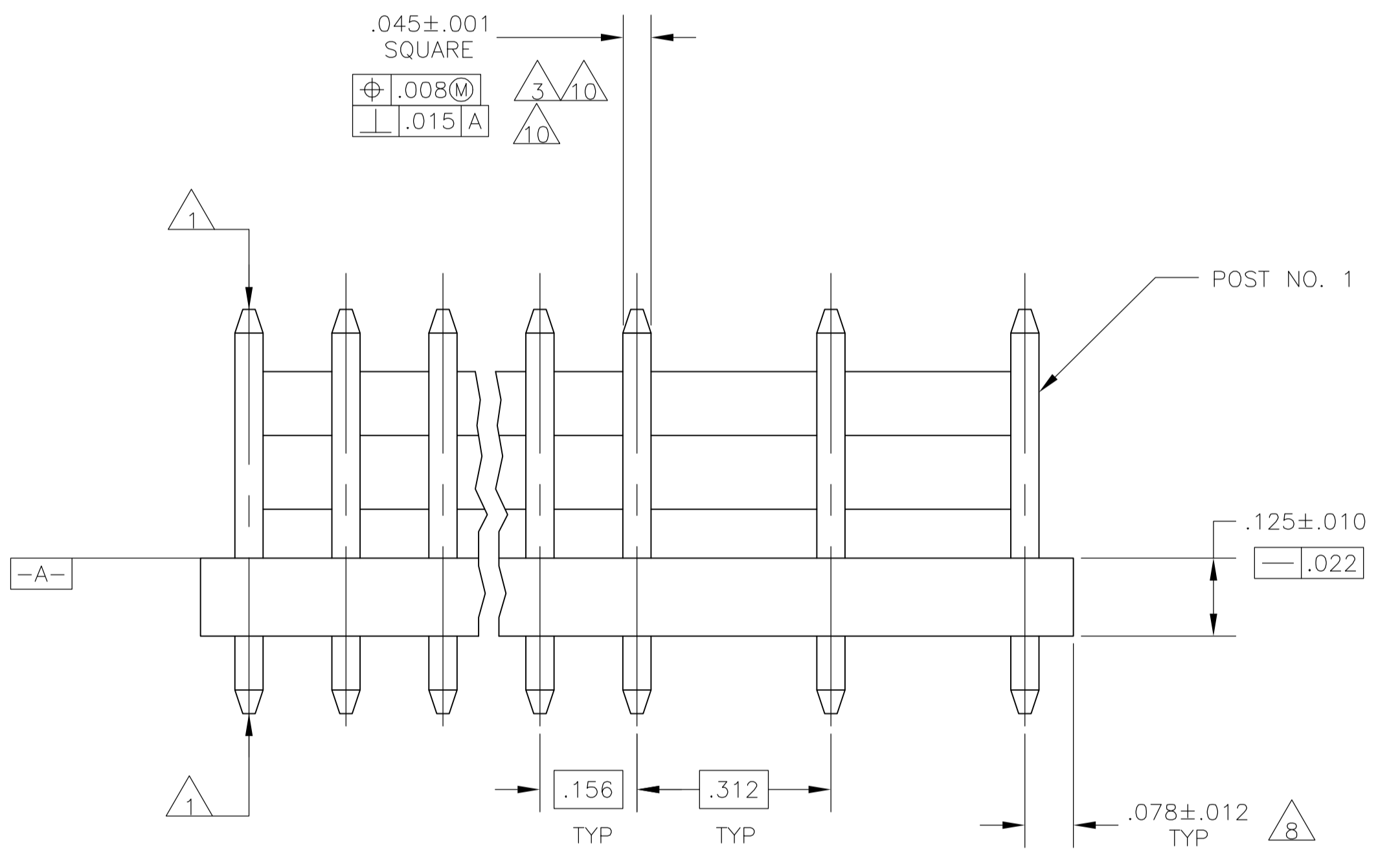
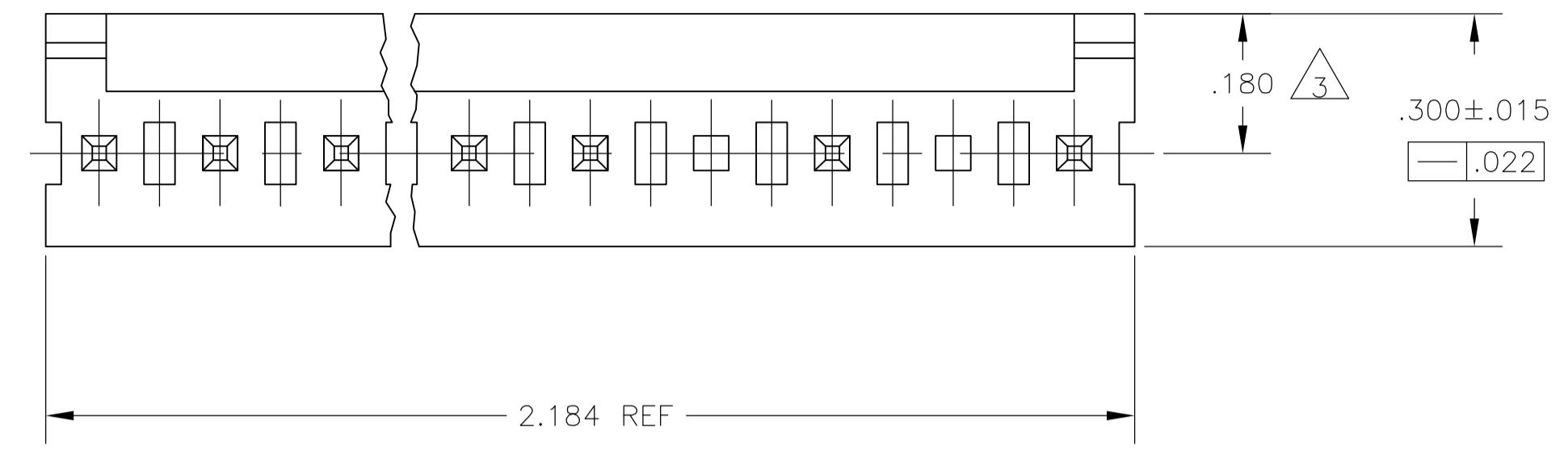


LOC		DIST		REVISIONS			
CM	00	P	LTR	DESCRIPTION	DATE	DWN	APVD
		C		REVISED PER ECO-05-015637	17MAR06	KW	DB



RECOMMENDED MOUNTING HOLE PATTERN FOR .063 THICK P.C. BOARD

- 1 POST TO WITHSTAND 13 NEWTONS (3LBS.) MIN. AXIAL FORCE IN BOTH DIRECTIONS SHOWN WITHOUT DISLODGING.
- 2 TOLERANCES APPLY TO SOLDER SIDE OF BOARD.
- 3 MEASURED AT SURFACE -A-
- 4 PLASTIC FLASH PERMITTED IN THIS AREA.
- 5 PARTS COMPLY WITH AMP SOLDERABILITY SPEC. NO. 109-11-2.
- 6 ONE HOLE MAY BE UNDERSIZED (.065/.060 DIA.) FOR ASSEMBLY RETENTION DURING WAVE SOLDERING.
- 7 MATERIAL: HEADER-THERMOPLASTIC POLYESTER NON-FILLED 94V-0(NATURAL) POST-COPPER ALLOY (SEE NOTES 13 & 14 FOR PLATING)
- 8 COORDINATE DIMENSION APPLIES FROM CENTER OF ACTUAL FEATURE.
- 9 PLASTIC BURRS CAUSED BY CUT-OFF TOOLING ARE PERMITTED WITHIN THE MAXIMUM TOLERANCE ENVELOPE.
- 10 POST TO BE MEASURED WHEN STRIP IS HELD FLAT.
- 11 POST MUST WITHSTAND TWO 90° BENDS AGAINST EXTRUSION WITHOUT BREAKING.
- 12 DIMENSION SHOULD BE .175 MIN WHEN MATING WITH A MTA 156 CONNECTOR ASSEMBLY OR A SL-156 CONNECTOR ASSEMBLY.
- 13 GOLD PLATE AREA, .000030 MIN., ALL SIDES, OVER NICKEL UNDERPLATE, .000050 MIN., ALL SIDES AND ENTIRE LENGTH OF POST.
- 14 BRIGHT TIN-LEAD (93/7) PLATE 0.00381 (.000150") MIN THICK ALL FOUR SIDES 3.18 (.125)
- 15 MATTE TIN PLATE 0.00381 (.000150") MIN THICK ALL FOUR SIDES 3.18 (.125)

METRIC

.065	1.65	-	-
.063	1.60	-	-
.060	1.52	2.184	55.47
.045	1.14	.650	16.51
.030	0.76	.400	10.16
.022	0.56	.425	10.80
.015	0.38	.365	9.27
.010	0.25	.312	7.92
.008	0.20	.300	7.62
.005	0.13	.180	4.57
.001	0.03	.175	4.44
.000350	0.00889	.156	3.96
.000150	0.00381	.125	3.18
.000050	0.00127	.078	1.98
.000030	0.00076	.070	1.78
.000	0.00	.068	1.73
[IN]	MM	[IN]	MM

THIS DRAWING IS A CONTROLLED DOCUMENT.

DIMENSIONS: INCHES	TOLERANCES UNLESS OTHERWISE SPECIFIED:	0 PLC ± -	1 PLC ± -	2 PLC ± -	3 PLC ± -	4 PLC ± -	ANGLES ± -
MATERIAL		FINISH		SIZE		WEIGHT	
CUSTOMER DRAWING		SCALE 5:1		SHEET 1 OF 1		REV C	

DIM: S. HOOVER 07NOV2002
 CHK: D. BOSSI 07NOV2002
 APVD: D. BOSSI 07NOV2002
 NAME: MTA-.156 HEADER ASSEMBLY, FRICTION LOCK, STRAIGHT .045 SQUARE POST, .000030 GOLD, 14 POSITION, OMITTED POST
 SIZE: A1
 CASE CODE: 00779
 DRAWING NO: 644870
 RESTRICTED TO: -
 Tyco Electronics Corporation, Harrisburg, Pa 17105-3608