

LOC	DIST	REVISIONS					
J	-	P	LTR	DESCRIPTION	DATE	DWN	APVD
		A		REVISED PER ECR-16-007444	30MAY2016	NK	SC

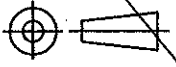

SEE DRAWING C-1376384

RELEASED FOR PUBLICATION

ALL RIGHTS RESERVED.

© COPYRIGHT BY TYCO ELECTRONICS CORPORATION.

THIS DRAWING IS UNPUBLISHED.

DIMENSIONS: MM TOLERANCES UNLESS OTHERWISE SPECIFIED: 0 PLC ± - 1 PLC ± - 2 PLC ± - 3 PLC ± - 4 PLC ± - ANGLES ± - 	DWN	A.OISHI	31AUG'00	MATERIAL	FINISH		
	CHK	Y.KASHIWA	31AUG'00	 TE Connectivity			
	APVD	Y.KASHIWA	31AUG'00				
	PRODUCT SPEC	118-5699			NAME		
	APPLICATION SPEC	114-5292			5.0 POWER KEY CONNECTOR 6P HEADER ASSEMBLY		
	WEIGHT	-			SIZE	CAGE CODE	DRAWING NO
CUSTOMER DRAWING				A4	00779	C-1376385	-
				SCALE	-	SHEET	1 OF 1
				REV			

00/09/20 11:32