

MATERIAL NO.	ENGINEERING NO.	FINISHED LENGTH
1300120009	331020A01F060	6 FT. (1.82 M)
1300120016	331020A01F120	12 FT. (3.66 M)
1300120019	331020A01F200	20 FT. (6.10 M)

**CABLE LENGTH TOLERANCES**

<.3M [1FT]: +19mm-0 [ +.75in-0]

.3 - .9M [1 - 3FT]: +44.5mm-0 [+1.75in-0]

.9 - 1.8M [3 - 6FT]: +55.6mm-0 [+2.19in-0]

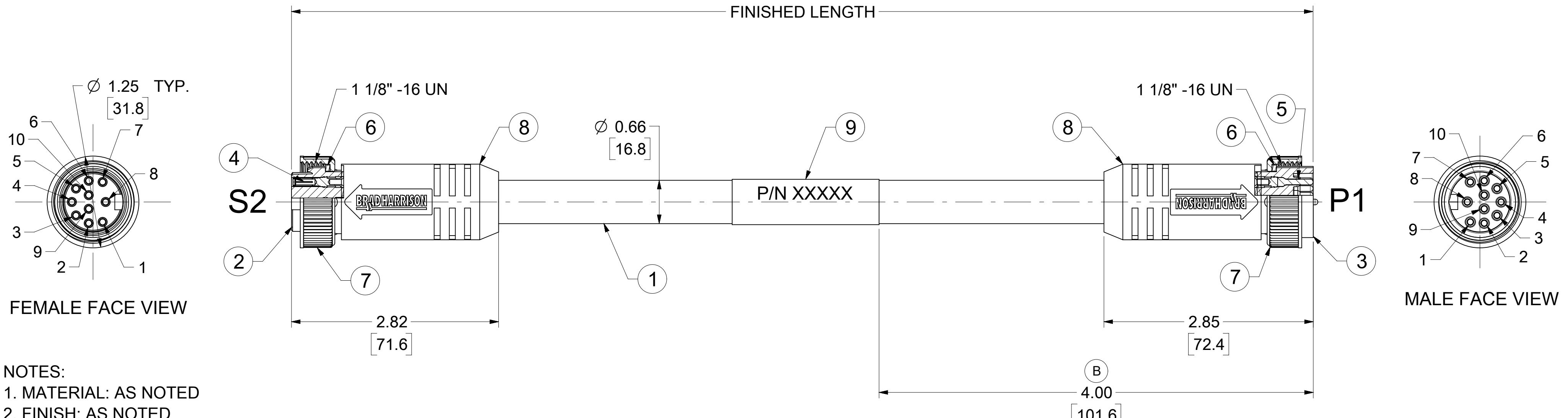
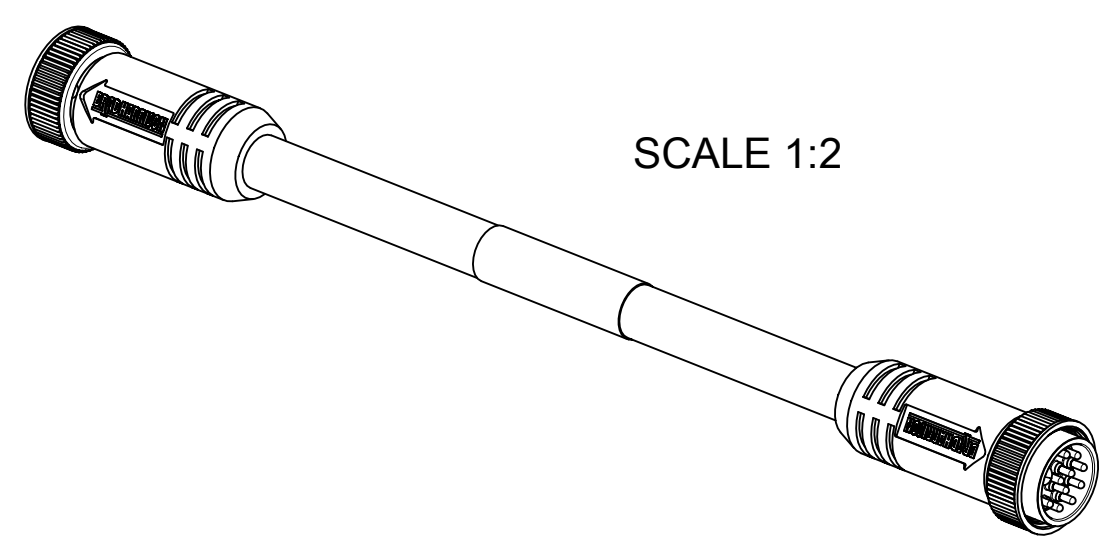
1.8 - 3.7M [6 - 12FT]: +88.9mm-0 [+3.50in-0]

3.7 - 7.3M [12 - 24FT]: +165.1mm-0 [+6.50in-0]

7.3-14.6M [24 - 48FT]: +317.5mm-0 [+12.50in-0]

14.6 - 30.5M [48-100FT]: +622.3mm-0 [+24.50in-0]

OVER 30M [100FT] +2% OF FINISHED LENGTH



- NOTES:**
1. MATERIAL: AS NOTED
  2. FINISH: AS NOTED
  3. ELECTRICAL:  
VOLTAGE: 320V PER IEC60664  
600V PER UL2238  
CURRENT: 7A
  4. TEMP RATING: -20°C TO +105°C
  5. PROTECTION: IP67 (WHEN MATED)
  6. CSA CERTIFIED FILE: LR6837
  7. UL RECOGNIZED FILE: E152210
  8. ASSEMBLY IS ROHS COMPLIANT
  9. ALL DIMS ARE FOR REFERENCE UNLESS TOLERANCED OR NOTED OTHERWISE

**WIRING DIAGRAM**

S2		P1
1	ORANGE	1
2	BLUE	2
3	WHITE/BLACK	3
4	RED/BLACK	4
5	GREEN/BLACK	5
6	ORANGE/BLACK	6
7	RED	7
8	GREEN/YELLOW	8
9	BLACK	9
10	WHITE	10

**PART NUMBER MATRIX**

331020A01F060

FINISHED LENGTH  
F001= .1 FT  
F020= 2 FT  
F200= 20 FT

9	LABEL	VINYL	BLACK/YELLOW
8	OVERMOLD	TPE	YELLOW
7	COUPLING NUT	ZINC DIE CAST	BLACK E-COAT
6	FRICITION RING	NYLON	NATURAL
5	PIN CONTACT	Cu ALLOY	GOLD OVER NICKEL
4	SOCKET CONTACT	Cu ALLOY	GOLD OVER NICKEL
3	MALE INSERT	TPE	YELLOW
2	FEMALE INSERT	TPE	YELLOW
1	#16-10 CABLE, STOOV/ST	PVC JACKET	YELLOW
ITEM	DESCRIPTION	MATERIAL	FINISH

THIS DRAWING CONTAINS INFORMATION THAT IS PROPRIETARY TO MOLEX ELECTRONIC TECHNOLOGIES, LLC AND SHOULD NOT BE USED WITHOUT WRITTEN PERMISSION

DIMENSION UNITS: INCH/MM SCALE: 1:1

CURRENT REV DESC: UPDATED ITEM #2.3.8.9, LABEL DIM. & MATERIAL P/N TABLE . ADDED CSA, UL, IEC VOLT, TEMP RATING, IP RATING, TOL. CHART & PART NUMBER MATRIX

EC NO: 673727  
DRWN: AKABADI 2021/06/29  
CHK'D: RSTONE 2021/08/13  
APPR: BWOODMAN 2021/08/27

INITIAL REVISION:  
DRWN: RSTONE 2009/08/17  
APPR: JFMURPHY 2009/08/21

MINI-CHANGE CORDSET, C SIZE  
10 POLE, MALE/FEMALE, STRAIGHT, SINGLE KEY, 16AWG

PRODUCT CUSTOMER DRAWING

DOCUMENT NUMBER: SD-130012-003  
DOC TYPE: PSD  
DOC PART: 001  
REVISION: B

MATERIAL NUMBER: SEE TABLE  
CUSTOMER: GENERAL MARKET  
SHEET NUMBER: 1 OF 1