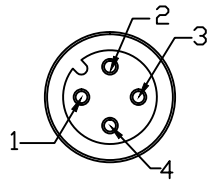
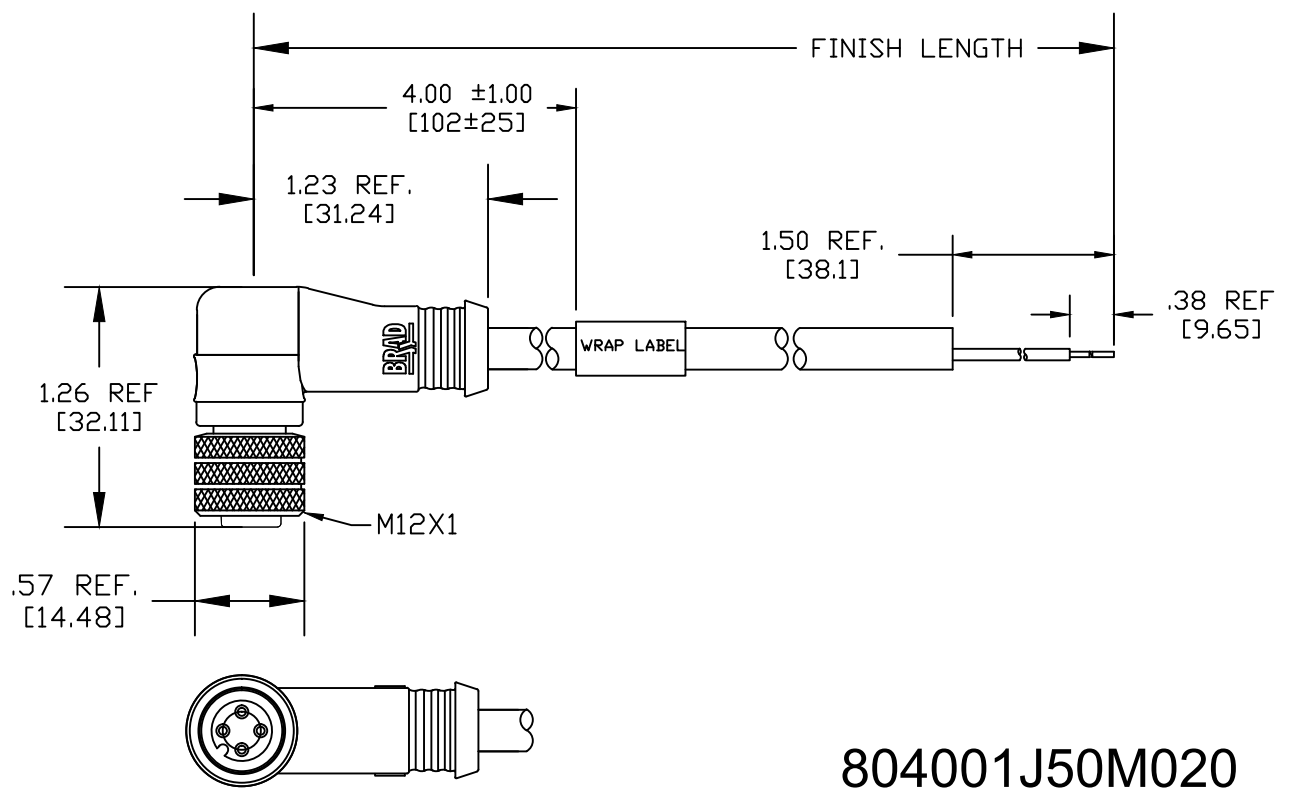


FEMALE INSERT  
FRONT VIEW



- 1 BROWN
- 2 WHITE
- 3 BLUE
- 4 BLACK



804001J50M020

Wire type  
22/4C AWG light  
Gray PVC

cable length  
M020----2 Meter  
M100----10 Meter

MECHANICAL  
CONTACT : GOLD/NICKEL OVER COPPER ALLOY  
INSERT : BLACK PUR  
O-RING: RED VITON  
COUPLING NUT: TEFLON COAT OVER NICKEL PLATED BRASS  
MOLDED BODY: GRAY PVC  
CABLE: 22 AWG 4 CONDUCTORS LIGHT GRAY PVC JACKET  
CABLE MARKING: RJ45 AWM STYLE 2937 VW-1 80C 300V E65859  
SWCC SHOWA CSA AWM II A 80C 300V FT1 LL40873  
22AWGX4C 1-BROWN 2-WHITE 3-BLUE 4-BLACK LF  
WRAP LABEL: MYLAR WHITE WITH BLACK LETTERS

ELECTRICAL  
VOLTAGE RATING: 250V AC/DC  
AMPERAGE: 4A

ENVIRONMENTAL  
PROTECTION: IP67 PER IEC 60529  
IP68 PER SPEC PS-120001-001  
OPERATION TEMP: 0°C~80°C

RELEASE EC NO: WEU2012-0002 DRWN: TWOLDEGE 2011/07/01 CHKD: VOU APPR: JFMURPHY 2012/04/17 REV	QUALITY SYMBOLS	GENERAL TOLERANCES (UNLESS SPECIFIED)		DIMENSION STYLE IN/MM		SCALE 1:1	DESIGN UNITS INCH	THIRD ANGLE PROJECTION
	$\nabla=0$ $\nabla/C=0$	4 PLACES	mm	INCH	DRAWN BY DATE	TITLE		
		3 PLACES	±---	±---	TWOLDEGE 2011/07/01	MICRO CHANGE ASSEMBLY		
		2 PLACES	±0.13	±0.010	CHECKED BY DATE	4-POLE FEMALE 90D		
		1 PLACE	±.25	±0.020	VOU ---	22/4 AWG LIGHT GRAY PVC		
		ANGULAR ±---°		APPROVED BY DATE	MOLEX MOLEX INCORPORATED			
		DRAFT WHERE APPLICABLE MUST REMAIN WITHIN DIMENSIONS		JFMURPHY 2012/04/17	DOCUMENT NO.		SHEET NO.	
				MATERIAL NO.	SD-120001-002		1 OF 1	
				SIZE A	THIS DRAWING CONTAINS INFORMATION THAT IS PROPRIETARY TO MOLEX INCORPORATED AND SHOULD NOT BE USED WITHOUT WRITTEN PERMISSION			