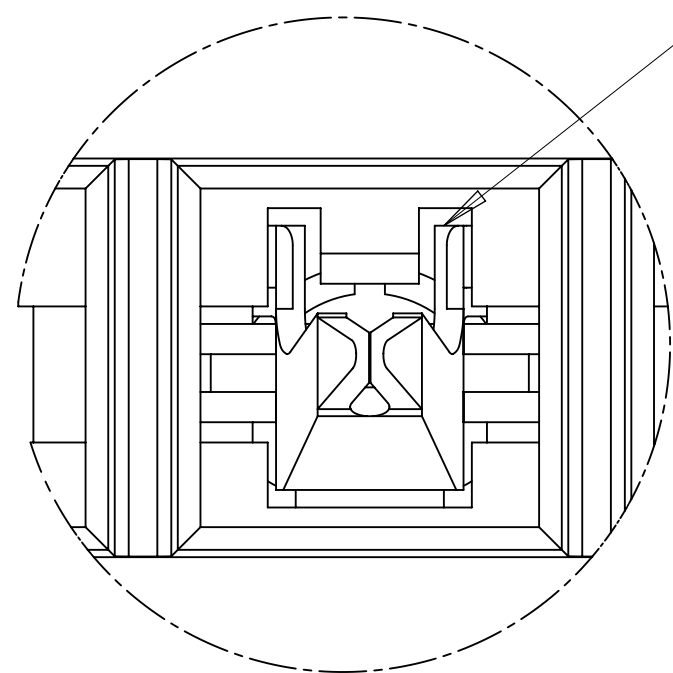
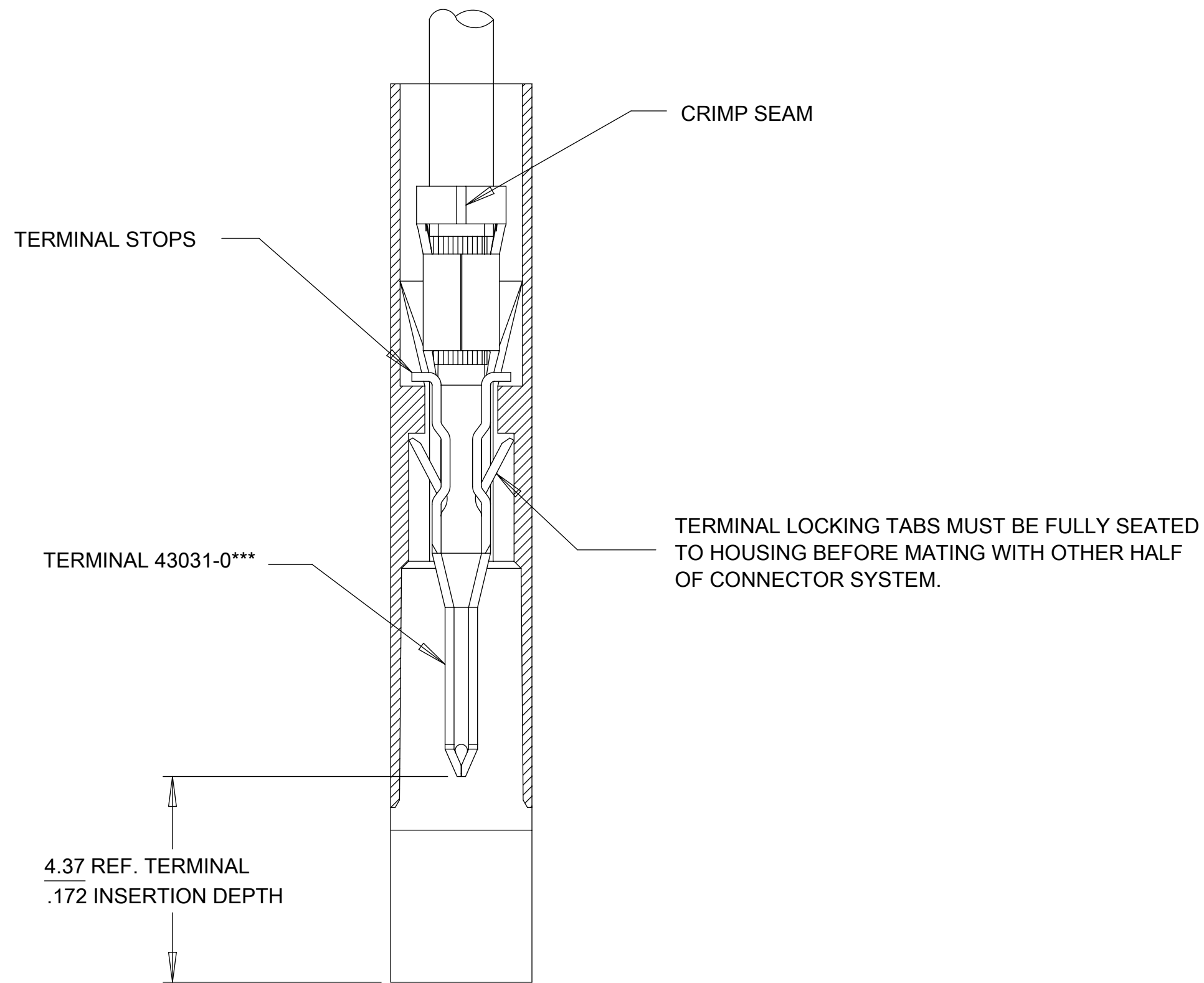


SEE DETAIL 1



TERMINAL ORIENTATION:  
STOP TABS AND CRIMP SEAM FACE UP.

DETAIL 1  
SCALE 20:1



SECTION Z-Z  
(SCALE 10:1)

<b>QUALITY SYMBOLS</b> 	THIS DRAWING CONTAINS INFORMATION THAT IS PROPRIETARY TO MOLEX ELECTRONIC TECHNOLOGIES, LLC AND SHOULD NOT BE USED WITHOUT WRITTEN PERMISSION										
	<b>RELEASED</b> EC NO: 118630 DRWN: MKIPPER CHKD: SSOUSEK REV / APPR: FSMITH	2017/06/27		2017/07/19		2017/07/28		GENERAL TOLERANCES (UNLESS SPECIFIED)		DIMENSION UNITS: MM/IN SCALE: 1:1	
		4 PLACES ±		±				DRWN BY: BANDERSON		DATE: 2012/05/25	
		3 PLACES ±		± 0.01				CHK'D BY: BANDERSON		DATE: 2012/05/25	
		2 PLACES ±		± 0.25		± 0.014		APPR BY: FSMITH		DATE: 2012/09/25	
		1 PLACES ±		± 0.35		±		DRAWING SIZE: C		THIRD ANGLE PROJECTION	
	0 PLACES ±		±		±		ANGULAR TOL ± 0.5		DRAFT WHERE APPLICABLE MUST REMAIN WITHIN DIMENSIONS		
	A		A		A		A		A		
	A		A		A		A		A		
	A		A		A		A		A		
A		A		A		A		A			

**molex**

MICRO-FIT (3.0) BMI SINGLE ROW PLUG  
PANEL MOUNT, 2-12 CIRCUIT

PRODUCT CUSTOMER DRAWING

SERIES	MATERIAL NUMBER	CUSTOMER
46625	SEE CHART	GENERAL MARKET
DOCUMENT NUMBER	DOC TYPE	DOC PART
SD-46625-001	PSD	001
SHEET NUMBER	2 OF 2	