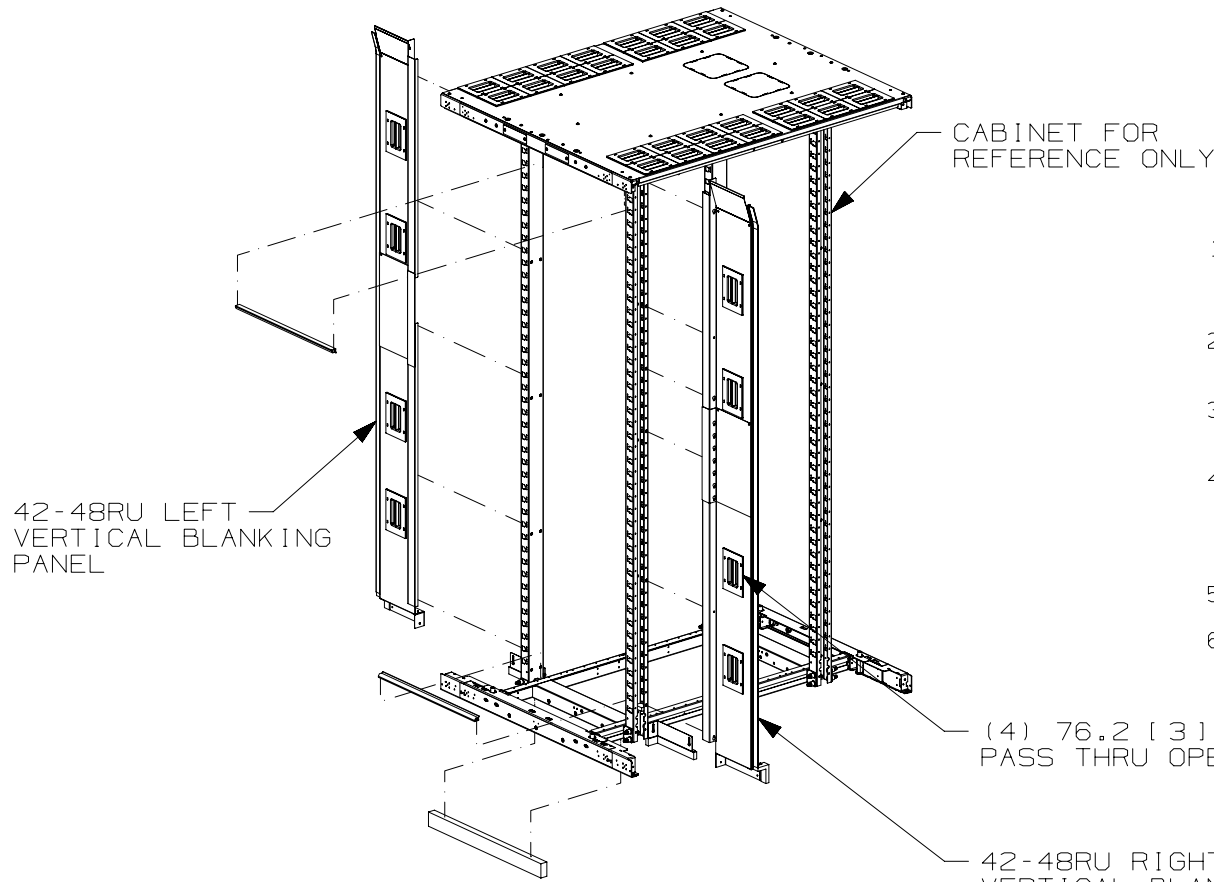


THIS COPY IS PROVIDED ON A RESTRICTED BASIS AND IS NOT TO BE USED IN ANY WAY DETRIMENTAL TO THE INTERESTS OF PANDUIT CORP.



PANDUIT PART NO.	WEIGHT
NVBPA7018B	18.8 LBS/EACH 8.5 Kg/EACH

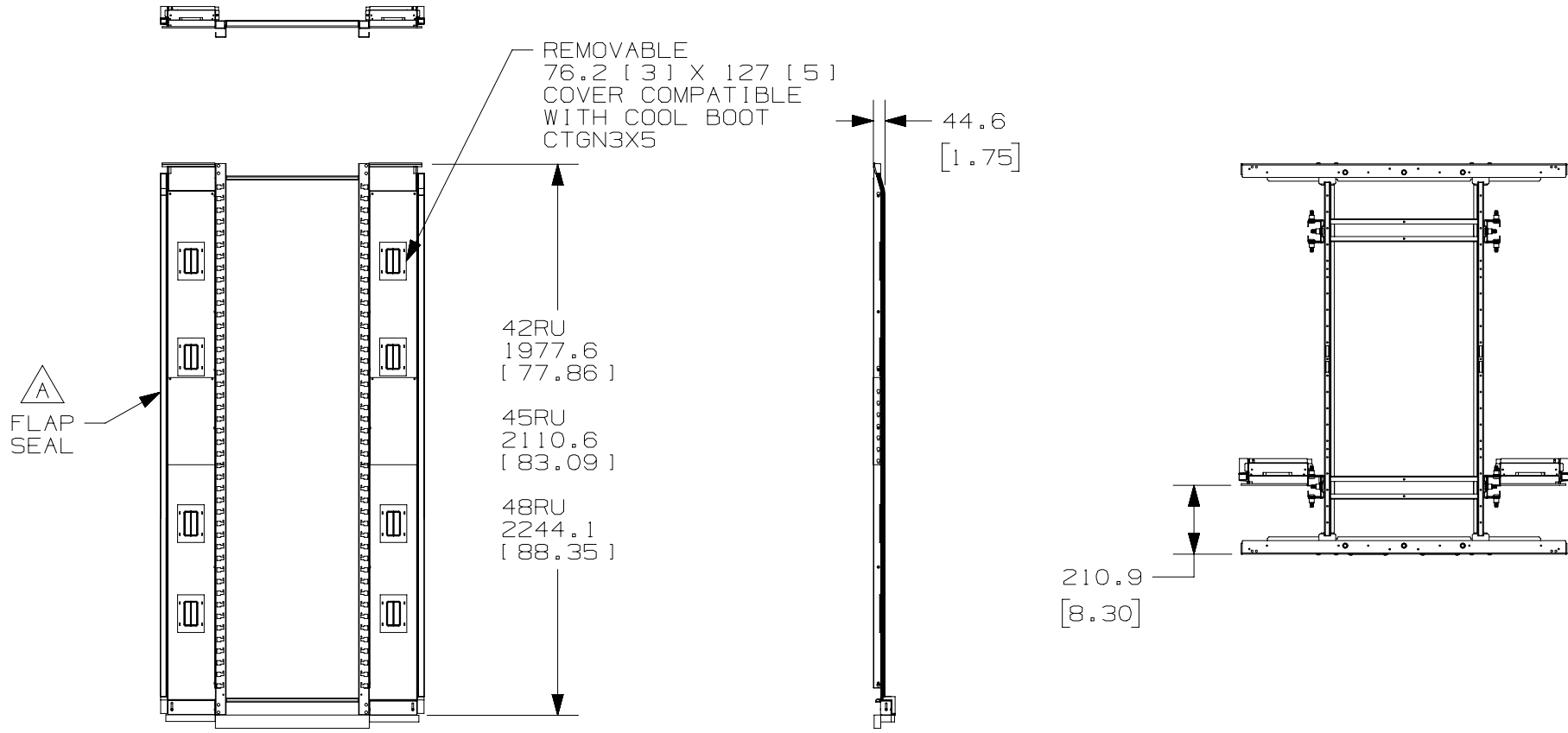
- VISIT OUR ON-LINE CATALOG AT WWW.PANDUIT.COM FOR A LIST OF CURRENT PARTS APPLICABLE FOR USE WITH THIS PRODUCT.
- PRIMARY DIMENSIONS ARE METRIC (mm). DIMENSIONS IN PARENTHESES ARE IN INCHES [IN].
- VERTICAL BLANKING PANELS BLOCK BYPASS AIR AND DIRECT COLD AIRFLOW THROUGH EQUIPMENT.
- PARTS SUPPLIED:
 1- 42-48RU RIGHT VERTICAL BLANKING PANEL
 1- 42-48RU LEFT VERTICAL BLANKING PANEL
 1- HARDWARE AND SEAL KIT
 1- INSTRUCTION SHEET
- FULLY BONDED STRUCTURE WHEN ASSEMBLED PER INSTRUCTIONS.
- COMPATIBLE WITH CTGN3X5 COOL BOOT.

APPLICATION VIEW -
CABINET NOT INCLUDED

REV	DATE	BY	CHK	APR	DESCRIPTION	ECN
01A	06-07-16	SSP	ANI	BRAP	A. FOAM SEAL ON BLANKING PANEL REVISED TO A FLAP SEAL	V09000PA
00A	06-25-14	PBS			RELEASED TO PRODUCTION	094094NF

TITLE AIR DAM FOR 1000mm WIDE 42-48RU N-TYPE CABINET (NVBPA7018B)				CUSTOMER DRAWING	
ITEM REVISION NAME 09V094NF/01				PANDUIT	
DATASET FILE NAME 09V094NF_DC/01A					
UNLESS OTHERWISE SPECIFIED, DIMENSIONAL TOLERANCES ARE:				MATERIAL: N/A	
INCHES X.X +/- 0.03 X.XX +/- 0.018 X.XXX +/- 0.007		METRIC - MILLIMETER X +/- 0.8 X.X +/- 0.46 X.XX +/- 0.18		ANGLE +/- 1°	
DRAWN BY PBS			DATE 06-25-14		CHK SCALE NONE
THIRD ANGLE PROJECTION				DRAWING NUMBER: 09V094NF	
SHT 1 OF 2				SIZE A	

THIS COPY IS PROVIDED ON A RESTRICTED BASIS AND IS NOT TO BE USED IN ANY WAY DETRIMENTAL TO THE INTERESTS OF PANDUIT CORP.



REV	DATE	BY	CHK	APR	DESCRIPTION	ECN
01A	06-07-16	SSP	ANI	BRAP	SEE SHEET 1 OF 2 FOR REVISIONS	V09000PA
00A	06-25-14	PBS			SEE SHEET 1 OF 2 FOR REVISIONS	09V094NF

TITLE AIR DAM FOR 1000mm WIDE 42-48RU N-TYPE CABINET (NVBPA7018B)				CUSTOMER DRAWING	
ITEM REVISION NAME 09V094NF/01				PANDUIT	
DATASET FILE NAME 09V094NF_DC/01A					
UNLESS OTHERWISE SPECIFIED, DIMENSIONAL TOLERANCES ARE:				MATERIAL: N/A	
INCHES X.X +/- 0.03 X.XX +/- 0.018 X.XXX +/- 0.007		METRIC - MILLIMETER X. +/- 0.8 X.X +/- 0.46 X.XX +/- 0.18		ANGLE +/- 1°	
DRAWN BY PBS		DATE 06-25-14		DRAWING NUMBER: 09V094NF	
CHK NONE		SCALE NONE		SHT 2 OF 2	
				SIZE A	