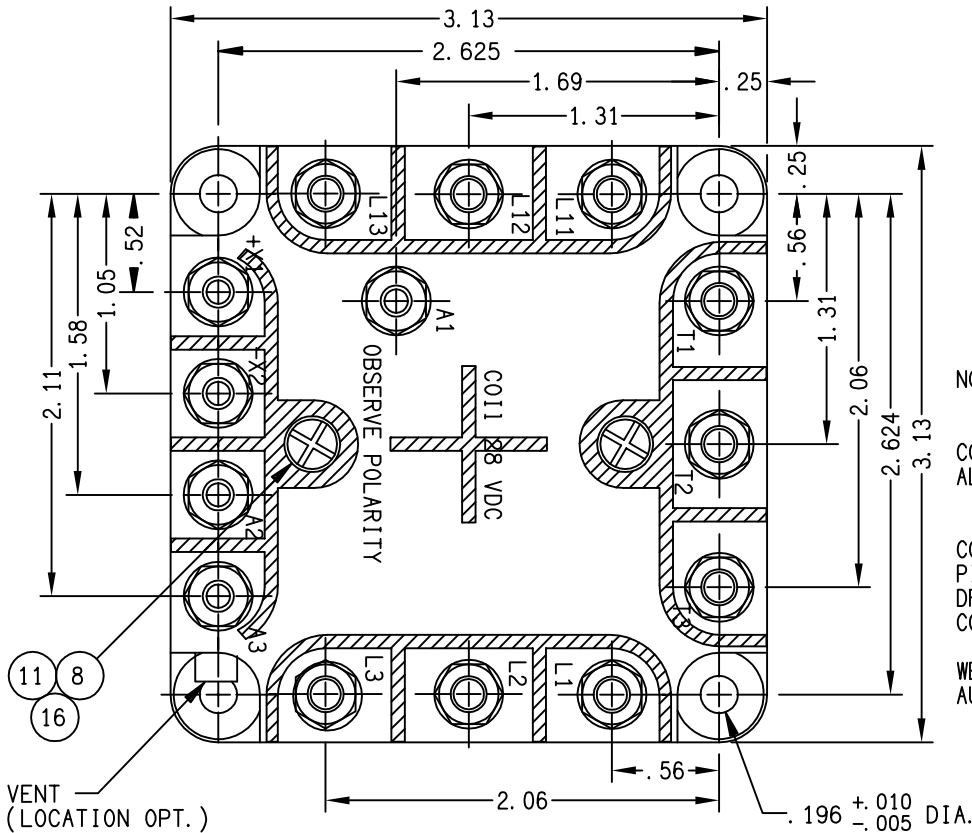
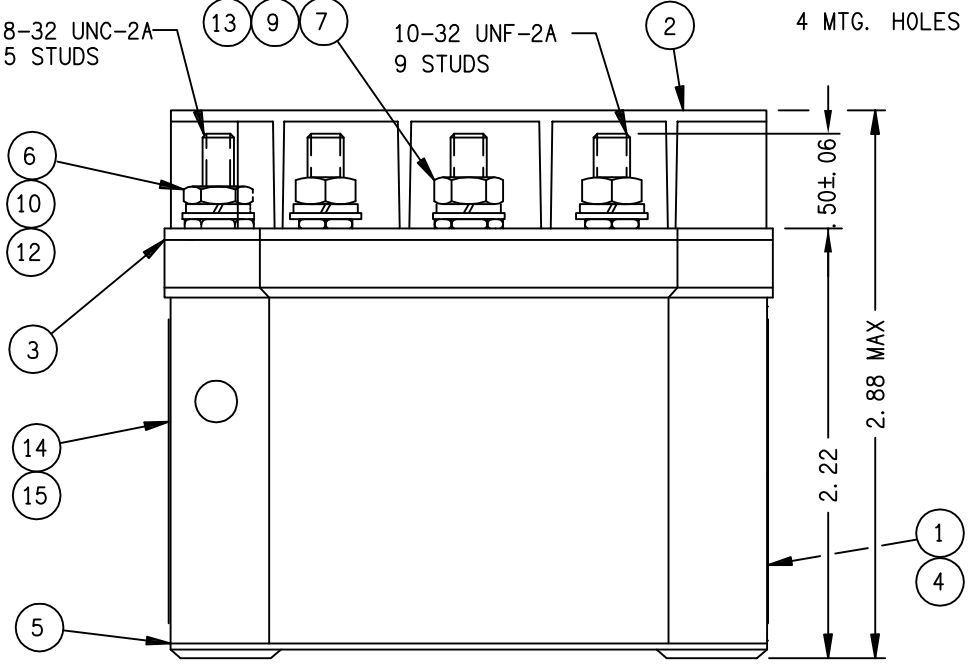
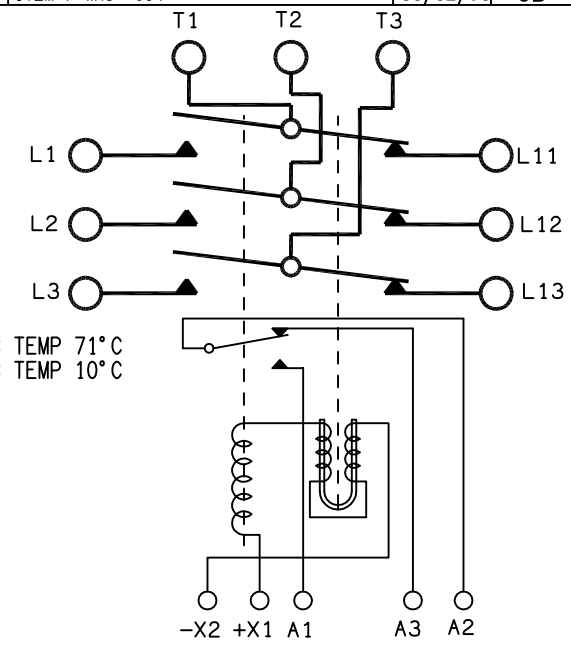


REVISIONS			RELEASED	
REV	ECN No.	DESCRIPTION	DATE	APPROVED
U	0154-02	QTY OF ITEM 12 WAS 8	02/10/11	CC
V	0439-02	CORRECTED ORIENTATION OF TERM. DESIG.	02/12/02	CC
W	0198-04	ADDED ITEM 16	04/03/18	CB
Y	0070-05	CHANGE SCREW FROM FLAT TO PHILLIPS	05/02/14	CB
AA	11-024834	ITEM 7 WAS -054	11/12/01	CB



- NOTES:  
 1. TERMINAL COVER STAMPED "DANGER HIGH VOLTAGE"  
 2. MAX AMBIENT TEMP TO BE 120° C

NOMINAL VOLTAGE 28 V DC  
 COIL 200 V AC, 400 HZ  
 CONTACTS 60 AMPS/PHASE  
 CONTACT RATING 70A/PHASE AT MAX AMB TEMP 71° C  
 ALTERNATE RES LOAD RATING 75A/PHASE AT MAX AMB TEMP 10° C  
 CONTACTS TPDT NC  
 PICKUP VOLTAGE 18 V MAX (HOT)  
 DROPOUT VOLTAGE 7 +0/-5.5 VOLTS  
 COIL CURRENT AT 29V (EST) MAX & 25° C .5 AMP  
 WEIGHT (MAX) 1 LB 8 1/2 OZ  
 AUX CONTACT RATING  
 INDUCTIVE 3 AMP  
 RESISTIVE 5 AMP  
 MOTOR 3 AMP



16	2	51701-310	WASHER			
15	1	39529-038	OVERLAY			
14	1	25265-001	PLATE-WIRING DIAGRAM			
13	9	51810-054	WASHER - LOCK NO. 10 SPLIT	MS35338-100	BRONZE	
12	5	51808-064	WASHER - LOCK NO. 8 X .307 MAX. X .047 SPLIT	MS35338-99	BRONZE	
11	2	51806-034	WASHER - LOCK NO. 6 INT.	MS35333-68	BRONZE	
10	5	51712-104	WASHER - 3/8 X 11/64 X .032	AN961-8	BRASS	
9	9	51702-844	WASHER - 3/8 X 13/64 X .032	AN961-10	BRASS	
8	2	51206-644	SCREW - 6-32 X 3/4 RD. HD.	MS35214-29	BRASS	
7	9	50410-174	NUT - 10-32 X 5/16 X 9/64 HEX.		BRASS	
6	5	50408-034	NUT - 8-32 X 5/16 X 3/32 HEX.		BRASS	
5	1	15106-020	CONTACTOR ASSEMBLY - PRIMARY			
4	1	39529-001	OVERLAY NAME PLATE			
3	1	13717-001	PLATE - BASE COVER			
2	1	12531-003	SHIELD - TERMINAL			
1	1	16043-001	PLATE - NAME			

FIND NO	QTY REQD	PART OR IDENTIFYING NO	NOMENCLATURE OR DESCRIPTION	FSCM NO	DRAWING OR SPECIFICATION	MATERIAL OR NOTE
UNLESS OTHERWISE SPECIFIED DIMENSIONS ARE IN INCHES TOLERANCES ON						
2 PL DEC.		3 PL DEC.	ANGLES			
± .03		± .010	± 1°			
MATERIAL			DR BY RCB 04/03/18	Hartman Division, 175 N. DIAMOND STREET MANSFIELD, OHIO 44902		
			CHK BY CB 04/03/18	CONTACTOR - TPDT NC		
			ENGR WR 04/03/22	093		
			MFG MB 04/03/25	DWG NO. B-138BH		
			SIZE C	REF TE P/N 1616028-1		
			CODE IDENT 74063			
			SCALE 1/1	SHEET		