



LAYOUT SHOWN AS EXAMPLE

Keying Shown as example

**CHARACTERISTICS**

- Standard : Based on MIL-DTL-38999 Series III
- Shell Material : Aluminium
- Shell Plating : Nickel
- Insulator : Thermoplastic
- Contacts : Copper Alloy
- Seals & Grommet : Silicon Elastomer
- Contact Plating : Gold over copper Alloy 0.8µm minimum
- Durability : 500 Mating cycles
- Delivered without Souriau contacts
- Temperature Range : -65°C to +200°C
- Salt Spray : 48 hours
- Mass : 29.17 g ± 10%

| Connector dimension |                 |
|---------------------|-----------------|
| Dim                 | Nominal         |
| A                   | 49.2±0.3        |
| B                   | 33.32+0.1/-0.15 |
| R                   | 32.5Max         |
| S                   | 46±0.4          |
| W                   | 3+0.9/-0.1      |
| VV THREAD           | M28x1-6g        |

SOURIAU shall not be liable for any non-conformity or damage due to a use of the Products which does not comply with the Specifications issued by either of the Parties or by a third party (professional recommendation, technical notice.)

| Country | Jurisdiction & Control List |
|---------|-----------------------------|
| FR      | Not Listed                  |

**PN: 8D719F35PDL**

|              |   |                                |   |
|--------------|---|--------------------------------|---|
| A            | 30-09-2016  | First Release                  |   |
| ISS          | DATE  | Latest modification - by       | MOD N°  |
| Designed By: |   | Date:                          | <b>CUSTOMER DRAWING</b>   |
| <b>TITLE</b> | <b>Aluminium Receptacle 8D series</b>                               |                                |   |
| SCALE        |   | General linear Tolerances: ±-- | NPRDS / PROJECT<br><b>859</b>   |
| NA           | <b>SOURIAU</b> <a href="http://WWW.SOURIAU.COM">WWW.SOURIAU.COM</a> |                                | This document is the property of SOURIAU it must not be reproduced or communicated without permission |
| FORMAT       | <b>A3</b>   |                                | <b>SOURIAU DRG N° 8D719F35PDL-C</b> SHEET 1/2   |

|               |                          |   |   |    |   |    |   |   |   |                                 |
|---------------|--------------------------|---|---|----|---|----|---|---|---|---------------------------------|
| BASIC SERIES: | 8D                       | 7 | - | 19 | F | 35 | P | D | L | Delivered W/O Contacts          |
| SHELL TYPE    | : Jam nut Receptacle     |   |   |    |   |    |   |   |   | ORIENTATION : D                 |
| CONTACT TYPE  | : Standard Crimp Contact |   |   |    |   |    |   |   |   | CONTACT TYPE : PIN(500 Matings) |
| SHELL SIZE    | : 19                     |   |   |    |   |    |   |   |   | CONTACT LAYOUT : 19-35          |
| PLATING       | : F = Nickel             |   |   |    |   |    |   |   |   |                                 |

Contact Layout



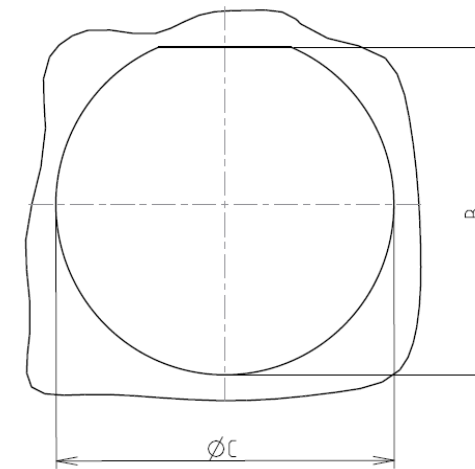
| Contacts<br>(Insert arrangement 19-35) |             |             |                     |             |             |
|--|-------------|-------------|---------------------|-------------|-------------|
| Contact position ID                    | Location    |             | Contact position ID | Location    |             |
|  | X-axis (mm) | Y-axis (mm) |                     | X-axis (mm) | Y-axis (mm) |
| 1                                      | -357 (9.07) | +090 (2.29) | 34                  | +045 (1.14) | +360 (9.14) |
| 2                                      | -357 (9.07) | +000 (0.00) | 35                  | +045 (1.14) | +270 (6.86) |
| 3                                      | -357 (9.07) | -090 (2.29) | 36                  | +045 (1.14) | +180 (4.57) |
| 4                                      | -279 (7.09) | +225 (5.72) | 37                  | +045 (1.14) | +090 (2.29) |
| 5                                      | -279 (7.09) | +135 (3.43) | 38                  | +045 (1.14) | +000 (0.00) |
| 6                                      | -279 (7.09) | +045 (1.14) | 39                  | +045 (1.14) | -090 (2.29) |
| 7                                      | -279 (7.09) | -045 (1.14) | 40                  | +045 (1.14) | -180 (4.57) |
| 8                                      | -279 (7.09) | -135 (3.43) | 41                  | +045 (1.14) | -270 (6.86) |
| 9                                      | -279 (7.09) | -225 (5.72) | 42                  | +045 (1.14) | -360 (9.14) |
| 10                                     | -201 (5.11) | +270 (6.86) | 43                  | +123 (3.12) | +315 (8.00) |
| 11                                     | -201 (5.11) | +180 (4.57) | 44                  | +123 (3.12) | +225 (5.72) |
| 12                                     | -201 (5.11) | +090 (2.29) | 45                  | +123 (3.12) | +135 (3.43) |
| 13                                     | -201 (5.11) | +000 (0.00) | 46                  | +123 (3.12) | +045 (1.14) |
| 14                                     | -201 (5.11) | -090 (2.29) | 47                  | +123 (3.12) | -045 (1.14) |
| 15                                     | -201 (5.11) | -180 (4.57) | 48                  | +123 (3.12) | -135 (3.43) |
| 16                                     | -201 (5.11) | -270 (6.86) | 49                  | +123 (3.12) | -225 (5.72) |
| 17                                     | -123 (3.12) | +315 (8.00) | 50                  | +123 (3.12) | -315 (8.00) |

| Contacts<br>(Insert arrangement 19-35) |             |             |                     |             |             |
|--|-------------|-------------|---------------------|-------------|-------------|
| Contact position ID                    | Location    |             | Contact position ID | Location    |             |
|  | X-axis (mm) | Y-axis (mm) |                     | X-axis (mm) | Y-axis (mm) |
| 18                                     | -123 (3.12) | +225 (5.72) | 51                  | +201 (5.11) | +270 (6.86) |
| 19                                     | -123 (3.12) | +135 (3.43) | 52                  | +201 (5.11) | +180 (4.57) |
| 20                                     | -123 (3.12) | +045 (1.14) | 53                  | +201 (5.11) | +090 (2.29) |
| 21                                     | -123 (3.12) | -045 (1.14) | 54                  | +201 (5.11) | +000 (0.00) |
| 22                                     | -123 (3.12) | -135 (3.43) | 55                  | +201 (5.11) | -090 (2.29) |
| 23                                     | -123 (3.12) | -225 (5.72) | 56                  | +201 (5.11) | -180 (4.57) |
| 24                                     | -123 (3.12) | -315 (8.00) | 57                  | +201 (5.11) | -270 (6.86) |
| 25                                     | -045 (1.14) | +360 (9.14) | 58                  | +279 (7.09) | +225 (5.72) |
| 26                                     | -045 (1.14) | +270 (6.86) | 59                  | +279 (7.09) | +135 (3.43) |
| 27                                     | -045 (1.14) | +180 (4.57) | 60                  | +279 (7.09) | +045 (1.14) |
| 28                                     | -045 (1.14) | +090 (2.29) | 61                  | +279 (7.09) | -045 (1.14) |
| 29                                     | -045 (1.14) | +000 (0.00) | 62                  | +279 (7.09) | -135 (3.43) |
| 30                                     | -045 (1.14) | -090 (2.29) | 63                  | +279 (7.09) | -225 (5.72) |
| 31                                     | -045 (1.14) | -180 (4.57) | 64                  | +357 (9.07) | +090 (2.29) |
| 32                                     | -045 (1.14) | -270 (6.86) | 65                  | +357 (9.07) | +000 (0.00) |
| 33                                     | -045 (1.14) | -360 (9.14) | 66                  | +357 (9.07) | -090 (2.29) |

| (Applicable to MIL-DTL-38999 only) |                 |                    |               |                |                  |            |
|------------------------------------|-----------------|--------------------|---------------|----------------|------------------|------------|
| Shell size                         | Arrangement no. | Number of contacts | Size contacts | Service rating | Contact location | Supersedes |
| 19                                 | -35             | 66                 | 22D           | M              | All              | MS27530-35 |

Panel cutout

JAM NUT RECEPTACLE (TYPE 7)



| Dim | Nominal       |
|-----|---------------|
| B   | 33.91+0/-0.25 |
| ØC  | 35.18+0.25/-0 |

SOURIAU shall not be liable for any non-conformity or damage due to a use of the Products which does not comply with the Specifications issued by either of the Parties or by a third party (professional recommendation, technical notice.)

| Country | Jurisdiction & Control List |
|---------|-----------------------------|
| FR      | Not Listed                  |

PN: 8D719F35PDL

|                |                                     |                            |   |
|----------------|-------------------------------------|----------------------------|---|
| A              | 30-09-2016                          | First Release              |   |
| ISS            | DATE                                | Latest modification - by   | MOD N°  |
| Designed By:   |                                     | Date:                      | <b>CUSTOMER DRAWING</b>   |
| <b>TITLE</b>   | Aluminium Receptacle 8D series      |                            |   |
| SCALE          |                                     | General linear Tolerances: | NPRDS / PROJECT   |
| NA             |                                     | ±--                        | <b>859</b>  |
| <b>SOURIAU</b> | <b>WWW.SOURIAU.COM</b>              |                            | This document is the property of SOURIAU it must not be reproduced or communicated without permission |
| FORMAT         | <b>SOURIAU DRG N° 8D719F35PDL-C</b> |                            | SHEET 2/2   |